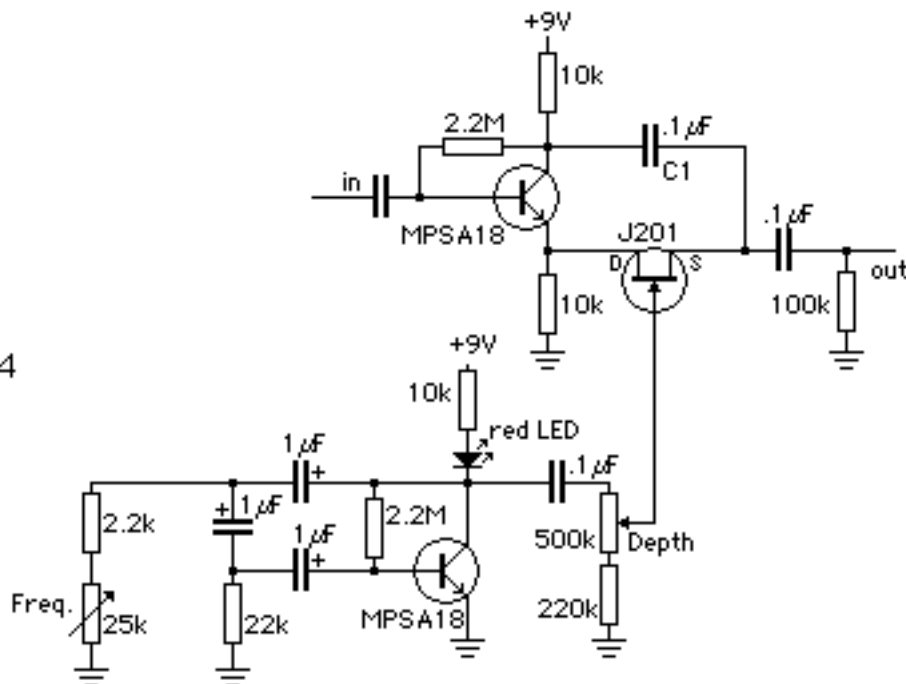


Wobbletron

v. 0.9
08/04



The Wobbletron is a simple vibrato circuit, using a pulsing LED phase shift oscillator by Darren Inwood and Rob Strand, and a single stage audio phase shift circuit. Very similar to the runoffgroove.com Phozzer, this makes a tremolo-like true vibrato for wobbly sounds. Due to the nature of this circuit, the vibrato is most noticeable at higher speeds, and less dramatic at low speeds. It's possible to add more audio phase shift stages for more dramatic effect. However, there seems to be a cumulative effect in the distortion of the FET. C1 can be changed in value for a different vibrato "tone".