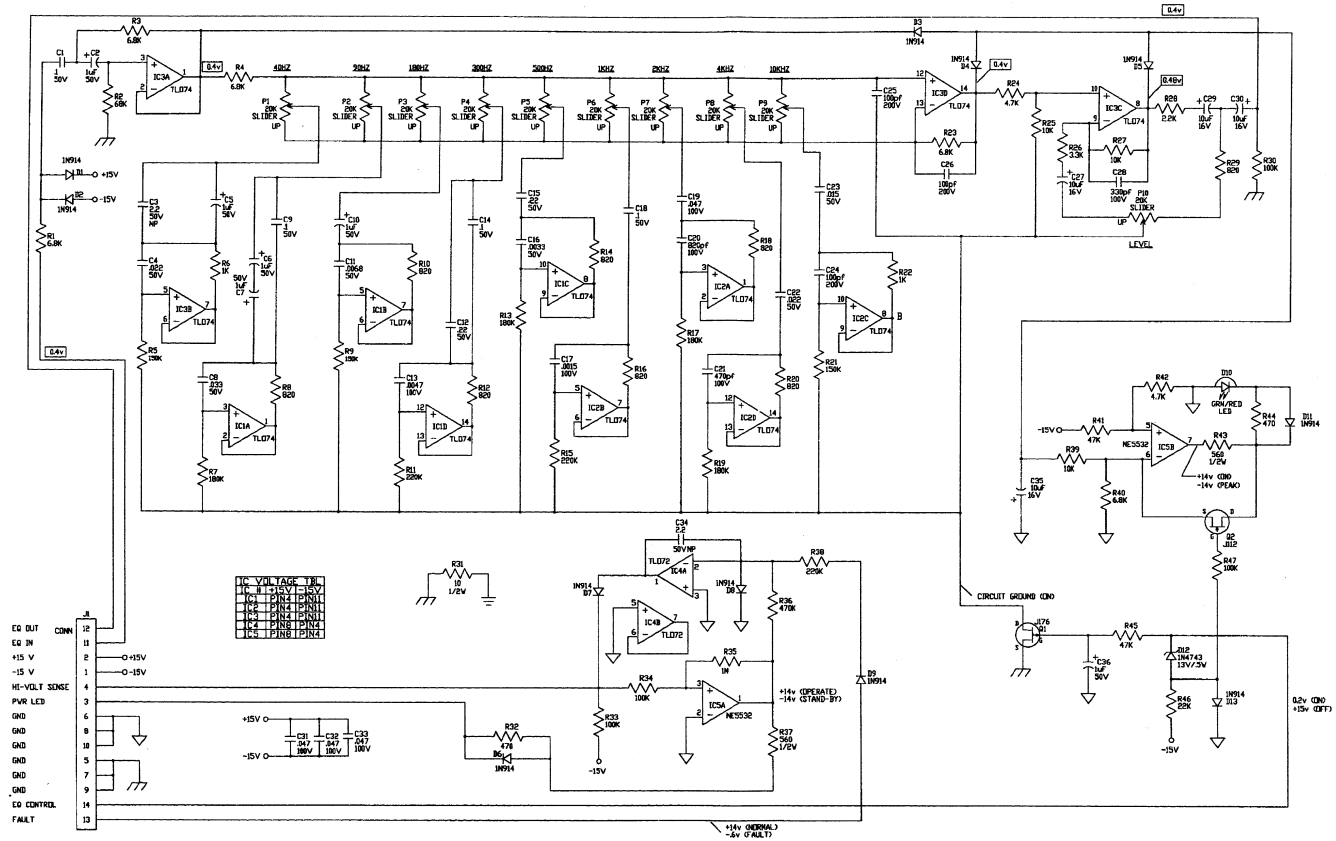


SVT-2 PRO GRAPHIC EQ

Ampeg



| IC VOLTAGE IN | |
|---------------|-----|
| V1 | 15V |
| V2 | 15V |
| V3 | 15V |
| V4 | 15V |
| V5 | 15V |
| V6 | 15V |
| V7 | 15V |
| V8 | 15V |
| V9 | 15V |
| V10 | 15V |
| V11 | 15V |
| V12 | 15V |
| V13 | 15V |
| V14 | 15V |
| V15 | 15V |
| V16 | 15V |
| V17 | 15V |
| V18 | 15V |
| V19 | 15V |
| V20 | 15V |
| V21 | 15V |
| V22 | 15V |
| V23 | 15V |
| V24 | 15V |
| V25 | 15V |
| V26 | 15V |
| V27 | 15V |
| V28 | 15V |
| V29 | 15V |
| V30 | 15V |
| V31 | 15V |
| V32 | 15V |
| V33 | 15V |
| V34 | 15V |
| V35 | 15V |
| V36 | 15V |
| V37 | 15V |
| V38 | 15V |
| V39 | 15V |
| V40 | 15V |
| V41 | 15V |
| V42 | 15V |
| V43 | 15V |
| V44 | 15V |
| V45 | 15V |
| V46 | 15V |
| V47 | 15V |
| V48 | 15V |
| V49 | 15V |
| V50 | 15V |
| V51 | 15V |
| V52 | 15V |
| V53 | 15V |
| V54 | 15V |
| V55 | 15V |
| V56 | 15V |
| V57 | 15V |
| V58 | 15V |
| V59 | 15V |
| V60 | 15V |
| V61 | 15V |
| V62 | 15V |
| V63 | 15V |
| V64 | 15V |
| V65 | 15V |
| V66 | 15V |
| V67 | 15V |
| V68 | 15V |
| V69 | 15V |
| V70 | 15V |
| V71 | 15V |
| V72 | 15V |
| V73 | 15V |
| V74 | 15V |
| V75 | 15V |
| V76 | 15V |
| V77 | 15V |
| V78 | 15V |
| V79 | 15V |
| V80 | 15V |
| V81 | 15V |
| V82 | 15V |
| V83 | 15V |
| V84 | 15V |
| V85 | 15V |
| V86 | 15V |
| V87 | 15V |
| V88 | 15V |
| V89 | 15V |
| V90 | 15V |
| V91 | 15V |
| V92 | 15V |
| V93 | 15V |
| V94 | 15V |
| V95 | 15V |
| V96 | 15V |
| V97 | 15V |
| V98 | 15V |
| V99 | 15V |
| V100 | 15V |

- NOTES**
- 1) CAUTION: SHOCK HAZARD!! THIS UNIT CONTAINS HAZARDOUS VOLTAGE. DISCONNECT POWER AND BE SURE POWER SUPPLY IS DISCHARGED BEFORE TOUCHING INTERNAL PARTS.
 - 2) UNLESS NOTED, RESISTOR VALUES IN OHMS, 1/4W-5% TOL. CAPACITOR VALUES IN MICROFARADS, 50V-10% TOL.
 - 3) VOLTAGES ARE MEASURED WITH 1 MEGOHM OSCILLOSCOPE AND 10 MEGOHM DIGITAL VOLTMETER. EQ. ON SLIDERS ARE IN CENTER POSITION.
 - 4) VOLTAGES IN RECTANGLES ARE RMS SIGNAL VOLTAGES WITH 0.4V IN. OTHER VOLTAGES ARE D.C. IN CONDITIONS STATED.
 - 5) CIRCUIT GROUND /// DIRTY GROUND ◇ CHASSIS GROUND +

| | | | | |
|------------------|-----------|-----|--------|--|
| 3 | | | | |
| 2 | 05/25/94 | LMA | | REV CHG TO REFLECT JUMPER CHG PER E130 |
| 1 | | | | |
| REV | DATE | BY | CHK'D | DESCRIPTION |
| SIGNATURES: | | | | DATE: |
| DRAWN: | ERW | | | 3/11/93 |
| CHK'D: | | | | |
| APP'D: | | | | |
| ORIGINAL ISSUED: | | | | |
| PROJECT NAME: | | | | SVT-2 PRO |
| DRAWING NAME: | | | | GRAPHIC EQ. SCHEMATIC |
| PLOT DATE: | 05/25/94 | | | |
| PLOT TIME: | 13:46:19 | | | |
| FILE NAME: | 728027-02 | | | |
| | SCALE: | 1:1 | SHEET: | 1 OF 1 |