


NOTES

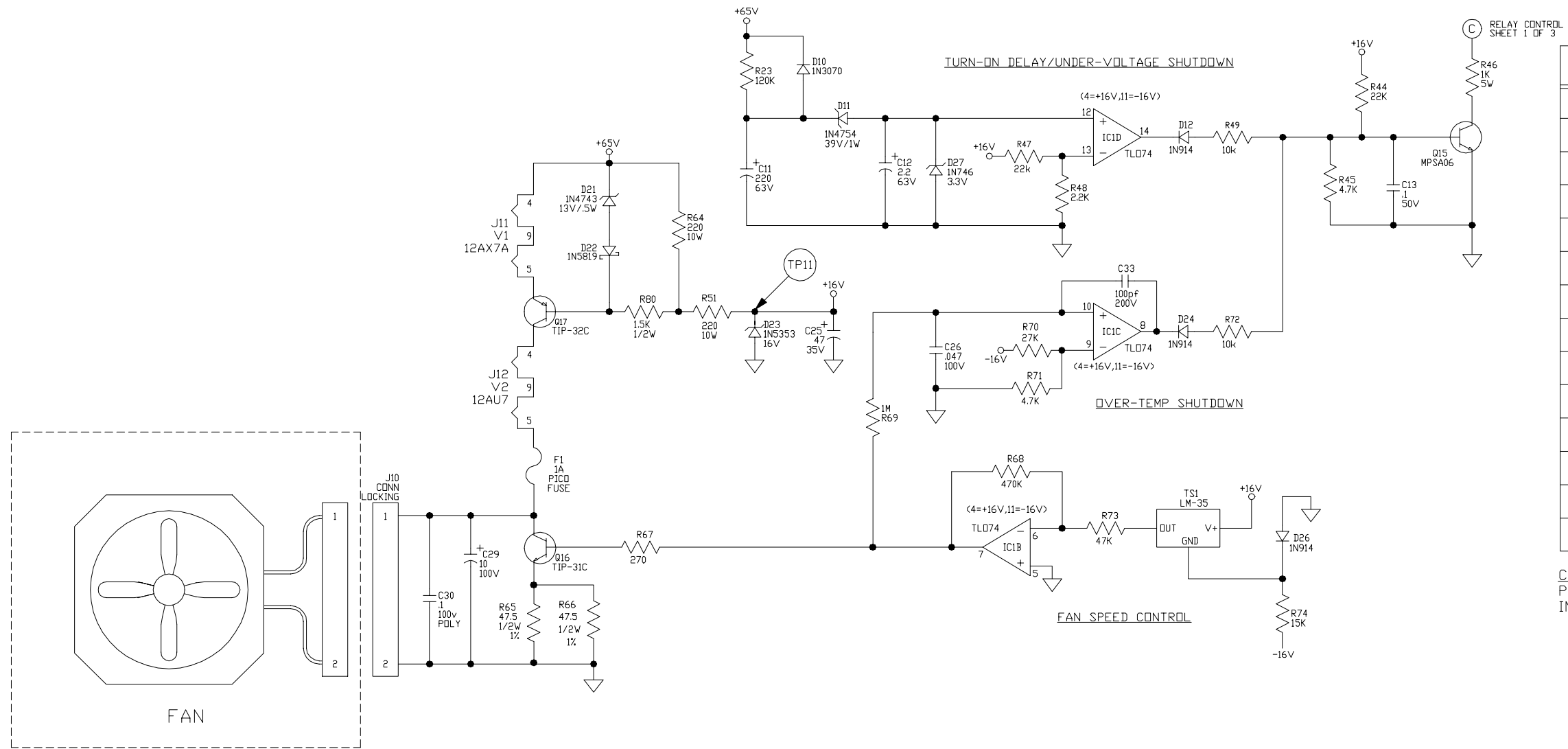
- 1) CAUTION: SHOCK HAZARD!! THIS UNIT CONTAINS HAZARDOUS VOLTAGE. DISCONNECT POWER AND BE SURE POWER SUPPLY IS DISCHARGED BEFORE TOUCHING INTERNAL PARTS.
- 2) UNLESS NOTED, RESISTOR VALUES IN OHMS, 1/4W-5% TOL. CAPACITOR VALUES IN MICROFARADS, 50V-10% TOL.
- 3) VOLTAGES ARE MEASURED WITH 1 MEGOHM OSCILLOSCOPE AND 10 MEGOHM DIGITAL VOLTMETER.
- 4) CHASSIS GROUND ∇ DIRTY GROUND ∇ SIGNAL GROUND ∇

CAUTION:
THIS SCHEMATIC IS PROVIDED FOR USE BY QUALIFIED PERSONNEL. TO AVOID RISK OF ELECTRIC SHOCK, REFER SERVICING TO QUALIFIED SERVICE PERSONNEL. DO NOT PERFORM ANY SERVICING BEYOND THAT EXPLAINED IN THE OPERATING INSTRUCTIONS.

REV	DATE	BY	CHK'D	DESCRIPTION
15	6/25/98	WFB		ADDED BLUE/WHT WIRE TO XFRMR PER E980015
1	08/03/93	SWR		REVERSED PINS 1 & 2 OF J10 & FAN.
2	11/23/93	ERW		CHANGES TO SHEET 2 OF 3
3				
4	05/16/94	LMA		REV CHANGE ONLY TO REFLECT PICTORIAL
5	01/03/95	ERW		CHANGED VALUE OF C27, R13, R28-31 & R40-43.
8	05/20/96	LMA		CHG REV TO REFLECT PICT PER E950030
9	08/14/96	LMA		REV CHG TO REFLECT PICT PER C.O
10	09/10/96	SWR		ADDED GOOP DRAWING TO PICTORIAL (SHT 3 OF 3) PER DCO #960354.
11	NOT USED			
12	11/13/96	REM		CHG'D REV TO MATCH PICT PER E960449.
13	09/10/97	SWR		CHANGED EXPORT TRANSFORMER WIRING ON SHEET 3 OF 3. PER ECO #970400.
14	5/14/98	REM		RADIAL CONVERSION PER E970587 & 980015

SIGNATURES:		DATE:	 11880 BORMAN DR. ST. LOUIS, MISSOURI 63146
DRAWN:	ERW	04/05/93	
CHK'D:			
APP'D:			
ORIGINAL ISSUED:			
PROJECT NAME:			SVT-3 PRO
DRAWING NAME:			PWR. AMP SCHEMATIC
PLOT DATE:	07/28/98	DRAWING NO.:	07S426-01
PLOT TIME:	09:16:47	SCALE:	1:1
FILE NAME:	42601HN_	SHEET:	1 OF 3

15	6/25/98	WFB		ADDED BLUE/WHT WIRE TO XFRMR PER E980015
----	---------	-----	--	--



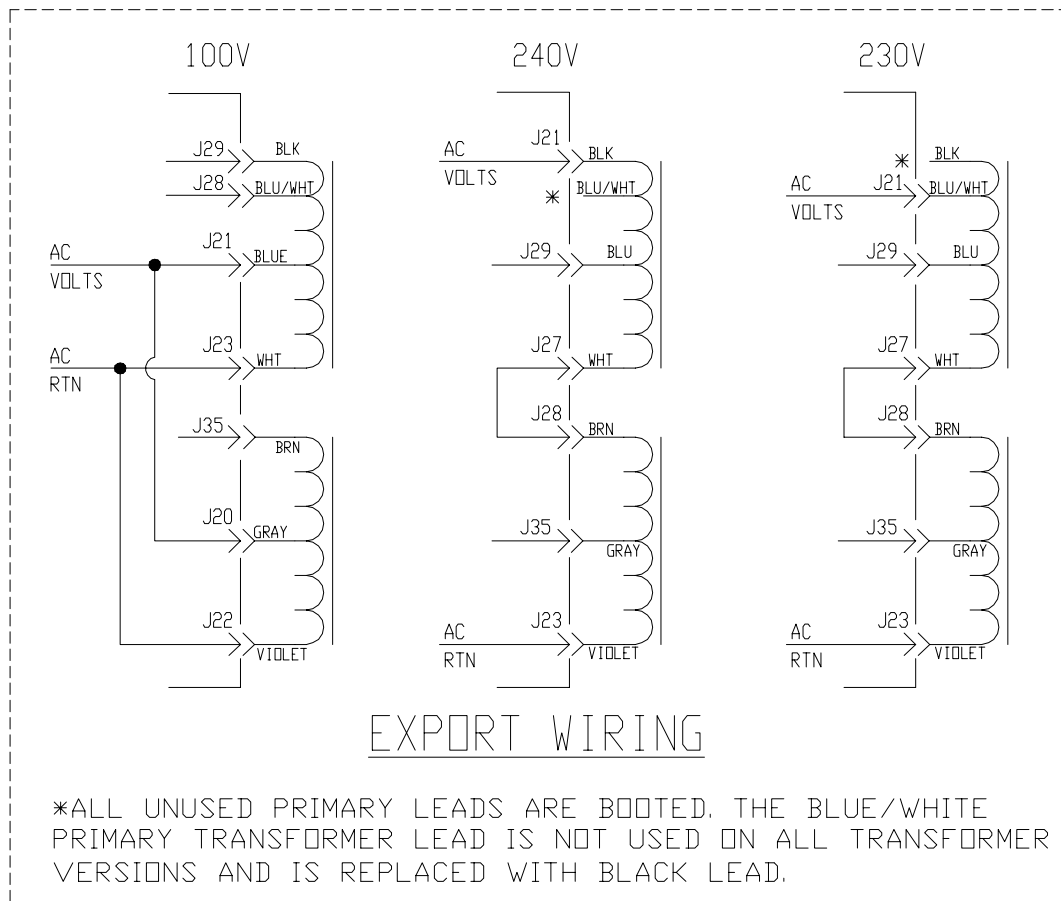
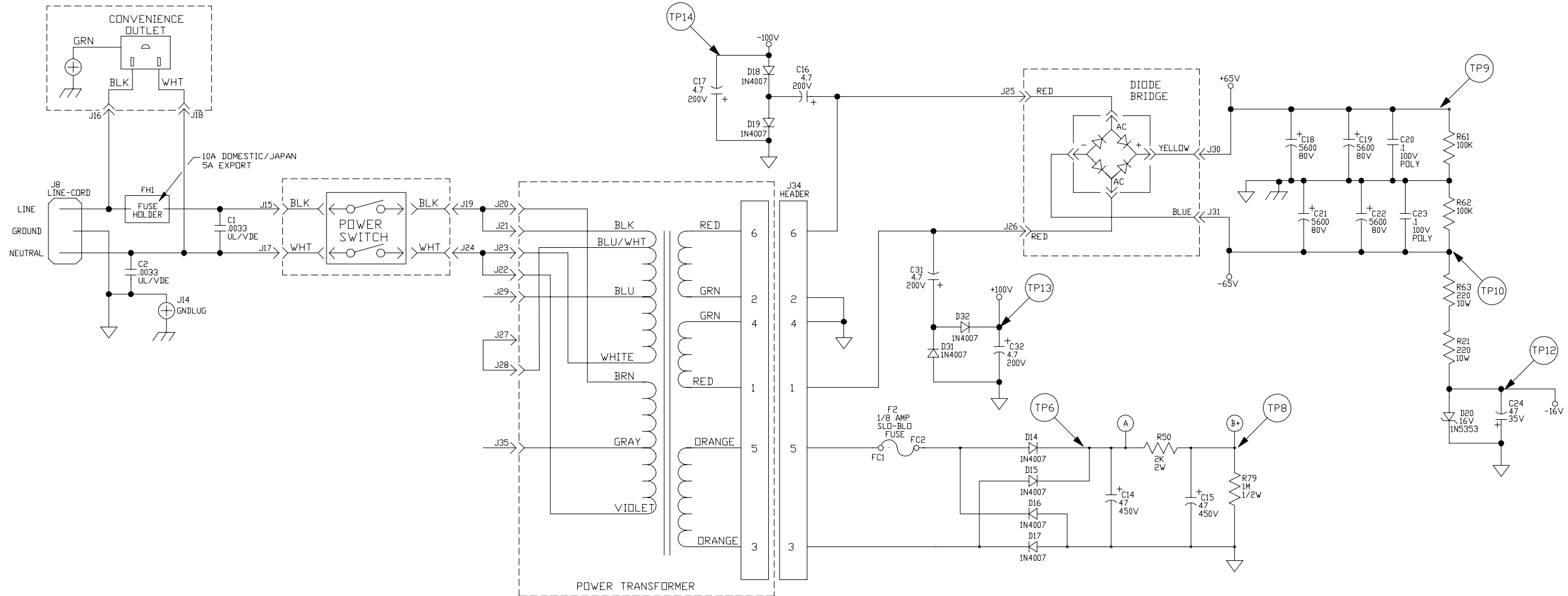
TEST POINTS	WAVEFORM	VOLTAGE (AC)	VOLTAGE (DC)
1		360mVrms	0V
2		23Vrms	160V
3		23Vrms	160V
4		21Vrms	165V
5		20Vrms	0V
6		2Vp-p	310V
7		20mVp-p	280V
8		50mVp-p	300V
9		250mVp-p	70V
10		250mVp-p	-70V
11		40mVp-p	16V
12		40mVp-p	-16V
13		20Vp-p	97V
14		20Vp-p	-97V

CONDITIONS:
 PLATE VOLTAGE CONTROL @ "10" (PIN 11 OPEN).
 INPUT SIGNAL: 1.0Vp-p SINE WAVE.

SEE SHT 1 FOR REV HISTORY

SIGNATURES:	DATE:	 11880 BORMAN DR. ST. LOUIS, MISSOURI 63146
DRAWN: ERW	4/5/93	
CHK'D:		
APP'D:		PROJECT NAME: SVT-3 PRO
ORIGINAL ISSUED:		DRAWING NAME: PWR. AMP SCHEMATIC
PLOT DATE: 07/30/98		DRAWING NO. 07S426-01
PLOT TIME: 09:16:47		REV: 15
FILE NAME: 42601HN_		SCALE: 1:1 SHEET: 2 OF 3

POWER SUPPLY



SEE SHT 1 FOR REV HISTORY

SIGNATURES:		DATE:	11880 BORMAN DR. ST. LOUIS, MISSOURI 63146
DRAWN:	ERW	04/05/93	
CHK'D:			PROJECT NAME:
APP'D:			SVT-3 PRO
ORIGINAL ISSUED:			DRAWING NAME:
PLOT DATE:	07/30/98		PWR. AMP SCHEMATIC
PLOT TIME:	09:16:47		DRAWING NO. 07S426-01
FILE NAME:	42601HN_		REV. 15
SCALE: 1:1		SHEET: 3 OF 3	