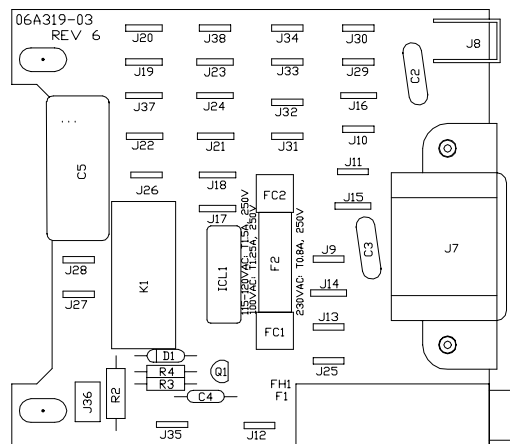


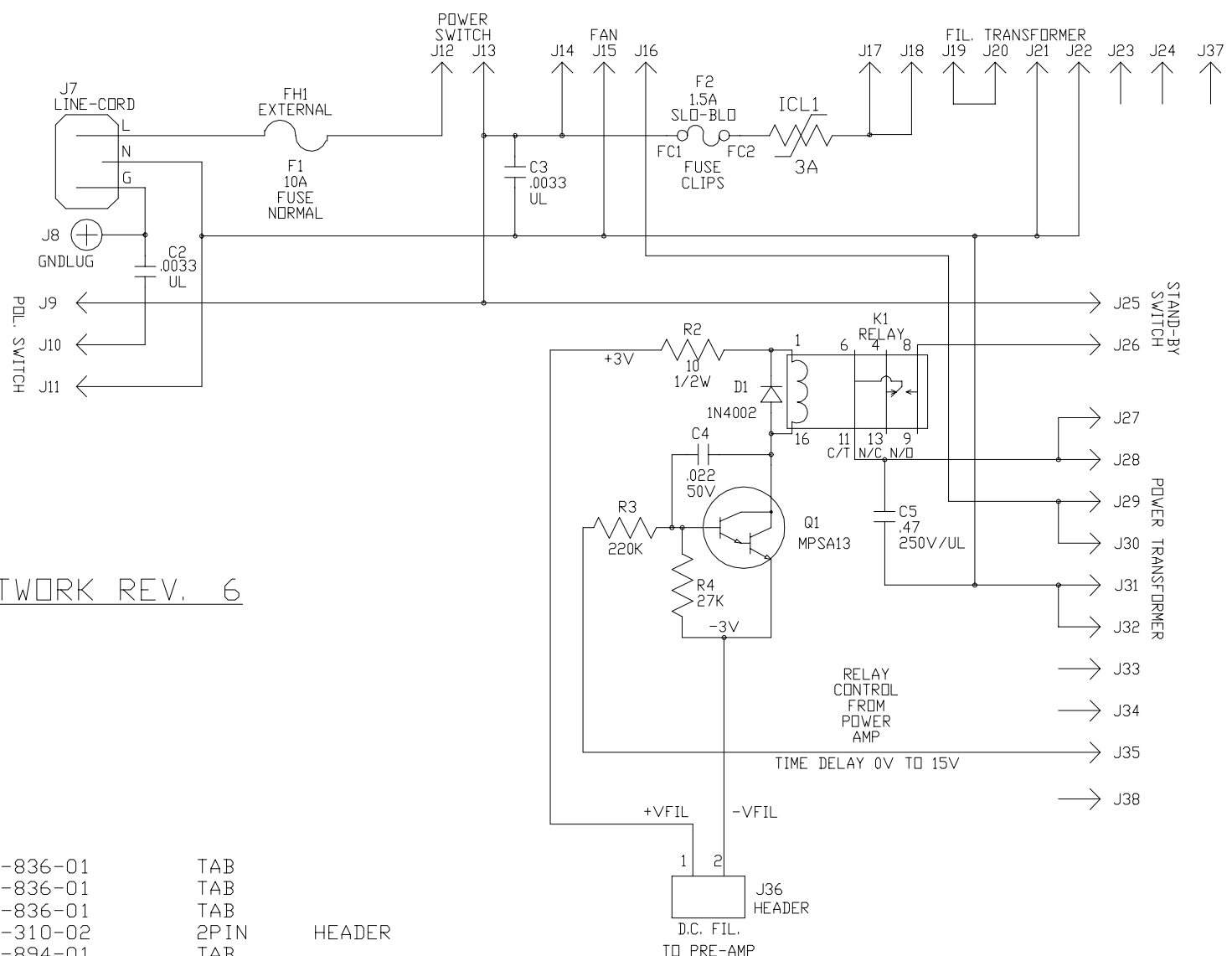
NOTES

- 1) CAUTION: SHOCK HAZARD!!  
THIS UNIT CONTAINS HAZARDOUS VOLTAGE. DISCONNECT POWER AND BE SURE POWER SUPPLY IS DISCHARGED BEFORE TOUCHING INTERNAL PARTS.
- 2) UNLESS NOTED, RESISTOR VALUES IN OHMS, 1/4W-5% TOL. CAPACITOR VALUES IN MICROFARADS, 50V-10% TOL.
- 3) VOLTAGES ARE MEASURED WITH 1 MEGOHM OSCILLOSCOPE AND 10 MEGOHM DIGITAL VOLTMETER.
- 4) CIRCUIT GROUND ⊕ DIRTY GROUND ∇ CHASSIS GROUND ⚡
- 5) GOOD CS PER USUAL PRACTICE.



( AC TERMINATION )

ARTWORK REV. 6



| DESIGNATOR | PART#     | DESCRIPTION         |      |           |                   |  |
|------------|-----------|---------------------|------|-----------|-------------------|--|
| C2         | 10-332-01 | 0.0033 UL           | J33  | 17-836-01 | TAB               |  |
| C3         | 10-332-01 | 0.0033 UL           | J34  | 17-836-01 | TAB               |  |
| C4         | 10A223-01 | 0.022 50V           | J35  | 17-836-01 | TAB               |  |
| C5         | 10-474-25 | 0.47 250V/UL        | J36  | 17-310-02 | 2PIN HEADER       |  |
| D1         | 21A402-01 | 1N4002              | J37  | 17-894-01 | TAB               |  |
| FC1        | 23-926-02 | FUSE CLIP           | J38  | 17-836-01 | TAB               |  |
| FC2        | 23-926-02 | FUSE CLIP           | K1   | 82-505-01 | RELAY             |  |
| FHI        | 23-346-01 | FUSE HOLDER         | Q1   | 96-013-01 | MPSA13            |  |
| ICL1       | 73-50-03  | 3A INRUSH LIMITER   | R2   | 77-100-01 | 10 1/2W           |  |
| J7         | 17-604-01 | LINE-CORD CONNECTOR | R3   | 76-224-01 | 220K              |  |
| J8         | 51-149-01 | GNDLUG              | R4   | 76-273-01 | 27K               |  |
| J9         | 17-894-01 | TAB                 | F1   | 23-310-01 | 10A FUSE NORMAL   |  |
| J10        | 17-894-01 | TAB                 | F2   | 23-308-05 | 1.5A FUSE SLO-BLD |  |
| J11        | 17-894-01 | TAB                 | PCB1 | 06A319-03 | PC BRD.           |  |
| J12        | 17-836-01 | TAB                 |      |           |                   |  |
| J13        | 17-836-01 | TAB                 |      |           |                   |  |
| J14        | 17-894-01 | TAB                 |      |           |                   |  |
| J15        | 17-894-01 | TAB                 |      |           |                   |  |
| J16        | 17-894-01 | TAB                 |      |           |                   |  |
| J17        | 17-894-01 | TAB                 |      |           |                   |  |
| J18        | 17-894-01 | TAB                 |      |           |                   |  |
| J19        | 17-894-01 | TAB                 |      |           |                   |  |
| J20        | 17-894-01 | TAB                 |      |           |                   |  |
| J21        | 17-894-01 | TAB                 |      |           |                   |  |
| J22        | 17-894-01 | TAB                 |      |           |                   |  |
| J23        | 17-894-01 | TAB                 |      |           |                   |  |
| J24        | 17-894-01 | TAB                 |      |           |                   |  |
| J25        | 17-836-01 | TAB                 | (2)  | 30-638-53 | SCREW             |  |
| J26        | 17-836-01 | TAB                 | (2)  | 30-700-01 | NUT               |  |
| J27        | 17-836-01 | TAB                 | (1)  | 23-346-11 | FUSE HOLDER CAP   |  |
| J28        | 17-836-01 | TAB                 |      |           |                   |  |
| J29        | 17-836-01 | TAB                 |      |           |                   |  |
| J30        | 17-836-01 | TAB                 |      |           |                   |  |
| J31        | 17-836-01 | TAB                 |      |           |                   |  |
| J32        | 17-836-01 | TAB                 |      |           |                   |  |

MISC. HARDWARE

| 3                |          |               |       |                                                  |
|------------------|----------|---------------|-------|--------------------------------------------------|
| 2                |          |               |       |                                                  |
| 1                | 11/14/97 | SWR           |       | ADDED J37, J38, & ICL1.<br>PER ECO #970682.      |
| REV              | DATE     | BY            | CHK'D | DESCRIPTION                                      |
| SIGNATURES:      |          | DATE:         |       | 11880 BORMAN DR.<br>ST. LOUIS, MISSOURI<br>63146 |
| DRAWN:           | SR       | 12/20/96      |       |                                                  |
| CHK'D:           | GM       | 04/07/97      |       | PROJECT NAME:                                    |
| APP'D:           | GM       | 04/07/97      |       | SVT-CL                                           |
| ORIGINAL ISSUED: |          | 04/08/97      |       | DRAWING NAME:                                    |
| PLOT DATE:       |          | 11/14/97      |       | AC-TERM BRD.                                     |
| PLOT TIME:       |          | 08:08:48      |       | DRAWING NO. 07P319-04                            |
| FILE NAME:       |          | 31904p1_      |       | REV. 1                                           |
| SCALE: 1:1       |          | SHEET: 1 OF 1 |       |                                                  |