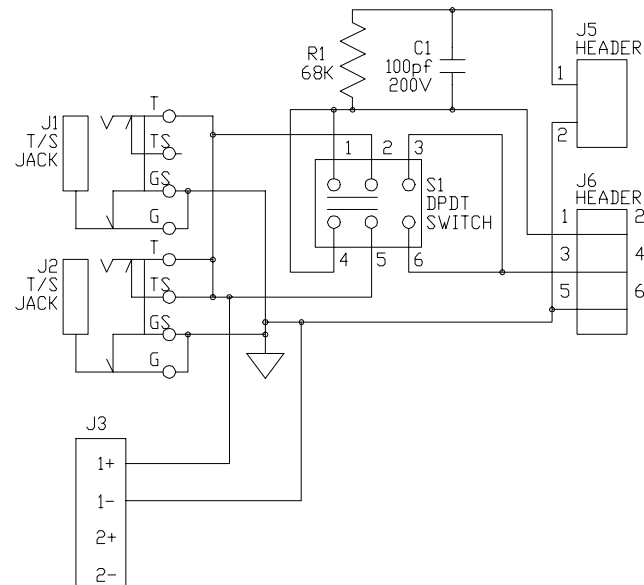


ARTWORK REV. 1



DESIGNATOR	PART#	DESCRIPTION
C1	10A101-21	100pf 200V
J1	39-116-51	T/S JACK
J2	39-116-51	T/S JACK
J3	39-931-21	NEUTRIK RA PC SPEAKER
J5	17-310-02	2PIN HEADER
J6	17-195-06	6PIN HEADER
R1	76-683-01	68K
S1	88-214-02	SWITCH
	06A319-14	PRINTED CIRCUIT BOARD

NOTES

- 1) CAUTION: SHOCK HAZARD!!
THIS UNIT CONTAINS HAZARDOUS VOLTAGE. DISCONNECT POWER AND BE SURE POWER SUPPLY IS DISCHARGED BEFORE TOUCHING INTERNAL PARTS.
- 2) UNLESS NOTED, RESISTOR VALUES IN OHMS, 1/4W-5% TOL. CAPACITOR VALUES IN MICROFARADS, 50V-10% TOL.
- 3) VOLTAGES ARE MEASURED WITH 1 MEGOHM OSCILLOSCOPE AND 10 MEGOHM DIGITAL VOLTMETER.
- 4) CIRCUIT GROUND \perp DIRTY GROUND ∇ CHASSIS GROUND \uparrow
- 5) GOOD C5 PER USUAL PRACTICE.

3				
2				
1	07/08/97	DLS		ART TO REV 1 PER E970217
REV	DATE	BY	CHK'D	DESCRIPTION
SIGNATURES:		DATE:		11880 BORMAN DR. ST. LOUIS, MISSOURI 63146
DRAWN: SWR		04/02/97		
CHK'D:				PROJECT NAME:
APP'D:				SVT-CL
ORIGINAL ISSUED:		04/02/97		DRAWING NAME:
PLOT DATE:		07/08/97		ALTERNATE SPKR. BD.
PLOT TIME:		11:36:30		DRAWING NO. 07P319-14
FILE NAME:		31914p1_		REV. 1
		SCALE: 1:1		SHEET: 1 OF 1