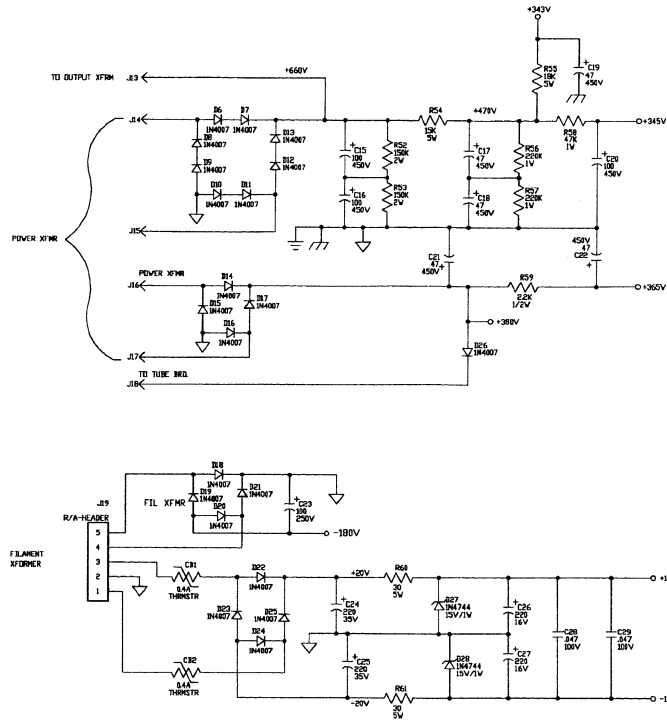


SVT PRO POWER AMP

Ampeg



NOTES

- 1) CAUTION: SHOCK HAZARD!!
THIS UNIT CONTAINS HAZARDOUS VOLTAGE. DISCONNECT POWER AND BE SURE POWER SUPPLY IS DISCHARGED BEFORE TOUCHING INTERNAL PARTS.
- 2) UNLESS NOTED, RESISTOR VALUES IN OHMS, 1/4W-5% TOL. CAPACITOR VALUES IN MICROFARADS, 50V-10X TOL.
- 3) VOLTAGES ARE MEASURED WITH 1 MEGOHM OSCILLOSCOPE AND 10 MEGOHM DIGITAL VOLTMETER.
- 4) VOLTAGES IN RECTANGLES ARE RMS SIGNAL VOLTAGES WITH 0.4V IN. OTHER VOLTAGES ARE D.C. IN CONDITIONS STATED.
- 5) CIRCUIT GROUND /// DIRTY GROUND ∇ CHASSIS GROUND ∇

4	05/16/94	LMA		REV CHG TO REFLECT JUMPER CHG PER E150
3	05/05/94	REM		CHANGED VALUES OF R24, R25, R32, R33 PER E3190
2				REV. 2 NOT USED
1	12/01/93	REM		CHANGED R62 & R71 FROM 220 OHM TO 150 OHM AND R73 & R64 FROM 75 OHM TO 150 OHM.
REV	DATE	BY	CHK'D	DESCRIPTION
SIGNATURES:		DATE:		1990 NORMAN OIL ST. LOUIS, MISSOURI 80198
DRAWN:	ERW	03/11/93		
CHK'D:	GM	03/11/93		PROJECT NAME:
APP'D:	GM	03/11/93		SVT-2 PRO
ORIGINAL ISSUED:		03/11/93		DRAWING NAME:
PLOT DATE:		06/16/94		PWR AMP SCHEMATIC
PLOT TIME:		14:31:47		DRAWING NO. D7S419-03 REV. 4
FILE NAME:	D:\419\41903	SCALE:		SHEET 2 OF 2