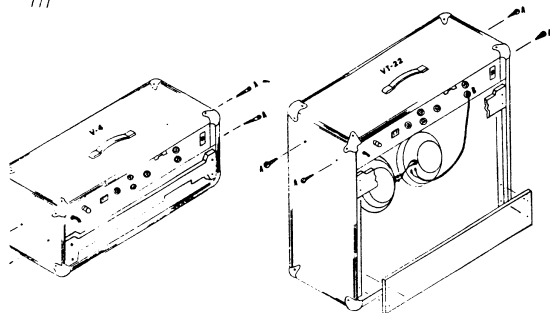
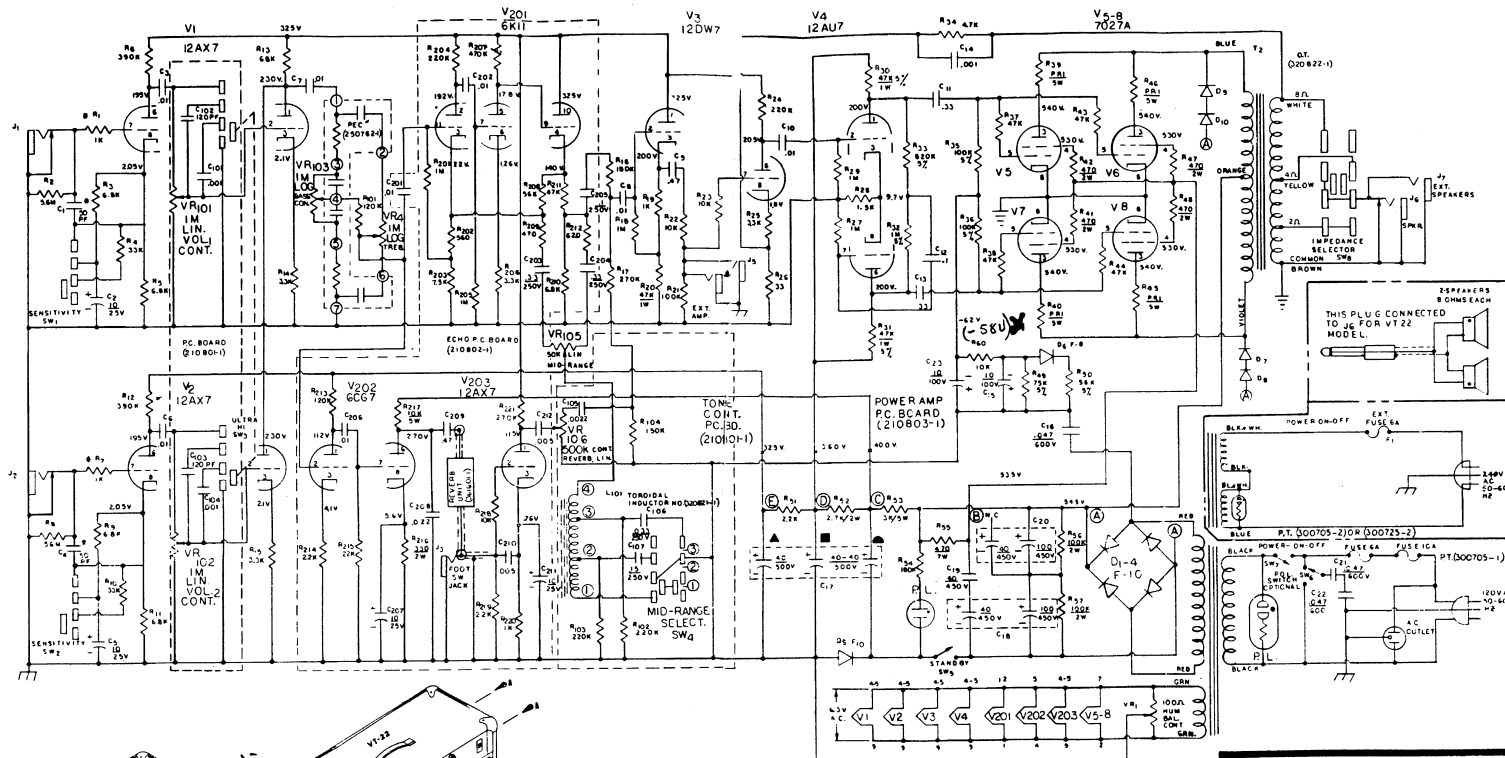


MODEL V4/VT22 SCHEMATIC DIAGRAM (REV. G)



**MECHANICAL DISASSEMBLY**

To remove amplifier chassis from cabinet for servicing — unfasten the four screws marked "A" and unplug speaker cable from jack "B" as shown. Then extract the chassis from the rear of the cabinet.

To remove amplifier chassis from cabinet for servicing — unfasten the four screws marked "A" and unplug speaker cable from jack "B" as shown. Then extract the chassis from the rear of the cabinet.

**NOTES: UNLESS OTHERWISE SPECIFIED**

1. Capacitance values are in microfarads, 10%, 400V.
2. Resistors are 1/2W, 10%, composition.
3. DC voltages taken with no signal applied using a 20,000 ohm/volt voltmeter.
4. DC voltages are positive with respect to chassis ground.
5. \* R1, R7, C1, C4 will not appear in some units.
6. Actual circuit may vary slightly due to normal production changes.
7. If transformer 300725-1 is used no connection is required for Violet / Orange, Green / Yellow, and Blue / Yellow leads.

*\*When using 6550 outputs based bias to -58V*

**WARNING**

For maximum safety, reliability and performance, all parts must be replaced by those having identical specifications. Under no circumstances may the original design be modified or altered without permission from the Ampeg Company.