

NOTES
 1) CAUTION: SHOCK HAZARD!! THIS UNIT CONTAINS HAZARDOUS VOLTAGE. DISCONNECT POWER AND BE SURE POWER SUPPLY IS DISCHARGED BEFORE TOUCHING INTERNAL PARTS.
 2) UNLESS NOTED, RESISTOR VALUES IN OHMS, 1/4W-5% TOL. CAPACITOR VALUES IN MICROFARADS, 50V-10% TOL.
 3) VOLTAGES ARE MEASURED WITH 1 MEGOHM OSCILLOSCOPE AND 10 MEGOHM DIGITAL VOLTMETER.
 4) CIRCUIT GROUND \perp SWITCH GROUND ∇ CHASSIS GROUND \perp

CAUTION:
 THIS SCHEMATIC IS PROVIDED FOR USE BY QUALIFIED PERSONNEL. TO AVOID RISK OF ELECTRIC SHOCK, REFER SERVICING TO QUALIFIED SERVICE PERSONNEL. DO NOT PERFORM ANY SERVICING BEYOND THAT EXPLAINED IN THE OPERATING INSTRUCTIONS.

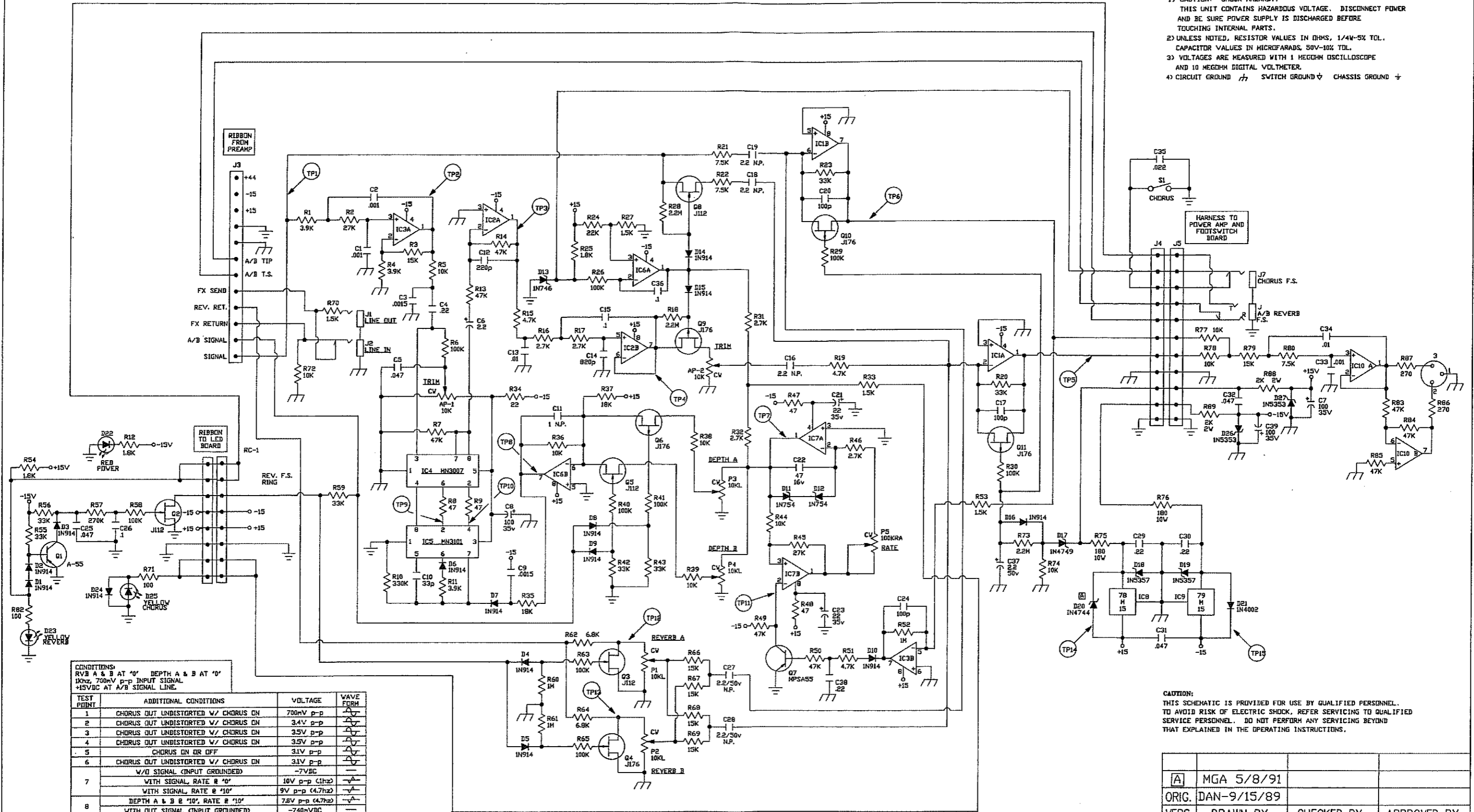
ASS'Y #07-526-01

CHANNEL A			CHANNEL B		
TEST POINT	VOLTAGE	WAVE FORM	TEST POINT	VOLTAGE	WAVE FORM
1	125mV p-p		1		
2	420mV p-p		2		
3	4.2V p-p		3		
4	.7mV p-p		4		
5			5	4.6V p-p	
6			6	9.8Vp-p 3VDC	
7			7	10Vp-p 21VDC	
8			8	5V p-p	
9			9	7.4V p-p	
10	640mV p-p		10	1V p-p	
11	0V p-p		11	-12v p-p	
12	+12V p-p		12	0V p-p	
13	9Vp-p 2.2VDC		13	40Vp-p 23VDC	
14	250mV p-p		14	700V p-p	
15	+13V p-p		15	+13V p-p	
16	-13.6V p-p		16	-13.6V p-p	

ORIG. DAN-8/22/89		
VERS. DRAWN BY	CHECKED BY	APPROVED BY
PAGE # 1 of 3	DRAWING # 16-036-51	
DESCRIPTION: VH-140C PRE-AMP SCHEM		

SLM ELECTRONICS
 11880 BORMAN DR.
 ST. LOUIS, MO 63146

- NOTES**
- 1) CAUTION: SHOCK HAZARD!!! THIS UNIT CONTAINS HAZARDOUS VOLTAGE. DISCONNECT POWER AND BE SURE POWER SUPPLY IS DISCHARGED BEFORE TOUCHING INTERNAL PARTS.
 - 2) UNLESS NOTED, RESISTOR VALUES IN OHMS, 1/4W-5% TOL. CAPACITOR VALUES IN MICROFARADS, 50V-10% TOL.
 - 3) VOLTAGES ARE MEASURED WITH 1 MEGOHM OSCILLOSCOPE AND 10 MEGOHM DIGITAL VOLTMETER.
 - 4) CIRCUIT GROUND ∇ SWITCH GROUND ∇ CHASSIS GROUND ∇



CONDITIONS:
RVB A & B AT "0" DEPTH A & B AT "0"
1KHz, 700mV p-p INPUT SIGNAL
+15VDC AT A/B SIGNAL LINE.

TEST POINT	ADDITIONAL CONDITIONS	VOLTAGE	WAVE FORM
1	CHORUS OUT UNDISTORTED W/ CHORUS ON	700mV p-p	
2	CHORUS OUT UNDISTORTED W/ CHORUS ON	3.4V p-p	
3	CHORUS OUT UNDISTORTED W/ CHORUS ON	3.5V p-p	
4	CHORUS OUT UNDISTORTED W/ CHORUS ON	3.5V p-p	
5	CHORUS ON OR OFF	3.1V p-p	
6	CHORUS OUT UNDISTORTED W/ CHORUS ON W/O SIGNAL (INPUT GROUNDED)	-7VDC	
7	WITH SIGNAL, RATE @ "0"	10V p-p (1Hz)	
	WITH SIGNAL, RATE @ "10"	9V p-p (4.7Hz)	
8	DEPTH A & B @ "10", RATE @ "10"	7.8V p-p (4.7Hz)	
	WITH OUT SIGNAL (INPUT GROUNDED)	-7.40mVDC	
9	DEPTH A & B @ "0"	15Vp-p -7.5VDC	
	DEPTH A & B @ "10", RATE @ "0"	15Vp-p -7.5VDC	
10	TEST POINT 9 (INVERTED)		
	WITH SIGNAL	15mV DC	
11	WITH OUT SIGNAL	-14.4VDC	
	10Vp-p SIG IN @ RVB INPUT RVB A & B @ "10", A/B SIG = +15VDC	60mV p-p	
12	A/B SIGNAL = -15VDC	4V p-p	
	10Vp-p SIG IN @ RVB INPUT RVB A & B @ "10", A/B SIG = +15VDC	4V p-p	
13	A/B SIGNAL = -15VDC	190mV p-p	
	NO CONDITION	+15VDC	
14	NO CONDITION	+15VDC	
15	NO CONDITION	-15VDC	

CAUTION:
THIS SCHEMATIC IS PROVIDED FOR USE BY QUALIFIED PERSONNEL.
TO AVOID RISK OF ELECTRIC SHOCK, REFER SERVICING TO QUALIFIED
SERVICE PERSONNEL. DO NOT PERFORM ANY SERVICING BEYOND
THAT EXPLAINED IN THE OPERATING INSTRUCTIONS.

[A]	MGA 5/8/91		
ORIG.	DAN-9/15/89		
VERS.	DRAWN BY	CHECKED BY	APPROVED BY
PAGE #	2 OF 3	DRAWING #	16-036-51
DESCRIPTION: VH-140CXL CHORUS BOARD			
 SLM ELECTRONICS 11880 BORMAN DR. ST. LOUIS, MO 63146			

REVISION DESCRIPTIONS

CODE	DESCRIPTION
[A]	CHANGE VALUE OF D20 FROM 1N4002 TO 1N4744

R1	3.9K	76-392-01
R2	2.7K	76-273-01
R3	15K	76-153-01
R4	3.9K	76-392-01
R5	100K	76-102-01
R6	100K	76-104-01
R7	4.7K	76-473-01
R8	4.7	76-470-01
R9	4.7	76-470-01
R10	330K	76-334-01
R11	3.9K	76-392-01
R12	1.1M	76-112-01
R13	4.7K	76-473-01
R14	4.7K	76-473-01
R15	4.7K	76-472-01
R16	2.7K	76-272-01
R17	2.7K	76-272-01
R18	2.2M	76-225-01
R19	2.7K	76-272-01
R20	12K	76-123-01
R21	2.7K	76-272-01
R22	2.7K	76-272-01
R23	12K	76-123-01
R24	22K	76-223-01
R25	1.8K	76-182-01
R26	100K	76-104-01
R27	1.5K	76-152-01
R28	2.2M	76-225-01
R29	100K	76-104-01
R30	100K	76-104-01
R31	2.7K	76-272-01
R32	2.7K	76-272-01
R33	1.5K	76-152-01
R34	22	76-220-01
R35	18K	76-183-01
R36	10K	76-103-01
R37	18K	76-103-01
R38	10K	76-103-01
R39	10K	76-103-01
R40	100K	76-104-01
R41	100K	76-104-01
R42	33K	76-333-01
R43	33K	76-333-01
R44	10K	76-103-01
R45	2.7K	76-273-01
R46	2.7K	76-272-01
R47	4.7	76-470-01
R48	4.7	76-470-01
R49	4.7K	76-473-01
R50	4.7K	76-472-01
R51	4.7K	76-472-01
R52	1M	76-105-01
R53	1.5K	76-152-01
R54	1.8K	76-182-01

R55	33K	76-333-01
R56	33K	76-333-01
R57	2.7K	76-273-01
R58	100K	76-104-01
R59	33K	76-333-01
R60	1M	76-105-01
R61	1M	76-105-01
R62	2.2K	76-222-01
R63	100K	76-104-01
R64	2.2K	76-222-01
R65	100K	76-104-01
R66	2.2K	76-222-01
R67	2.2K	76-222-01
R68	2.2K	76-222-01
R69	2.2K	76-222-01
R70	1.5K	76-152-01
R71	100	76-101-01
R72	10K	76-103-01
R73	2.2M	76-225-01
R74	10K	76-103-01
R75	180 OHM 10W	76-181-10
R76	180 OHM 10W	76-181-10
R77	10K	76-103-01
R78	10K	76-103-01
R79	15K	76-153-01
R80	7.5K	76-752-01
R81	1K	76-102-01
R82	100	76-101-01
R83	4.7K	76-473-01
R84	4.7K	76-473-01
R85	2.7K	76-271-01
R86	2.7K	76-271-01
R87	2.7K	76-271-01
R88	2K/2W	76-202-01
R89	2K/2W	76-202-01

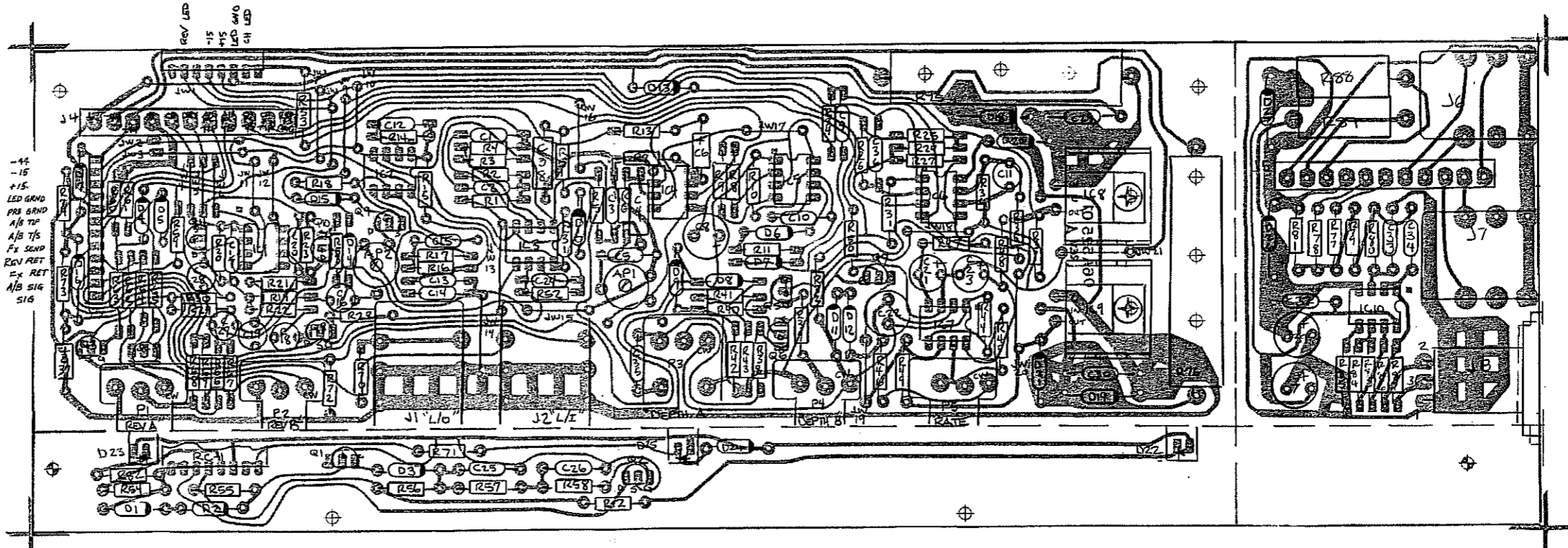
C15	.1u	10N104-01
C16	2.2u/50v N.P.	12-225-01
C17	220P	10N221-11
C18	2.2u/50v N.P.	12-225-01
C19	2.2u/50v N.P.	12-225-01
C20	220P	10N221-11
C21	22u/35V	12-225-32
C22	47u/16v N.P.	12-476-01
C23	22u/35V	12-225-32
C24	100P	10N101-01
C25	.047u	10N473-11
C26	.1u	10N104-01
C27	2.2u/50v N.P.	12-225-01
C28	2.2u/50v N.P.	12-225-01
C29	22u	10N224-01
C30	.22u	10N224-01
C31	.047u	10N473-11
C32	.047u	10N473-11
C33	.001u	10N102-01
C34	.01u	10N103-11
C35	.002u	10N223-01
C36	.1u	10N104-01
C37	2.2u/50v	12-225-01
C38	.22u	10N224-01
C39	100u/35V	12-107-32

D1	MS-155	96-055-01
D2	J112	96-112-01
D3	J112	96-112-01
D4	J176	96-176-01
D5	J112	96-112-01
D6	J176	96-176-01
D7	MS-155	96-055-01
D8	J112	96-112-01
D9	J176	96-176-01
D10	J176	96-176-01
D11	J176	96-176-01

IC1	4550	37-450-01
IC2	4550	37-450-01
IC3	4550	37-450-01
IC4	MM3007	37-307-01
IC5	MM3101	37-301-01
IC6	4550	37-450-01
IC7	4550	37-450-01
IC8	78M15	37-715-01
IC9	78M15	37-715-01
IC10	4550	37-450-01

RD-1	8 PIN RIBBON	99-128-01
HS-1	10-220 S114	33-541-01
HS-2	10-220 S114	33-541-01
SCREW 1	4-40X3/8"	30-440-52
SCREW 2	4-40X3/8"	30-440-52
HT-1	4-40 HTI	30-442-52
HT-2	4-40 HTI	30-442-52
PC-1	55150C P.L.	06N55-01

D1	10K	70-132-01
D2	10K	70-132-01
D3	10K W/PULL SW	70-103-27
D4	10K	70-132-01
D5	100MM	70-101-23
J1	1/4" 1/8 CLIFF	39-119-01
J2	1/4" 1/8 CLIFF	39-119-01
J3	12 PIN .1" SKT	17-314-12
J4	11 PIN HEADER	17-310-11
J5	11 PIN HEADER	17-310-11
J6	1/4" 1/8 CLIFF	39-117-01
J7	1/4" 1/8 CLIFF	39-116-01
J8	MALE R.N. XLR	39-308-01
NP-1	10K IRIM	71-103-02
NP-2	10K IRIM	71-103-02

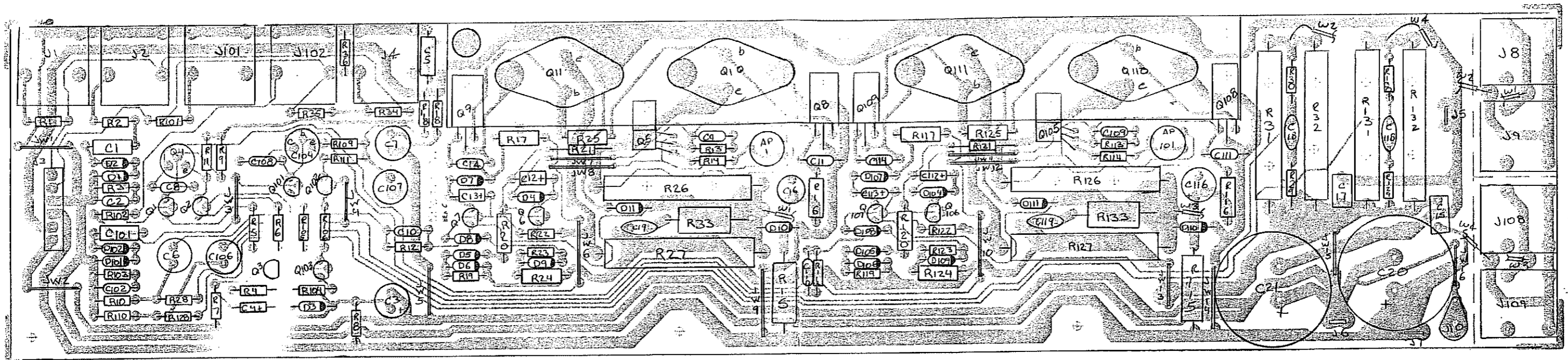


NOTES: 1) UNLESS OTHERWISE SPECIFIED, ALL RESISTORS ARE IN OHMS 1/4 WATT, 5%. ALL CAPACITORS ARE IN MICROFARADS AND HAVE A 50 VOLT RATING (MINIMUM).

ASSY. PART NO. 07-525-01

TOLERANCES		REVISIONS		VH-140C CHORUS BRD PICT	
DECIMAL	Δ	NO.	DATE	BY	
FRACTIONAL		2	5/3/81	TGL	
ANGULAR		4			
		5			
DRAWN BY			SCALE	MATERIAL	
CHKD			DATE		
TRACED			APPR		
					07-525-01

Δ CHANGED D20 FROM 21A402-C1 TO 21A444-01



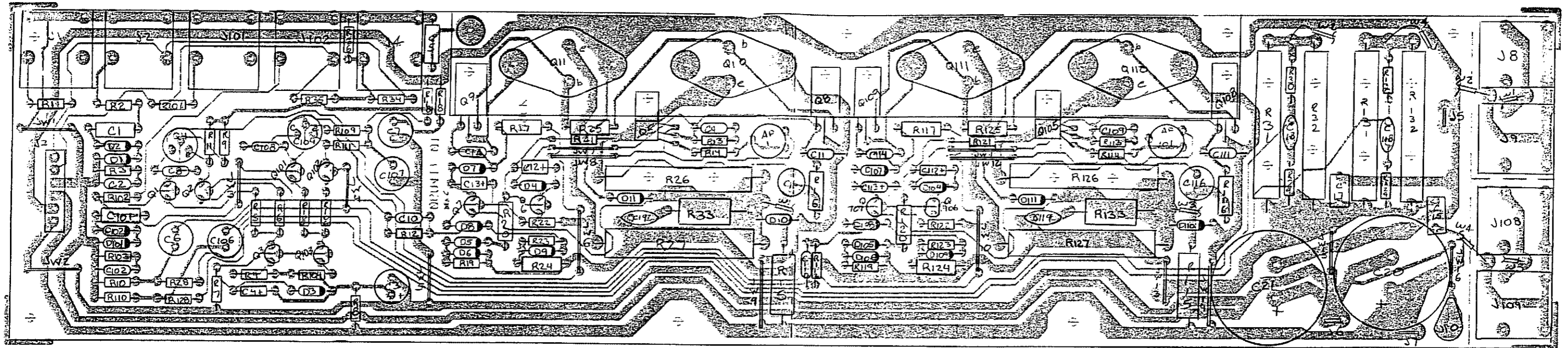
PART	DESCRIPTION	PART NO.
R14	560	76-561-01
R15	2K, 2W	78-202-01
R1, 101	1K	76-102-01
R2, 102	4.7K	76-472-01
R3, 103	27K	76-273-01
R4, 104	27K	76-272-01
R5, 105	22	76-220-01
R6, 106	22	76-220-01
R7	8.2 K	76-822-01
R8	22	76-220-01
R9, 109	470	76-471-01
R10, 110	330	76-331-01
R11, 111	10	76-100-01
R12, 112	27K	76-273-01
R13, 113	1.5K	76-152-01
R16, 116	680 1/2 W	77-680-01
R17, 117	100 1/2 W	77-101-01
R18, R118	22	76-220-01
R19, R119	33K	76-333-01
R20, 120	2700 1/2 W	77-272-01
R21, R121	270	76-271-01
R22, 122	270	76-271-01
R23, 123	33K	76-333-01
R24, 124	2700 1/2 W	77-272-01
R25, 125	100 1/2 W	77-101-01
R26, 126	.33/10 W	78-330-10
R27, 127	.33/10 W	78-330-10
R28, 128	220	76-221-01
R29, 129	10	76-100-01
R30, 130	22	76-220-01
R31, 131	.68/10W	78-068-10
R32, 132	.68/10W	78-068-10
R33, 133	10/ 2 W	78-100-01
R34, 134	10K	76-103-01
R35, 135	10K	76-103-01
R36, 136	3.3K	76-332-01
JW1-16		76-000-02
C1, 101	.1	10A104-01
C2, 102	.10022	10A222-01
C3	220/50V	12-227-02
C4	1/50V	12A105-51
C5, 105	.1	10A104-01
C6, 106	22 NP/50V	12-226-81
C7, 107	220/50V	12-227-02
C8, 108	100P	10A101-21
C9, 109	.0022	10A222-01
C10, C110	100P	10A102-21
C11, 111	330P/100V	10A331-11
C12, 112	1/50V	12A105-51
C13, 113	1/50V	12A105-51
C14, 114	330P/100V	10A331-11
C15	1/100V	10A104-01

PART	DESCRIPTION	PART NO.
C16, 116	47/35V	12-476-32
C17	.11100V	10A104-01
C18, 118	.022 POLY	10-223-02
C19, 119	.047/100V POLY	10-473-03
C20	6800/50	12-688-02
C21	6800/50	12-688-02
D1, 101	IN 746 A	21A146-01
D2, 102	IN 746 A	21A146-01
D3, 103	IN 4740 A	21A440-01
D4, 104	IN 914	21A914-01
D5, 105	IN 746 A	21A146-01
D6, 106	IN 3070	21A370-01
D7, 107	IN 314	21A314-01
D8, 108	IN 746 A	21A146-01
D9, 109	IN 3070	21A370-01
D10, 110	IN 5393	21A593-01
D11, 111	IN 5393	21A593-01
Q1, 101	MPS A56	96-056-01
Q2, 102	MPS A56	96-056-01
Q3, 103	MPS A56	96-056-01
Q4, 104	2N 3440	96-340-01
Q5, 105	2N 3402	96-342-01
Q6, 106	MPS A06	96-006-01
Q7, 107	MPS A56	96-056-01
Q8, 108	TIP 31 C	96-031-03
Q9, 109	TIP 32 C	96-032-03
Q10, 110	MJ 15001	96-101-01
Q11, 111	MJ 15002	96-102-01
J1, 2, 8, 9, 4, 10, 102, 108, 109	1/4" JACK	39-116-01
J3	6 PIN HDR.	17-309-06
J5-7	.250 TAB.	17-836-01
J10	GROUND LUG	17-500-01
TP-1, 101	TRIM POT.	71-501-02
H.S.	BRACKET	33-117-01
W1	10.5" RED WIRE	97-168-02
W2	5.5" BLACK WIRE	97-168-56
W3	6.5" RED WIRE	97-168-62
W4	5.5" BLACK WIRE	97-168-56

PIN-07-413-01

TOLERANCES	REVISIONS	NO	DATE	BY	55-140CA PWR AMP
DECIMAL		1			VH-140C POWER AMP.
FRACTIONAL		2	8-16-89	DM	SLM ELECTRONICS
ANGULAR		3			11880 GORMAN ST. LOUIS MO 63146
		4			DATE 7/3/87
		5			DRAWING NO 07-413-01

ARB CHANGED TO 22 DIMS.



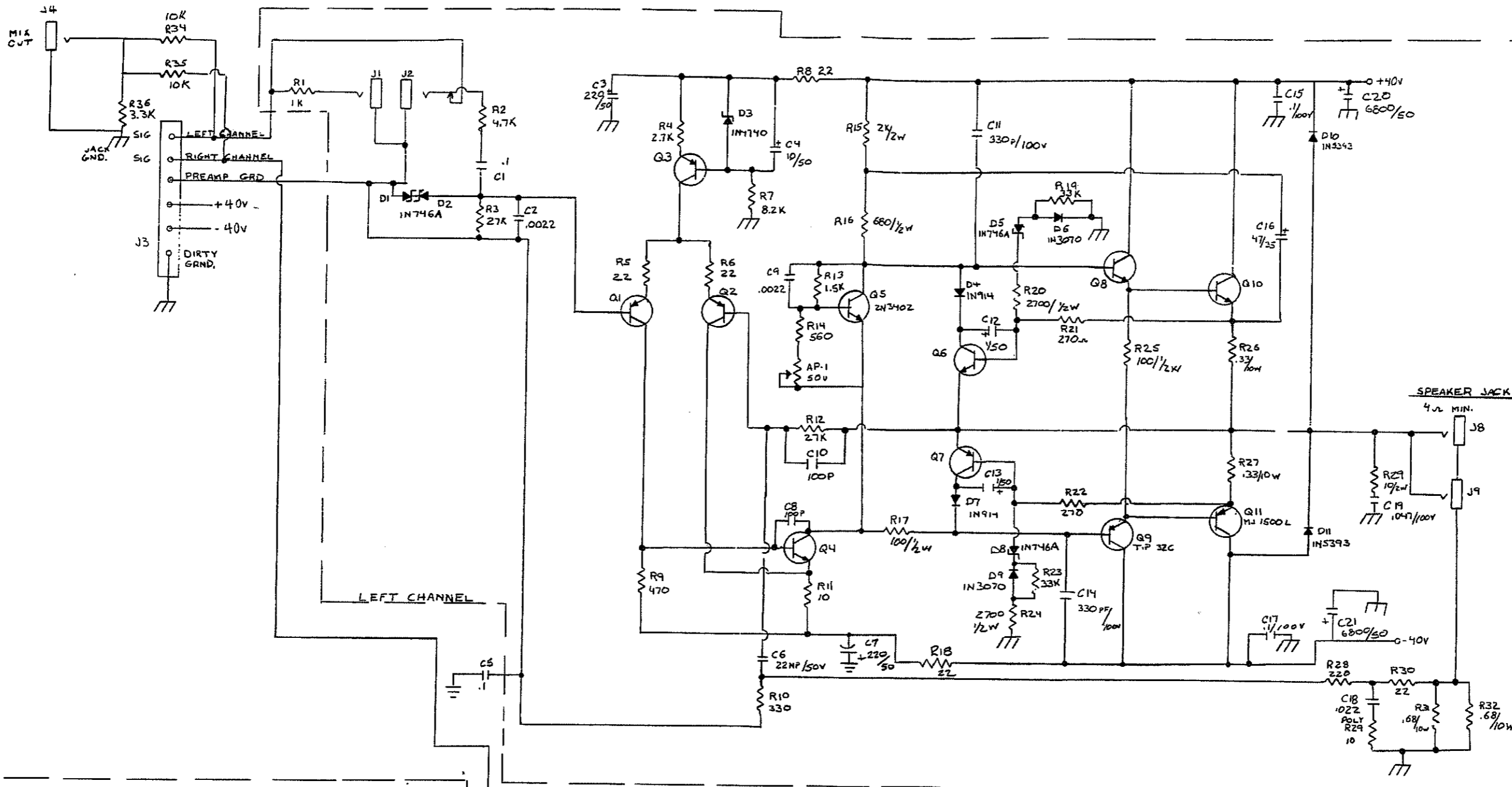
PART	DESCRIPTION	PART NO.
R14	560	76-561-01
R15	2K, 2W	78-202-01
R1, 101	1K	76-102-01
R2, 102	4.7K	76-472-01
R3, 103	27K	76-273-01
R4, 104	2.7K	76-272-01
R5, 105	22	76-220-01
R6, 106	22	76-220-01
R7	8.2K	76-822-01
R8	22	76-220-01
R9, 109	470	76-471-01
R10, 110	330	76-331-01
R11, 111	10	76-100-01
R12, 112	27K	76-273-01
R13, 113	1.5K	76-152-01
R16, 116	680 1/2 W	77-680-01
R17, 117	100 1/2 W	77-101-01
R18, R118	22	76-220-01
R19, R119	33K	76-333-01
R20, 120	2700 1/2 W	77-272-01
R21, R121	270	76-271-01
R22, 122	270	76-271-01
R23, 123	33K	76-333-01
R24, 124	2700 1/2 W	77-272-01
R25, 125	100 1/2 W	77-101-01
R26, 126	.33/10 W	78-330-10
R27, 127	.33/10 W	78-330-10
R28, 128	220	76-221-01
R29, 129	10	76-100-01
R30, 130	22	76-220-01
R31, 131	.68/10 W	78-068-10
R32, 132	.68/10 W	78-068-10
R33, 133	10/2 W	78-100-01
R34, 134	10K	76-103-01
R35, 135	10K	76-103-01
R36, 136	3.3K	76-332-01
JW1-16		76-000-02
C1, 101	.1	10A104-01
C2, 102	.0022	10A222-01
C3	220/50V	12-227-02
C4	1/50V	12A105-51
C5, 105	.1	10A104-01
C6, 106	22 NP/50V	12-226-81
C7, 107	220/50V	12-227-02
C8, 108	100P	10A101-21
C9, 109	.0022	10A222-01
C10, C110	100P	10A102-21
C11, 111	330P/100V	10A331-11
C12, 112	1/50V	12A105-51
C13, 113	1/50V	12A105-51
C14, 114	330P/100V	10A331-11
C15	1/100V	10A104-01

PART	DESCRIPTION	PART NO.
C16, 116	47/35V	12-476-32
C17	.1/100V	10A104-01
C18, 118	.022 POLY	10-223-02
C19, 119	.047/100V POLY	10-473-03
C20	6800/50	12-688-02
C21	6800/50	12-688-02
D1, 101	IN 746 A	21A146-01
D2, 102	IN 746 A	21A146-01
D3	IN 4740A	21A440-01
D4, 104	IN 914	21A914-01
D5, 105	IN 746 A	21A146-01
D6, 106	IN 3070	21A370-01
D7, 107	IN 914	21A914-01
D8, 108	IN 746 A	21A146-01
D9, 109	IN 3070	21A370-01
D10, 110	IN 5393	21A593-01
D11, 111	IN 5393	21A593-01
Q1, 101	MPS A56	96-056-01
Q2, 102	MPS A56	96-056-01
Q3, 103	MPS A56	96-056-01
Q4, 104	2N 3440	96-340-01
Q5, 105	2N 3402	96-342-01
Q6, 106	MPS A06	96-006-01
Q7, 107	MPS A56	96-056-01
Q8, 108	TIP 31 C	96-031-03
Q9, 109	TIP 32 C	96-032-03
Q10, 110	MJ 15001	96-101-01
Q11, 111	MJ 15002	96-102-01
J1, 2, 8, 9, 4, 10, 102	1/4" JACK	39-116-01
J3	6 PIN HDR.	17-309-06
J5-7	.250 TAB.	17-836-01
J10	GROUND LUG	17-500-01
TP-1, 101	TRIM POT.	71-501-02
H.S.	BRACKET	33-117-01
W1	10.5" RED WIRE	97-168-02
W2	5.5" BLACK WIRE	97-168-56
W3	6.5" RED WIRE	97-168-62
W4	5.5" BLACK WIRE	97-168-56

PIN-07-413-01

TOLERANCES	REVISIONS	NO.	DATE	BY	SS-140CA PWR AMP
UNLESS OTHERWISE SPECIFIED	NO.				VH-140C POWER AMP
ORIGINAL	1	8-16-89	DM		SLM ELECTRONICS
FRACTIONAL	2				11880 BORMAN ST. LOUIS MO 63146
DECIMAL	3				SCALE MATERIAL
ANGULAR	4				DRAWING NO
	5				DATE 7-13-87
	6				DRAWING NO 07-413-01

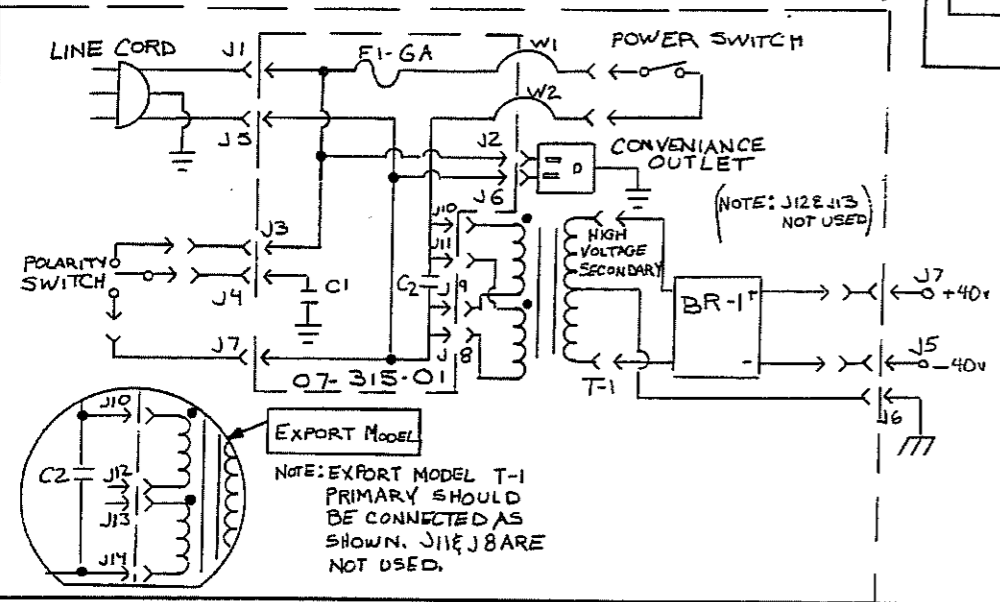
RB CHANGED TO 22 OHMS



RIGHT CHANNEL
 IDENTICAL TO 'LEFT'
 EXCEPT - DELETE - C3, R8, D3, R7, C4, C15, Q17
 AND (ADD 100 TO REF DESIGNATORS)
 C-27 C-102, D-1, D 101, ETC.

P.C. Board Assy # 07-413-01

PART	DESCRIPTION	PART NO.
C22, 23	6800/50	12-688-02
C24, 25	.0027 V.L.	10-272-01
D1	IN746A	21A146-01
D2	IN746A	21A146-01
D3	IN4740A	21A440-01
D4	IN914	21A914-01
D5	IN746A	21A146-01
D6	IN3070	21A370-01
D7	IN914	21A914-01
D8	IN746A	21A146-01
D9	IN3070	21A370-01
D10	IN5393	21A593-01
D11	IN5393	21A593-01
Q1	MPSA56	96-056-01
Q2	MPSA56	96-056-01
Q3	MPSA56	96-056-01
Q4	2N340	96-340-01
Q5	2N3402	96-342-01
Q6	MPSA06	96-006-01
Q7	MPSA56	96-056-01
Q8	TIP31C	96-031-03
Q9	TIP32C	96-032-03
Q10	MJ1500I	96-101-01
Q11	MJ1500Z	96-102-01
J1, 2, 8, 9, 4	1/4" JACK	39-116-01
J3	5 PIN HEADER	17-309-05
J5-7	.250 TAB	17-835-01
S1	SWITCH	88-202-01
BR-1	BRIDGE REC	21-204-01
TP-1	TRIM POT	71-501-02



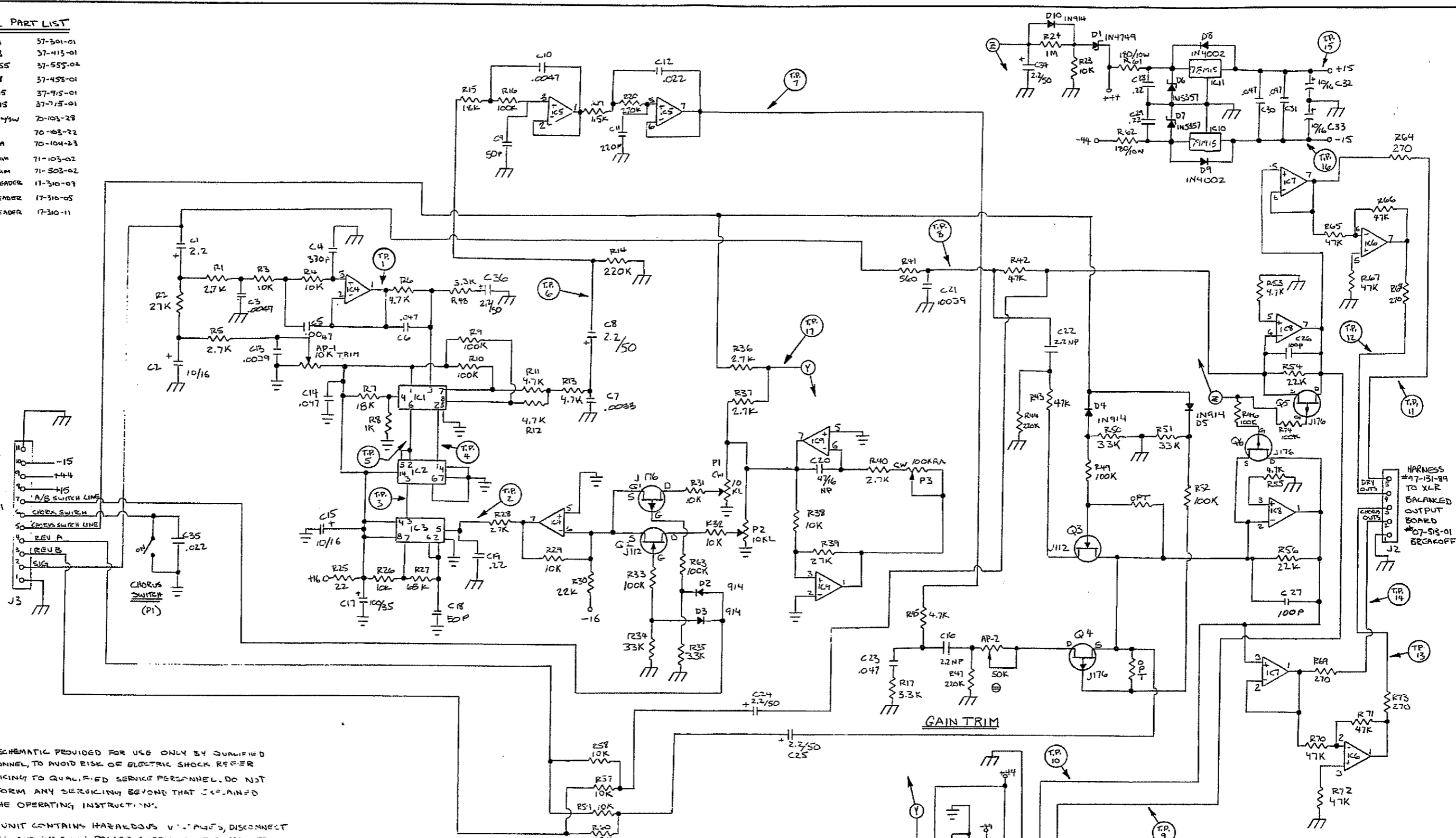
- ③ CHANGE R33 TO R29
- ⚠ R8 CHANGED TO 22 OHMS
- ① UP-DATED "J" DESIGNATORS

TOLERANCES		REVISIONS		AMPEG 55-140 C PWR AMP - LEFT CHANNEL	
DECIMAL	FRACTIONAL	NO	DATE	BY	MATERIAL
±	±	1	5/25/88	TEL	SLM ELECTRONICS
±	±	2	8-16-89	DM	1180 BORMAN ST. LOUIS, MO 63116
±	±	3	5/12/90	TKR	SCALE 2X
±	±	4			DATE
±	±	5			DRAWING NO.
±	±	6			16-032-01

PARTIAL PART LIST

IC1	3001	37-301-01
IC2	4013	37-413-01
IC3	76555	37-555-04
IC4	4558	37-458-01
IC10	74M15	37-715-01
IC11	78M15	37-715-01
P1	10K 1/4SW	70-103-28
P2	10K 1/4	70-103-22
P3	100K 1/4	70-104-23
AP-1	10K TRIM	71-103-02
AP-2	50K TRIM	71-503-02
J1	9 PIN HEADER	17-310-09
J2	5 PIN HEADER	17-310-05
J3	4 PIN HEADER	17-310-11

HARNESS #97-131-76 FROM PREAMP BOARD #07-513-01

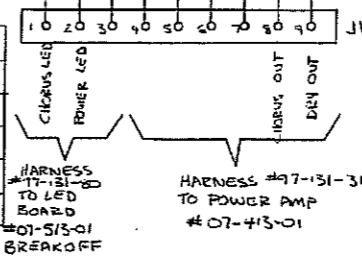


NOTES:

- 1) THIS SCHEMATIC PROVIDED FOR USE ONLY BY QUALIFIED PERSONNEL TO AVOID RISK OF ELECTRIC SHOCK REFER SERVING TO QUALIFIED SERVICE PERSONNEL. DO NOT PERFORM ANY SERVICING BEYOND THAT EXPLAINED IN THE OPERATING INSTRUCTIONS.
- 2) THIS UNIT CONTAINS HAZARDOUS VOLTAGES, DISCONNECT POWER AND WAIT 5 MIN POWER SUPPLY IS DISCHARGED BEFORE TOUCHING INTERNAL PARTS.
- 3) UNLESS OTHERWISE SPECIFIED ALL RESISTORS ARE IN OHMS, 1/4 WATT, 5%. ALL CAPACITORS ARE IN MICROFARADS AND HAVE A 50V RATING.
- 4) MEASUREMENTS AT TEST POINTS ARE MADE WITH A 100 OHM OSCILLOSCOPE UNDER THE FOLLOWING CONDITIONS:
 A/B SWITCH LINE @ -15V, CHORUS SWITCH LINE @ -15V, 2Vp-p INP1 @ 1KHz, EXCEPT AS NOTED.

T.P.	WAVE FORM	VOLTS	SPL	ALL CONDITIONS
1	~	7.2Vp-p		DEPTH A @ 0
2	~	2.2Vp-p		DEPTH A @ 10
3	~	6.8Vp-p		DEPTH A @ 0
4	~	3.8Vp-p		DEPTH A @ 10
5	~	6.8Vp-p		DEPTH A @ 0
6	~	6.8Vp-p		DEPTH A @ 10
7	~	4.5Vp-p		DEPTH A @ 0
8	~	7.4Vp-p		DEPTH A @ 0

T.P.	WAVE FORM	VOLTS	SPL	ALL CONDITIONS
9	~	3.1Vp-p		DEPTH A @ 0
10	~	3.1Vp-p		DEPTH A @ 10
11	~	3.1Vp-p		DEPTH A @ 0
12	~	3.1Vp-p		DEPTH A @ 10
13	~	+15VDC		DEPTH A @ 0
14	~	-15VDC		DEPTH A @ 0
15	~	5.0Vp-p		DEPTH A @ 0
16	~	5.0Vp-p		DEPTH A @ 10
17	~	5.0Vp-p		DEPTH A @ 0



SHT 3 of 3

TOLERANCES	REVISIONS	SS-140C
RESISTORS	NO. 1	POWER AND CHORUS
CAPACITORS	NO. 1	SLM ELECTRONICS
IC'S	NO. 1	1150 BORMAN ST. LOUIS, MO. 63146
OTHER	NO. 1	SCALE
DATE	NO. 1	1-15-87
TRACED	NO. 1	DATE