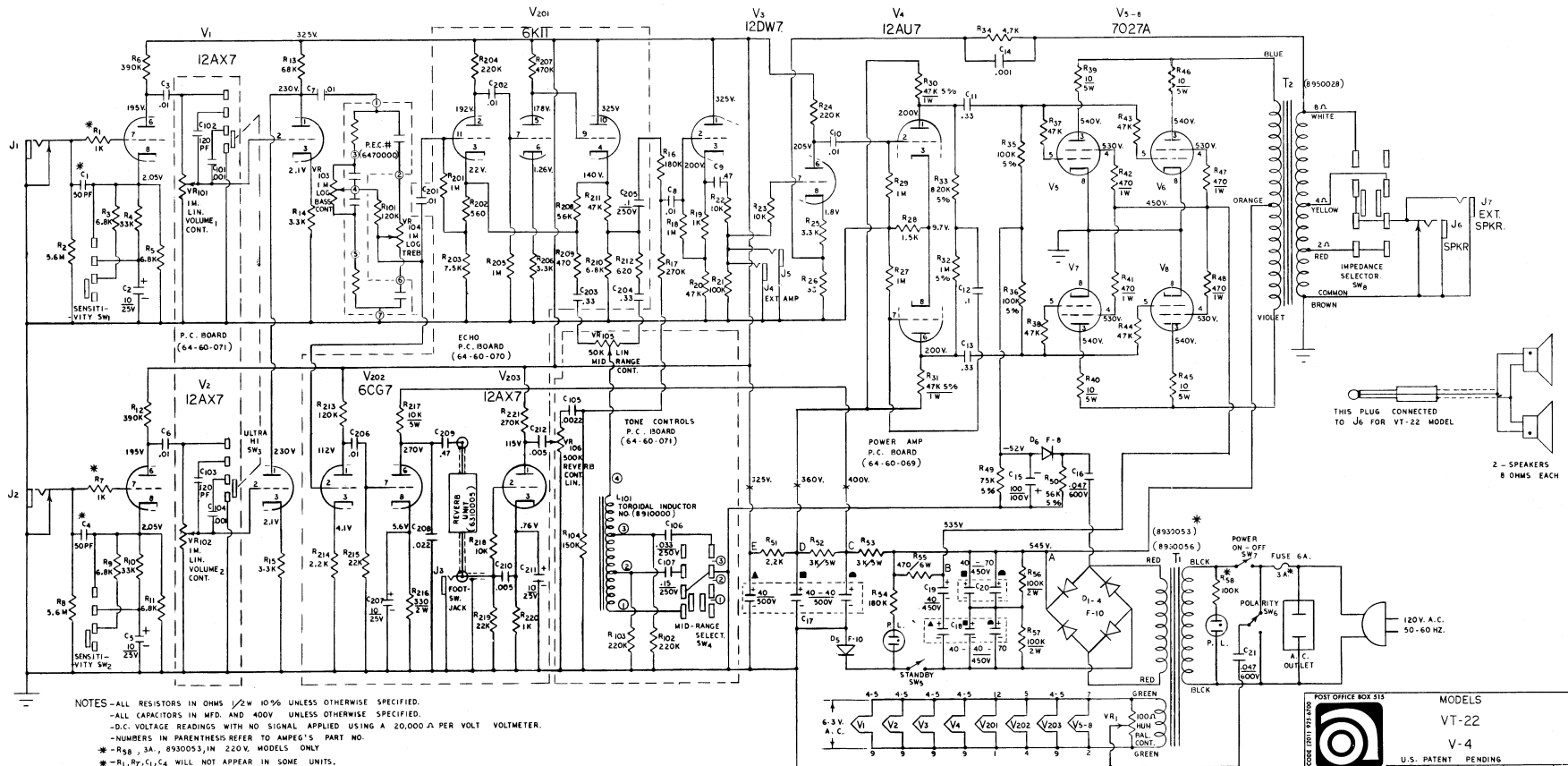



# VT22 & V4 (REV A)

# Ampeg



POST OFFICE BOX 313  
 MODELS  
 VT-22  
 V-4  
 U.S. PATENT PENDING  
  
 DRN. BY DATE DWG. NO PART NO REV  
 S.C. 6-70 06200 400244 A