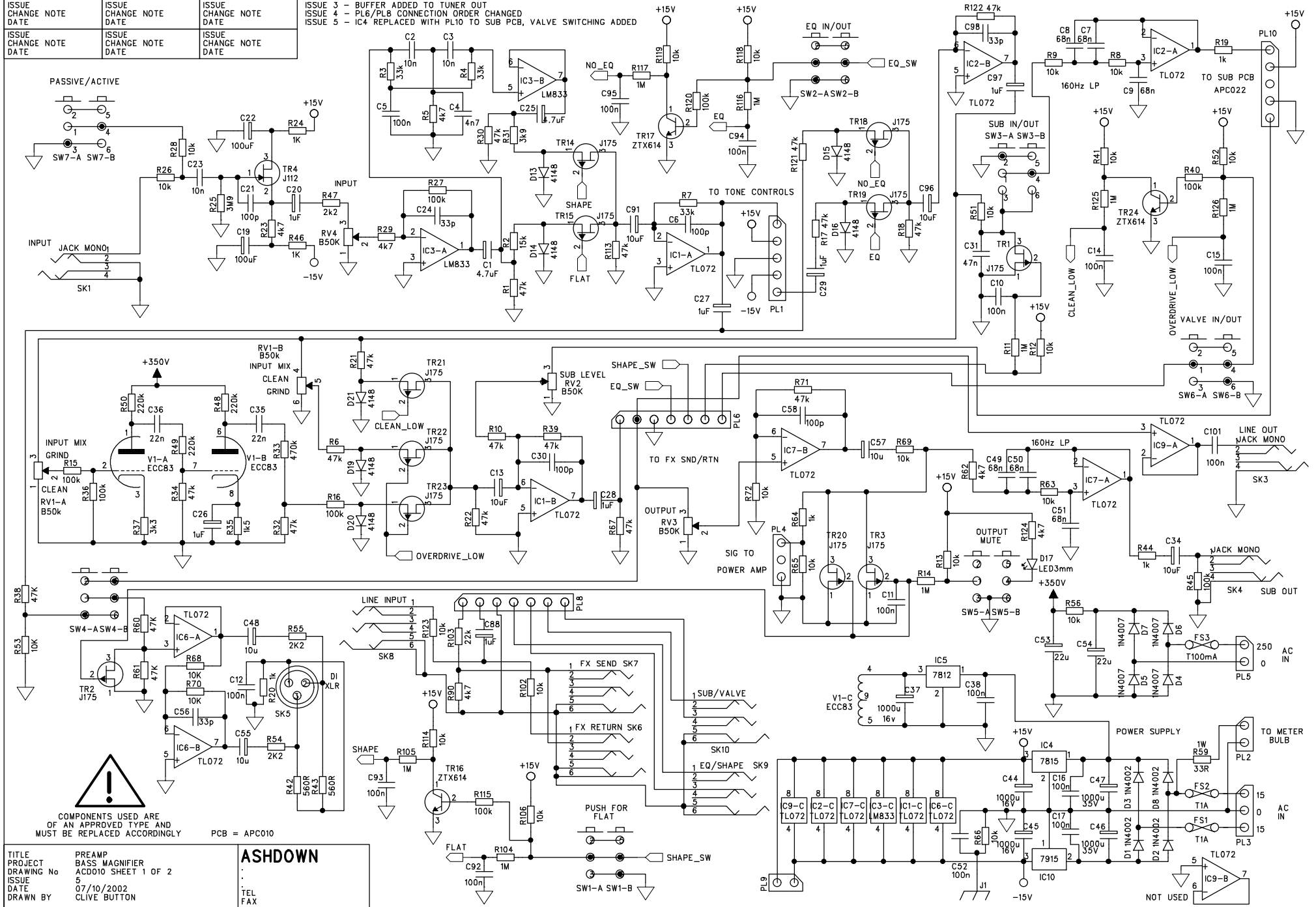


ISSUE CHANGE NOTE DATE	ISSUE CHANGE NOTE DATE	ISSUE CHANGE NOTE DATE
ISSUE CHANGE NOTE DATE	ISSUE CHANGE NOTE DATE	ISSUE CHANGE NOTE DATE

ISSUE 3 - BUFFER ADDED TO TUNER OUT  
 ISSUE 4 - PL6/PL8 CONNECTION ORDER CHANGED  
 ISSUE 5 - IC4 REPLACED WITH PL10 TO SUB PCB, VALVE SWITCHING ADDED



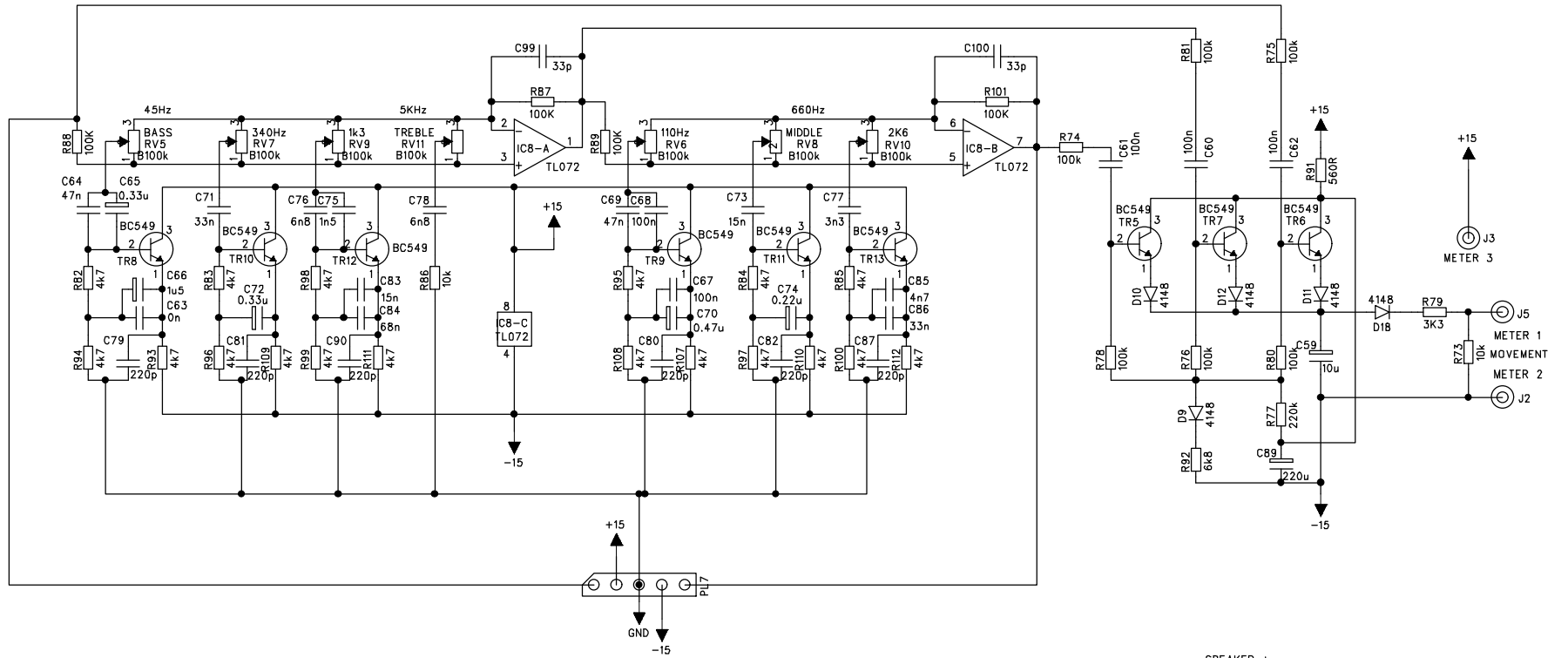
**!**  
 COMPONENTS USED ARE OF AN APPROVED TYPE AND MUST BE REPLACED ACCORDINGLY

PCB = APC010

TITLE PROJECT PREAMP BASS MAGNIFIER  
 DRAWING No AC010 SHEET 1 OF 2  
 ISSUE 5  
 DATE 07/10/2002  
 DRAWN BY CLIVE BUTTON

**ASHDOWN**  
 TEL FAX

ISSUE CHANGE DATE	NOTE	ISSUE CHANGE DATE	NOTE	ISSUE CHANGE DATE	NOTE
ISSUE CHANGE DATE	NOTE	ISSUE CHANGE DATE	NOTE	ISSUE CHANGE DATE	NOTE



TITLE  
PROJECT  
DRAWING No  
ISSUE  
DATE  
DRAWN BY

TONE CONTROL  
BASS MAGNIFIER  
ACD010 SHEET 2 OF 2  
5  
21/02/2002  
CLIVE BUTTON

PCB = APC010  
**ASHDOWN**  
ENGLAND  
TEL  
FAX

COMPONENTS USED ARE OF AN APPROVED TYPE AND MUST BE REPLACED ACCORDINGLY  
ISSUE 2 - FREQUENCY OF BASS CONTROL CHANGED TO 45HZ, 180HZ SLIDER CHANGED TO 110HZ

