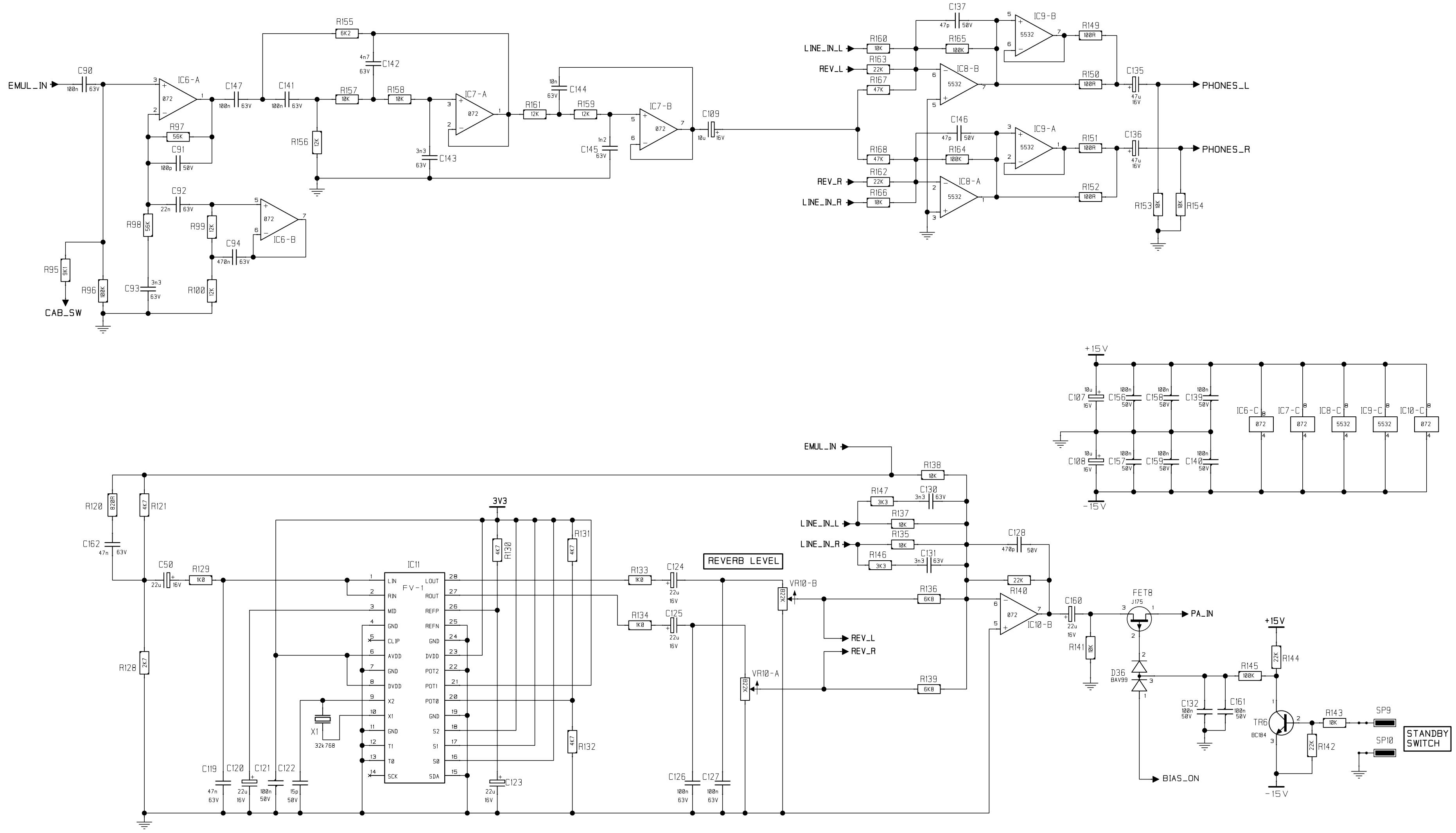


CHANGES FROM ISS 1B:
 - R105 changed from 100K to 4K7.

ISSUE	ECO No.	DATE	INITIAL
1C		01-11-11	
1B		04-04-11	
1A		23-02-11	

**Blackstar
 AMPLIFICATION**
 COPYRIGHT EXISTS ON THIS DOCUMENT. IT MUST NOT BE USED FOR ANY PURPOSE OTHER THAN THAT FOR WHICH IT WAS SUPPLIED AND MUST NOT BE COPIED IN WHOLE OR PART WITHOUT WRITTEN PERMISSION OF BLACKSTAR AMPLIFICATION

DWG No.	ISS: 1C	SHT. 1 OF 4	TITLE
DRAWN BY CLIFF B	DATE 01-11-2011		PRE AMP
CHECKED BY	DATE		MODEL
APPROVED BY	DATE		HT-5R

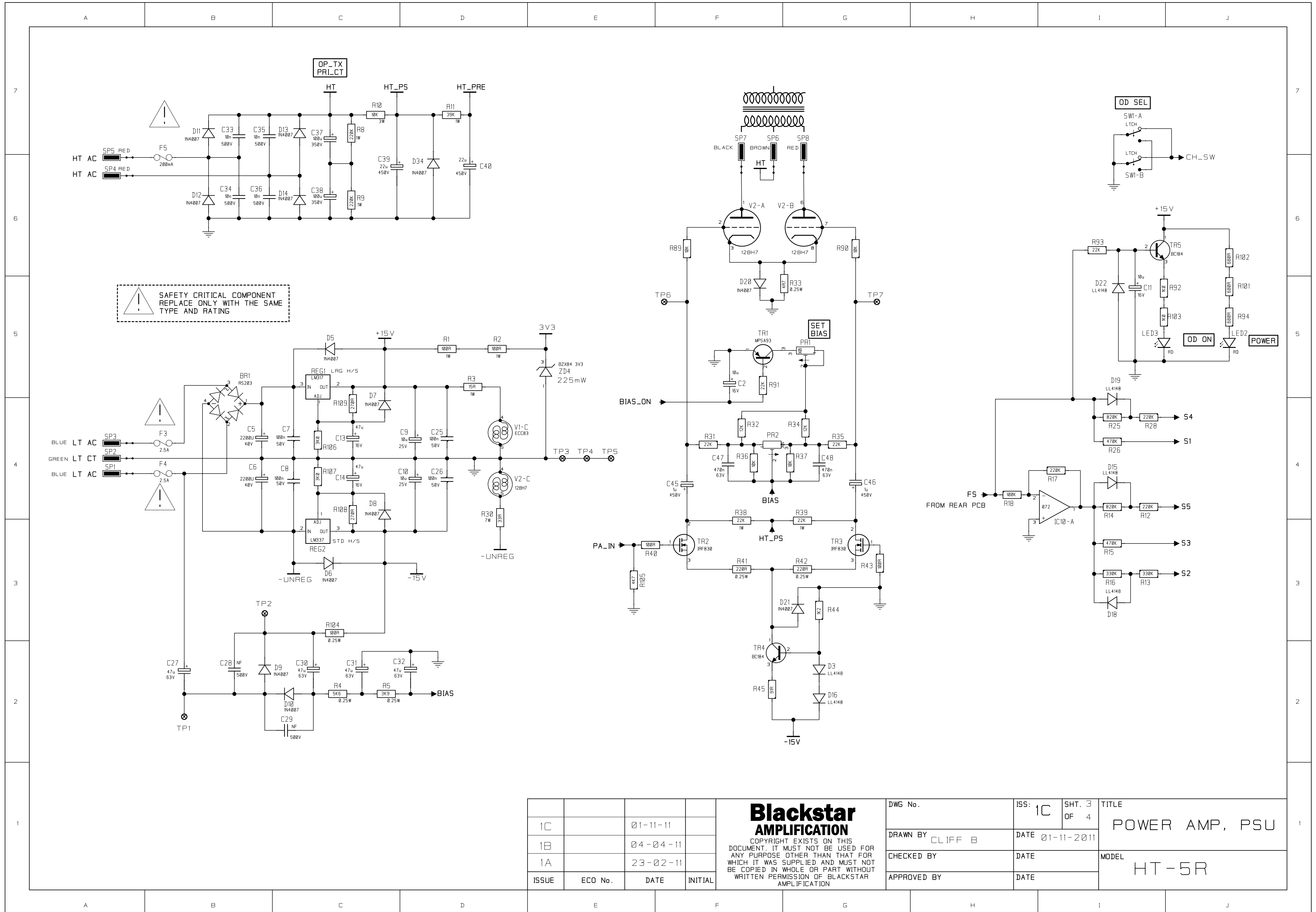


1C		01-11-11	
1B		04-04-11	
1A		23-02-11	
ISSUE	ECO No.	DATE	INITIAL

**Blackstar
AMPLIFICATION**
 COPYRIGHT EXISTS ON THIS DOCUMENT. IT MUST NOT BE USED FOR ANY PURPOSE OTHER THAN THAT FOR WHICH IT WAS SUPPLIED AND MUST NOT BE COPIED IN WHOLE OR PART WITHOUT WRITTEN PERMISSION OF BLACKSTAR AMPLIFICATION

DWG No.	ISS: 1C	SHT. 2 OF 4
DRAWN BY CLIFF B	DATE 01-11-2011	
CHECKED BY	DATE	
APPROVED BY	DATE	

TITLE
EMULATOR, REVERB
 MODEL
HT-5R



1C		01-11-11	
1B		04-04-11	
1A		23-02-11	
ISSUE	ECO No.	DATE	INITIAL

**Blackstar
AMPLIFICATION**

COPYRIGHT EXISTS ON THIS DOCUMENT. IT MUST NOT BE USED FOR ANY PURPOSE OTHER THAN THAT FOR WHICH IT WAS SUPPLIED AND MUST NOT BE COPIED IN WHOLE OR PART WITHOUT WRITTEN PERMISSION OF BLACKSTAR AMPLIFICATION

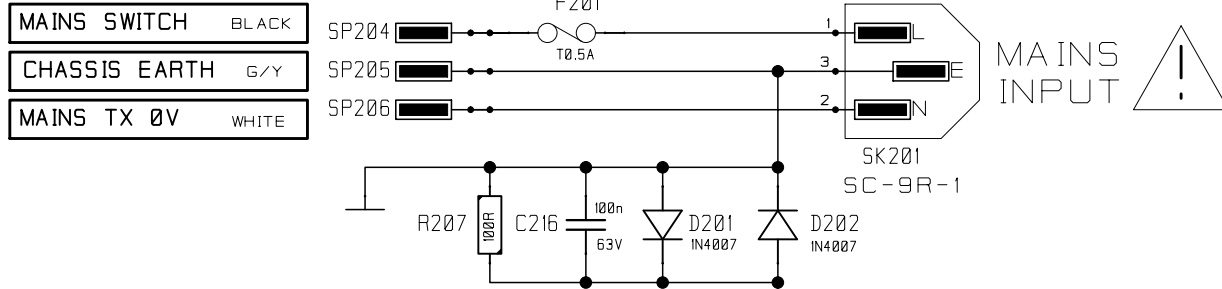
DWG No.	ISS: 1C	SHT. 3 OF 4
DRAWN BY CLIFF B	DATE 01-11-2011	
CHECKED BY	DATE	
APPROVED BY	DATE	

TITLE
POWER AMP, PSU

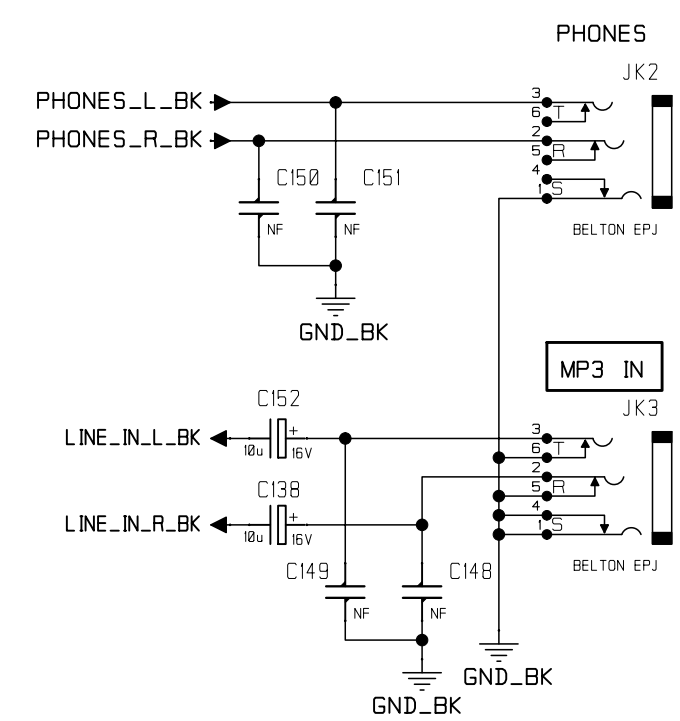
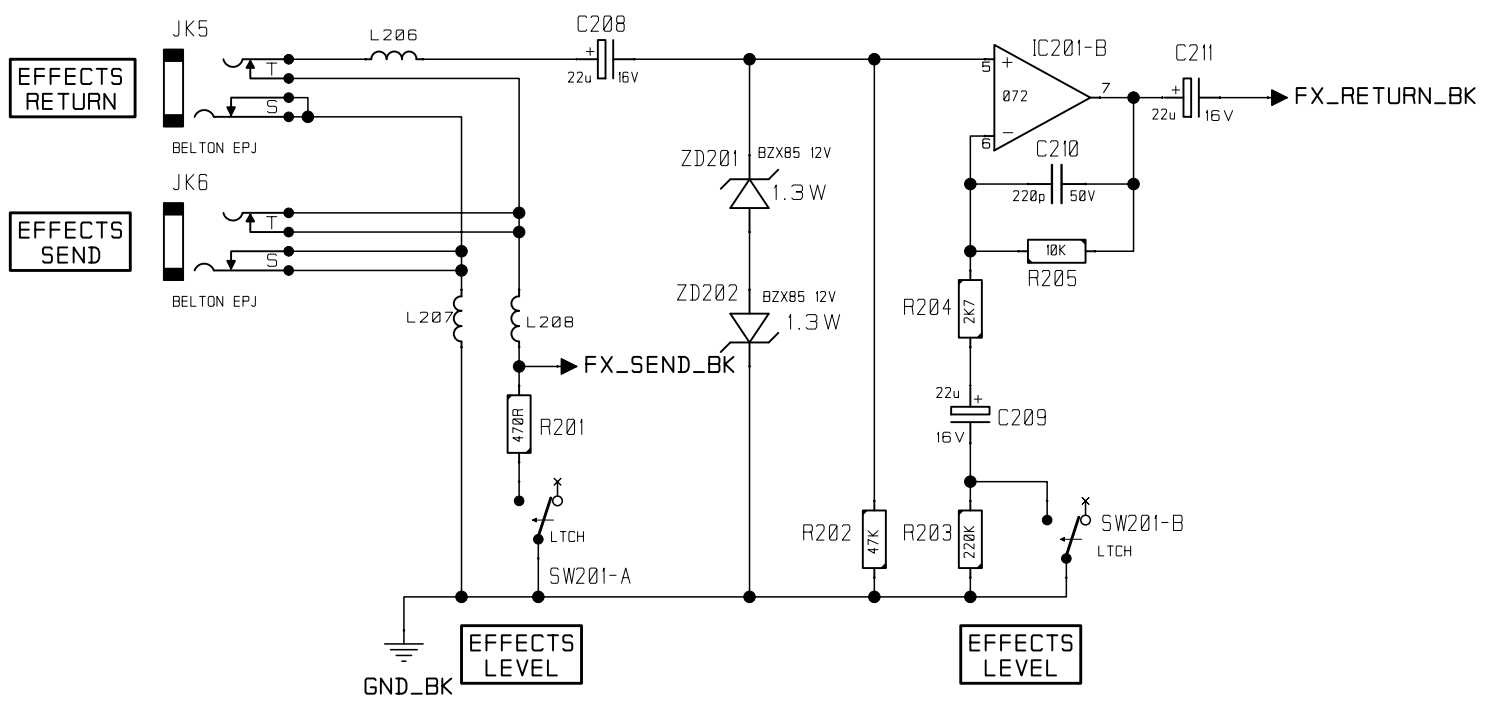
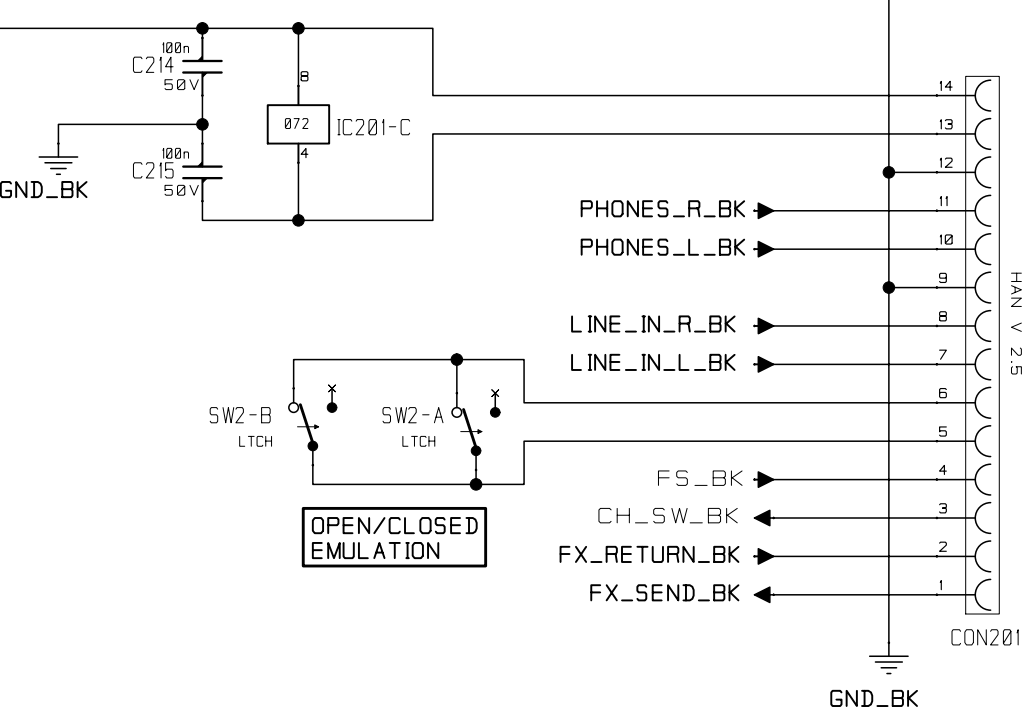
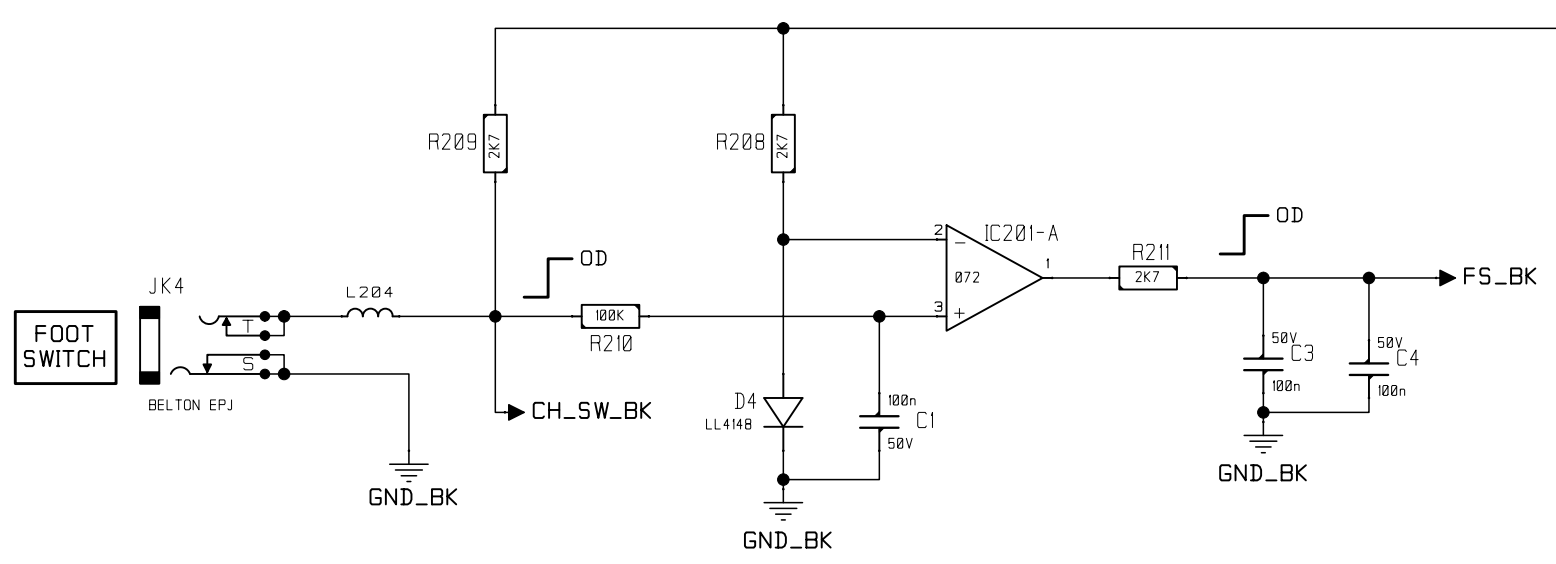
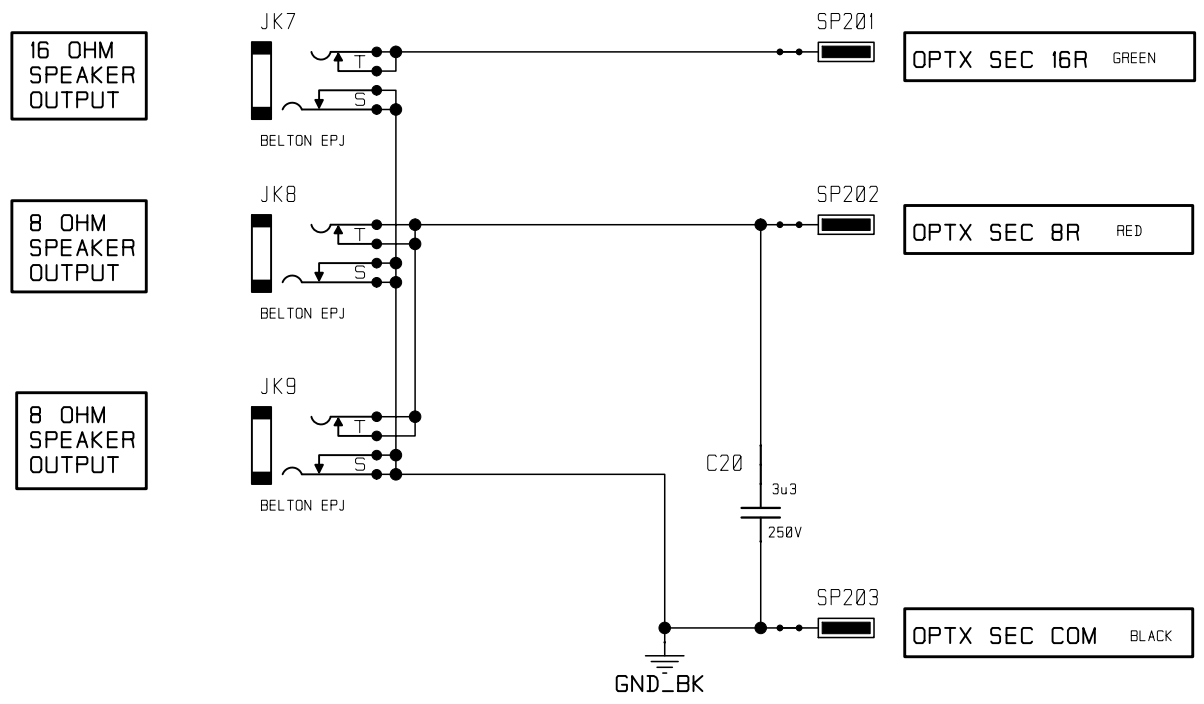
MODEL
HT-5R

SAFETY CRITICAL COMPONENT
REPLACE ONLY WITH THE SAME
TYPE AND RATING

100V AND 120V = T1A1
230V AND 250V = T500mAL



- FIX1
- FIX2
- FIX3
- FIX4
- FIX5
- FIX6



ISSUE	ECO No.	DATE	INITIAL
1C		01-11-11	
1B		04-04-11	
1A		23-02-11	

**Blackstar
AMPLIFICATION**
COPYRIGHT EXISTS ON THIS
DOCUMENT. IT MUST NOT BE USED FOR
ANY PURPOSE OTHER THAN THAT FOR
WHICH IT WAS SUPPLIED AND MUST NOT
BE COPIED IN WHOLE OR PART WITHOUT
WRITTEN PERMISSION OF BLACKSTAR
AMPLIFICATION

DWG No.	ISS: 1C	SHT. 4 OF 4	TITLE
DRAWN BY CLIFF B	DATE 01-11-2011		FX LOOP REAR PANEL
CHECKED BY	DATE		MODEL
APPROVED BY	DATE		HT-5R

HT-5R