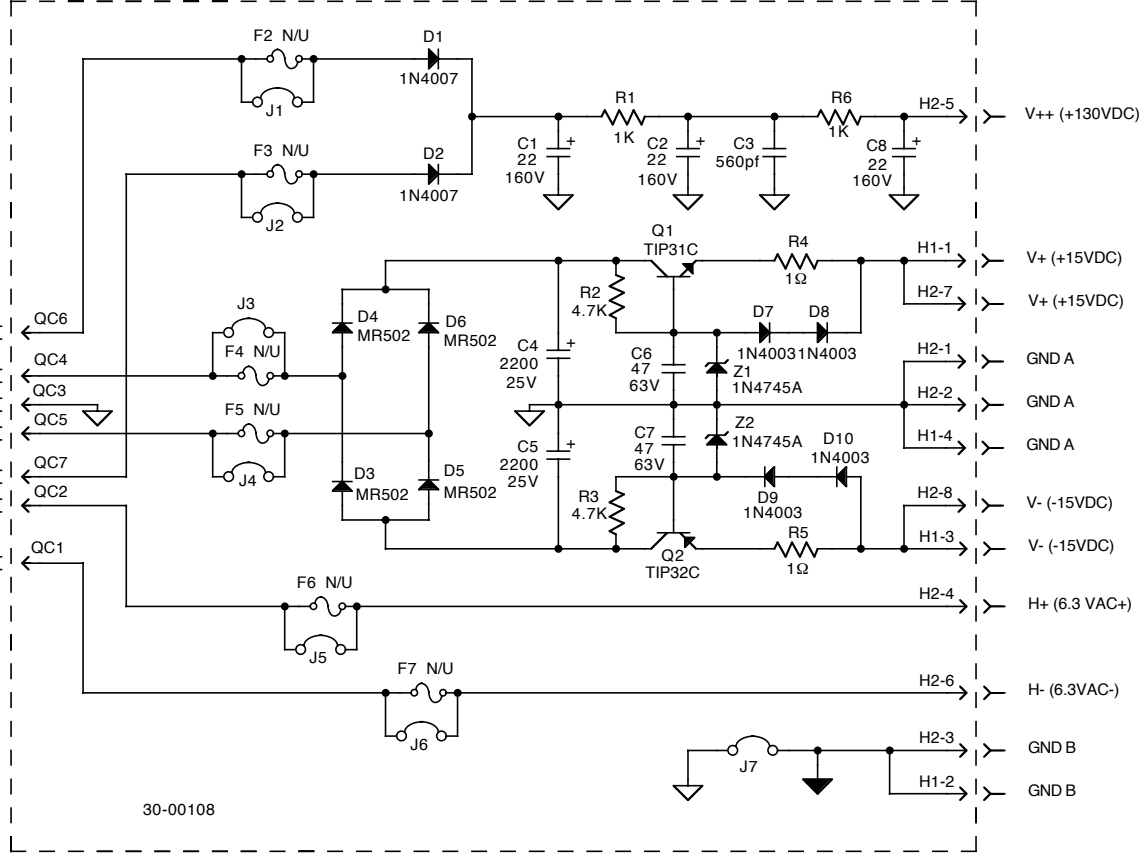
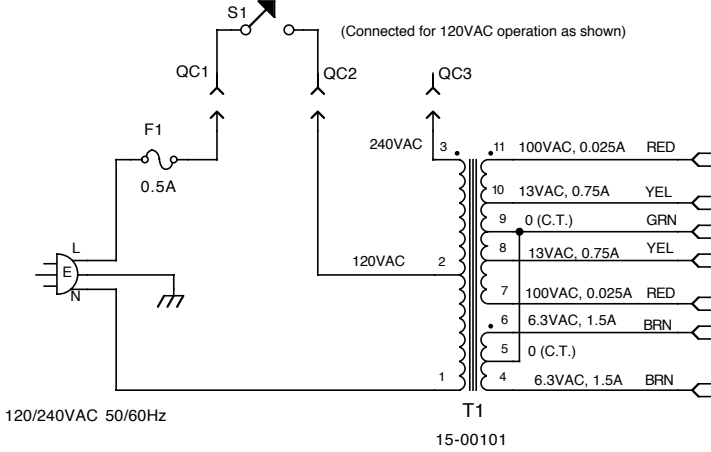


FOR 120VAC, CONNECT S1 TO QC2
 FOR 240VAC, CONNECT S1 TO QC3

Power

(Connected for 120VAC operation as shown)



CARVIN 1155 INDUSTRIAL AVE.
 ESCONDIDO, CA 92029
 (619) 747-1710
 FAX 747-9065

Quad X-Amp

Schematic: 84-00108	Rack Power Supply
DRAWN BY: John L. Murphy	DATE: 14AUG91
APPROVED:	DATE:
PCB 30-00108 NO:	REV: C
ASSY. 80-00108 NO:	REV: D
REVISED BY: J. KENNEDY	DATE: 20APR92

LAST USED LIST

SYM.			
C	8		
D	10		
F	7		
H	2		
JMP	7		
Q	2		
QC	7		
R	6		
Z	2		

3. GND B (DESIGNATED BY THE CLOSED SYMBOL) IS THE HIGH NOISE UTILITY GROUND.
 2. GND A (DESIGNATED BY THE OPEN SYMBOL) IS THE LOW NOISE AUDIO GROUND.
 1. ALL CAPACITORS ARE IN MICROFARADS, EXCEPT AS NOTED.
 NOTES: UNLESS OTHERWISE SPECIFIED.