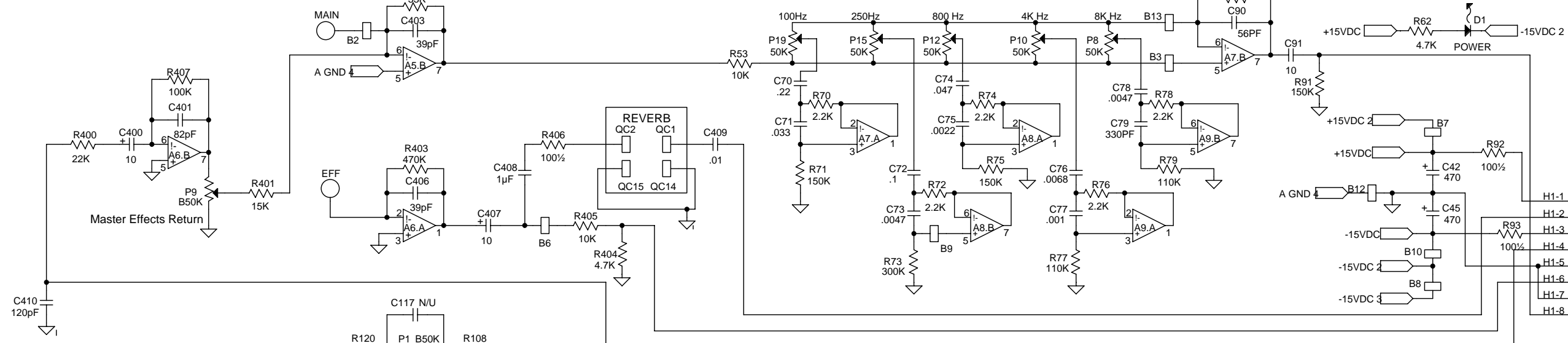
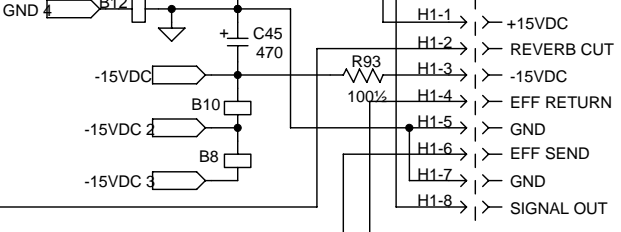


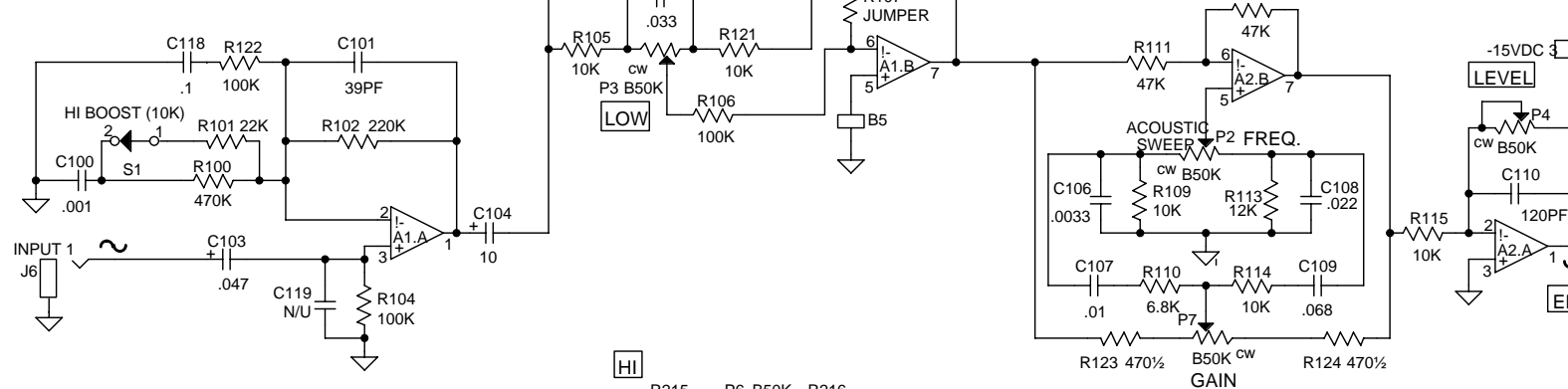
MASTER EFFECTS RETURN



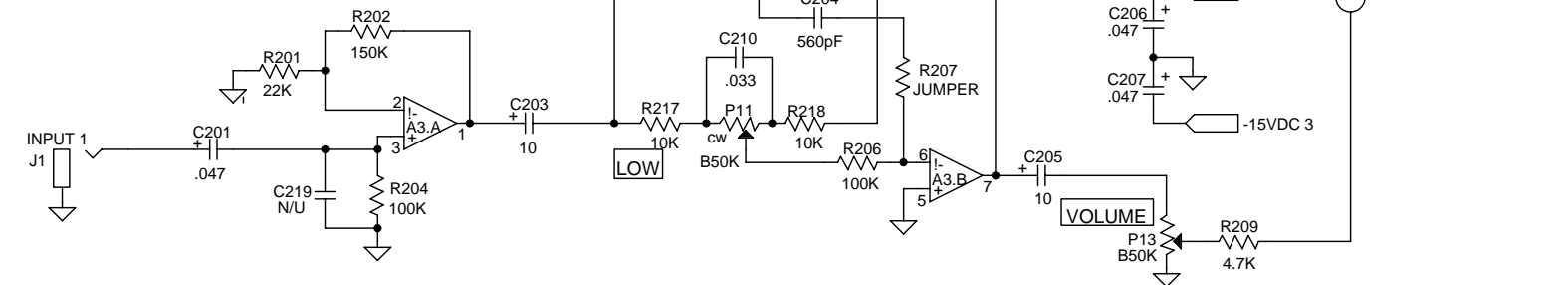
- 4. ALL RESISTORS IN OHMS.
 - 3. ALL CAPACITORS IN MICROFARADS, EXCEPT AS NOTED
 - 2. ALL DIODES ARE TYPE MR752 EXCEPT AS NOTED.
 - 1. ALL GROUNDS ARE GND EXCEPT AS NOTED.
- NOTES: UNLESS OTHERWISE SPECIFIED**



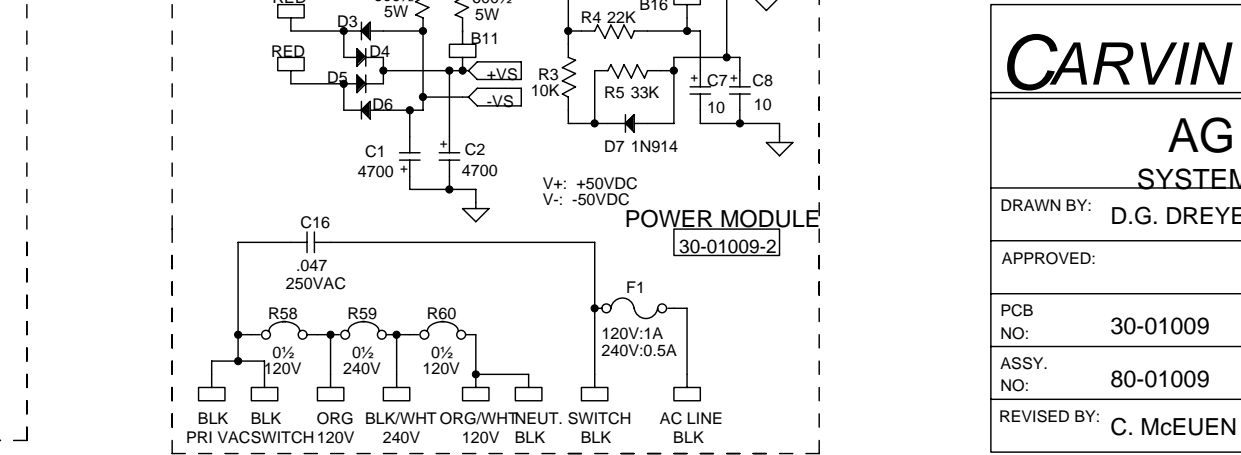
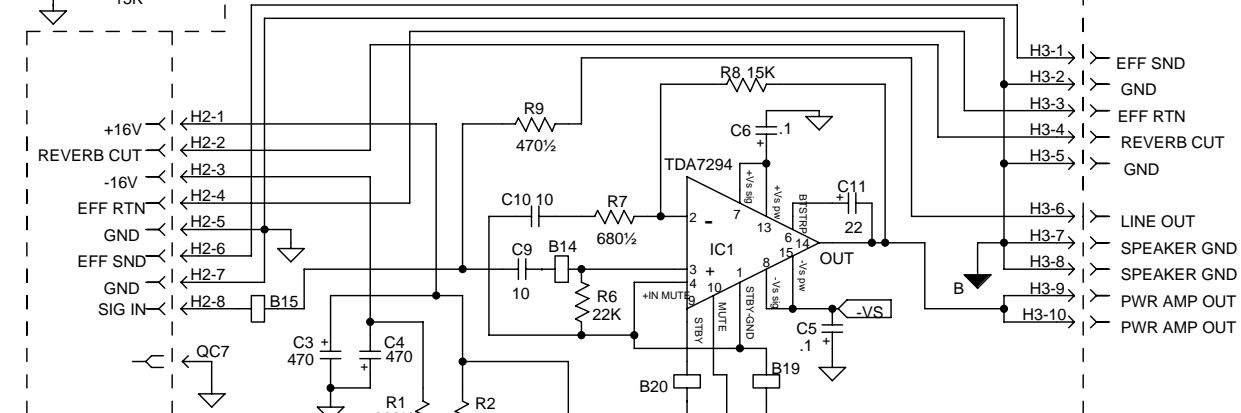
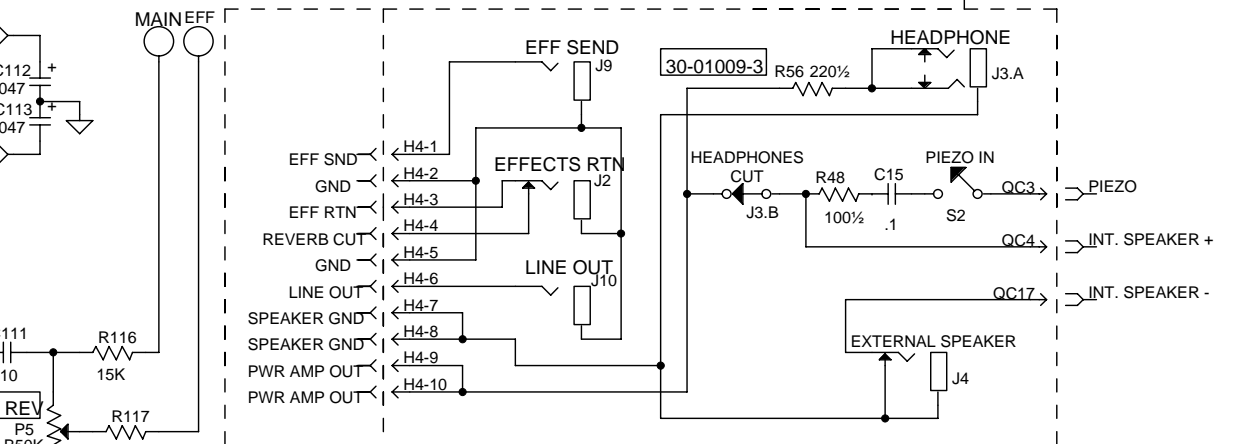
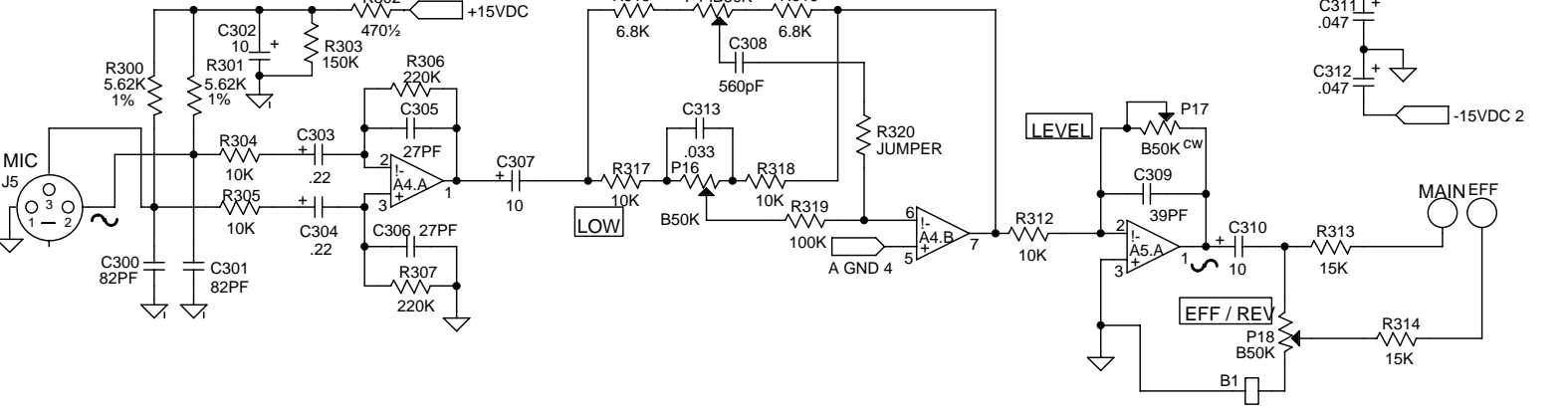
ACOUSTIC GUITAR CHANNEL ONE



CHANNEL TWO



MICROPHONE CHANNEL



CARVIN		1155 INDUSTRIAL AVE. ESCONDIDO, CA 92029 (619) 747-1710 FAX 747-9065	
AG 100			
SYSTEM MASTER			
DRAWN BY:	D.G. DREYER	DATE:	2MAY95
APPROVED:		DATE:	
PCB NO:	30-01009	REV:	A
ASSY. NO:	80-01009	REV:	A
REVISED BY:	C. McEUEEN	DATE:	7AUG95