

4. ADDED AS SECONDARY OPERATION.  
 3. ALL DIODES ARE TYPE 1N4003, EXCEPT AS NOTED.  
 2. ALL CAPACITORS IN MICROFARADS, EXCEPT AS NOTED.  
 1. ALL RESISTORS IN OHMS

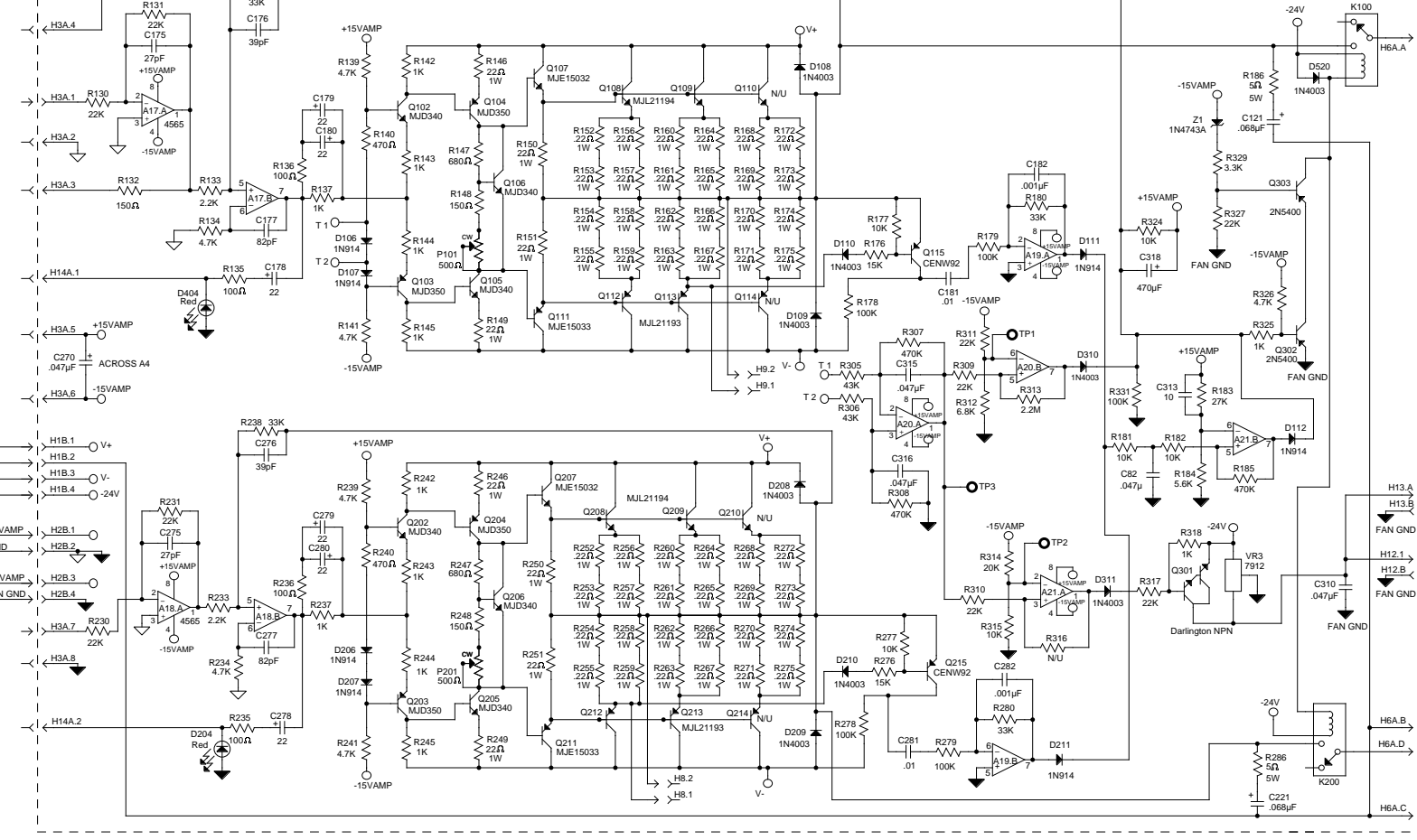
- Changes from Assembly Rev (H3).  
 1. Revised jacks to front panel.  
 2. Revised header numbering.  
 3. Revised PCB to Rev (G).

- Changes from Assembly Rev (H4).  
 1. Moved Clip LEDs to Front PCB: D103, D203.  
 2. Revised headers H3 & H14.  
 3. Revised PCB to Rev (H).

- Changes from Assembly 80-41000 Rev (I).  
 1. R519 from 100Ω to 36Ω.

- Changes from Assembly 80-41000 and 80-40626 Rev (J&I).  
 1. C28 from .022u to .033u.

- CHANGES FOR R1000 ASSEMBLY: 80-41000  
 1. Add Q110, Q210 (Type: MJL 21194).  
 2. Add Q114, Q214 (Type: MJL 21193).  
 3. Add R168-R175, R268-R275 (0.22Ω).  
 4. Change C501, C502 to 10kMf @ 80V.



**CARVIN**  
 12340 World Trade Drive  
 San Diego, CA 92128  
 (858) 487-1600  
 FAX 487-6629

**R600, R1000  
 System Master**

DRAWN BY: GEORGE DREYER	DATE: 10JUNE97
APPROVED:	DATE:
PCB NO: 30-40600	REV: I
ASSY. NO: 80-40626	REV: L1
NO: 80-41000	REV: L1
REVISED BY: C. MCEUEN	DATE: 5NOV99

