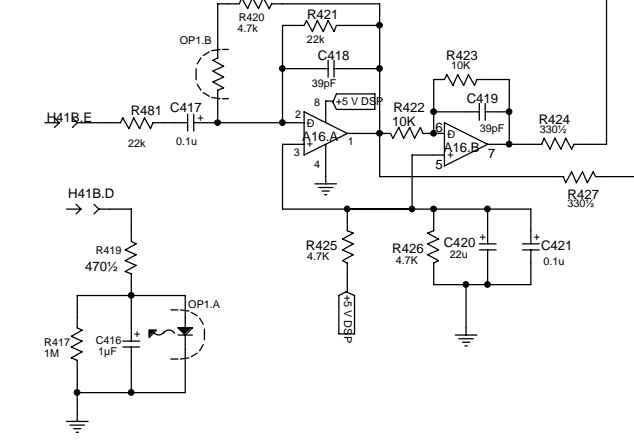


**Channel Logic**

	CH1 ON	CH2 ON	CH3 ON
Pin 20, BIT1(PX_COUT0)	0	1	0
Pin 19, BIT2(PX_COUT1)	0	0	1
CH1 FET+	-15	0	0
CH1 FET-	0	-15	-15
CH2 FET+	0	-15	0
CH2 FET-	-15	0	-15
CH3 FET-switch pressed	-15	-15	0
	CHB1	CHB3	CHB2



12340 World Trade Drive  
San Diego, CA 92128  
(858) 487-1600  
FAX 487-6629

**CARVIN**

**SX 300 Combo/Head**  
DSP SECTION

DRAWN BY: A.J.Ashley      DATE: 9JAN03

APPROVED:      DATE:

PCB NO: 30- 03300      REV: E

ASSY. NO: 80- 03300      REV: E

REVISED BY:      DATE: 8AUG07