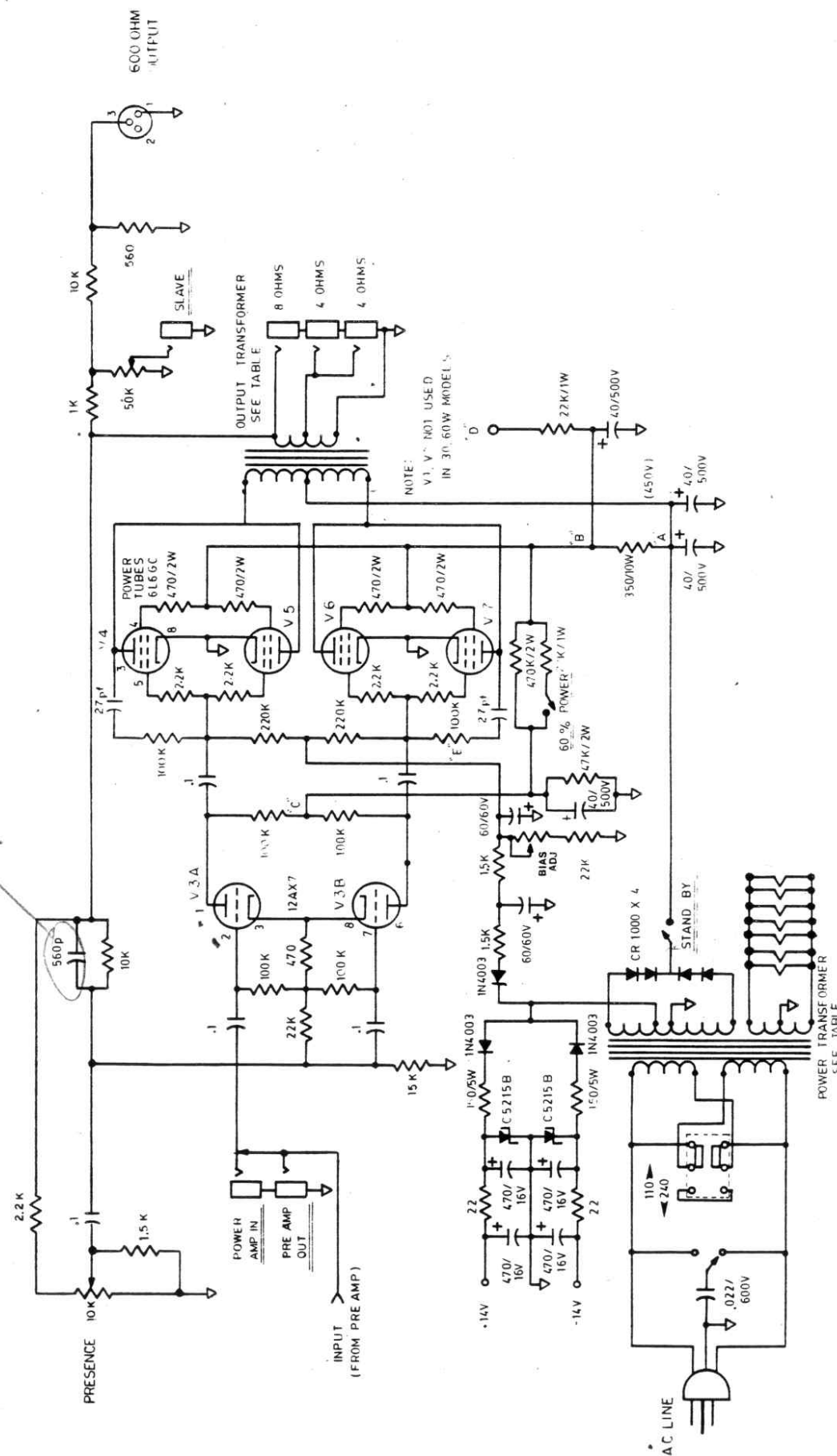


250pf



TRANSFORMER PART No. GUIDE

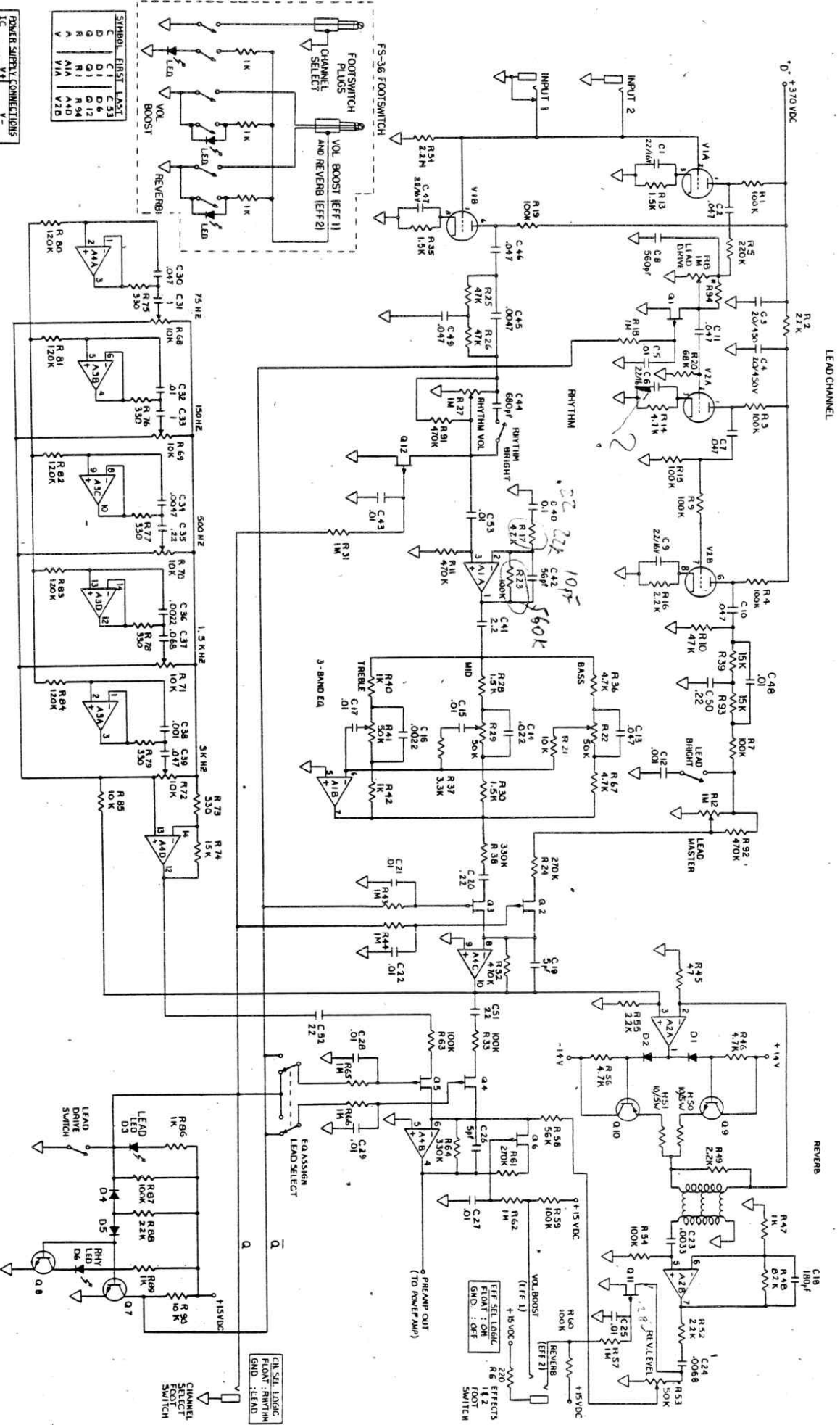
MODEL	WATTS	P. TRANS	O. TRANS
X 30	30W	PT 0300	OT 0600
X 60	60W	PT 211320B	OT 0600
X100	100W	PT 2113240B	OT 1000

REVISIONS	DATE	DRAWN BY J. R. R.	CHECKED BY J. R. R.
25 MARCH 62	11/1/62		
CARVIN CO		X SERIES-TUBE AMP	
		OUTPUT SECTION 30, 60, 100 W MODELS	

SYMBOL	FIRST	LAST
C	C1	C33
D	D1	D6
R	R1	R42
V	V1A	V2B

POWER SUPPLY CONNECTIONS	V+	V-
A1	PN 8	PN 4
A2	0	4
A3	II	7
A4	II	7

\*NOT USED



GRAPHIC EQ

LEAD CHANNEL

REVERB

ALL PATENT RIGHTS RESERVED  
 UNLESS OTHERWISE NOTED  
**CARVIN**  
 1155 INDUSTRIAL AVE.  
 ESCONDIDO, CA.  
 MADE IN U.S.A.  
 SERIES III X-AMP  
 PRE-AMP SECTION 30 60 100W MODELS

PRE-SET LOGIC  
 FLOAT-BRIGHT  
 GND: LEAD

CHANNEL  
 SELECT  
 SWITCH

EFF-SEL LOGIC  
 REVERB  
 GND: SRT

EFF-SEL LOGIC  
 REVERB  
 GND: SRT

PRE-AMP CUT  
 (70 POWER AMP)

VOL BOOST  
 (EFF 1)

REVERB  
 (EFF 2)

REVERB  
 (EFF 2)

REVERB  
 (EFF 2)

REVERB  
 (EFF 2)

REVERB  
 (EFF 2)

REVERB  
 (EFF 2)

REVERB  
 (EFF 2)

REVERB  
 (EFF 2)

REVERB  
 (EFF 2)

REVERB  
 (EFF 2)

REVERB  
 (EFF 2)