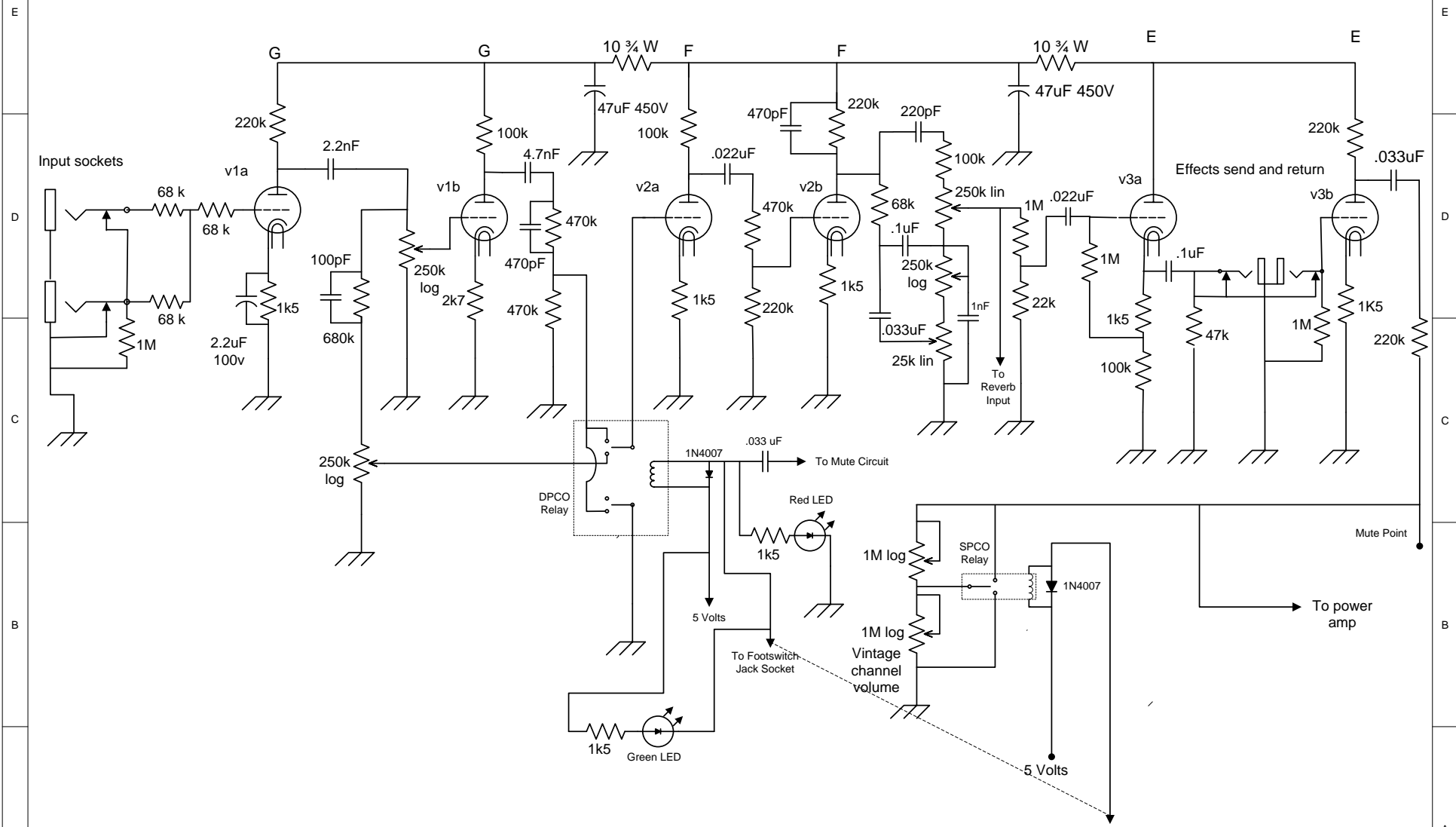


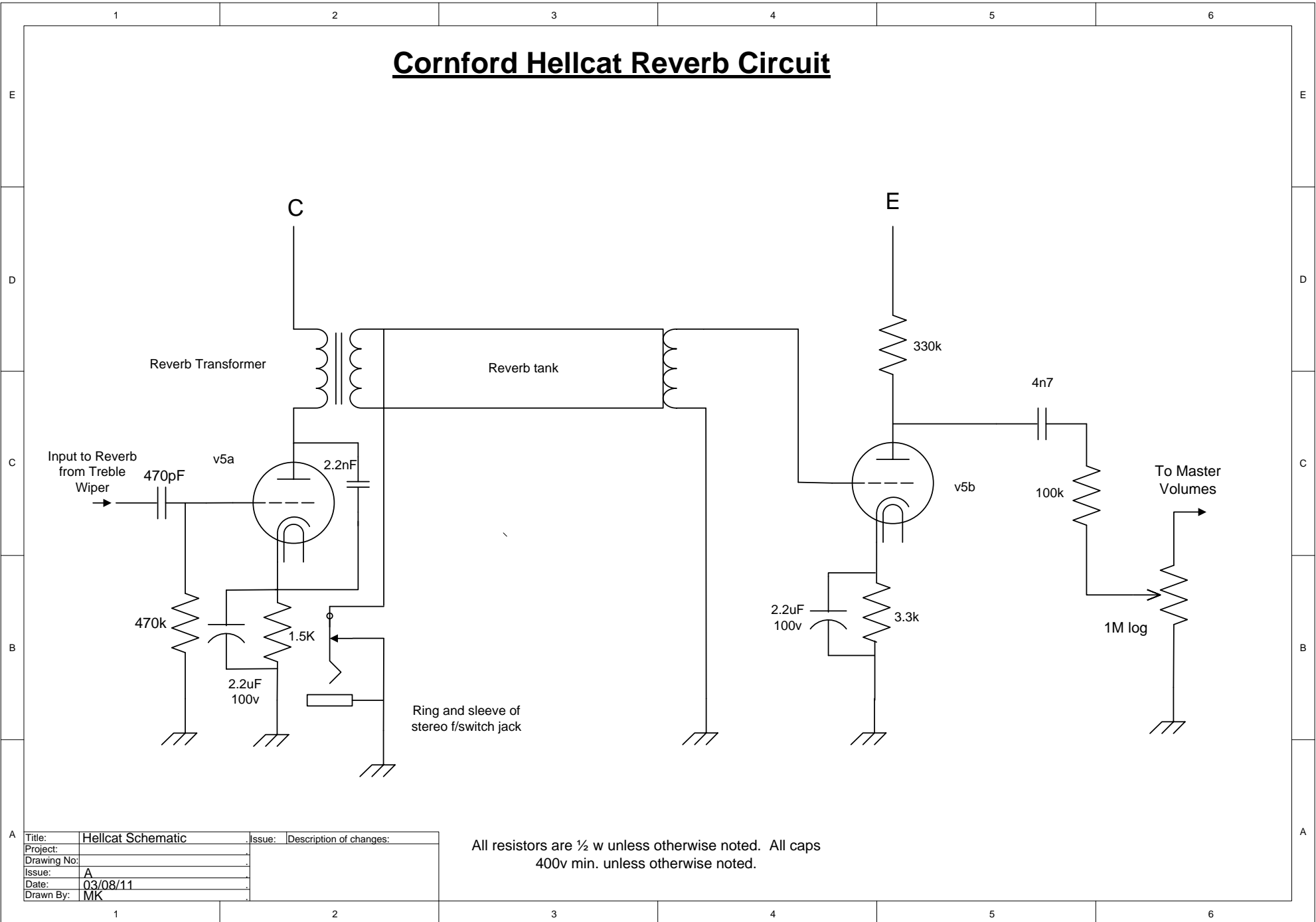
Cornford Hellcat Preamp and Effects Loop



Title:	Hellcat Schematic	Issue:	Description of changes:
Project:			
Drawing No:			
Issue:	A		
Date:	03/08/11		
Drawn By:	MK		

All resistors are 1/2 w unless otherwise noted. All caps
400v min. unless otherwise noted.

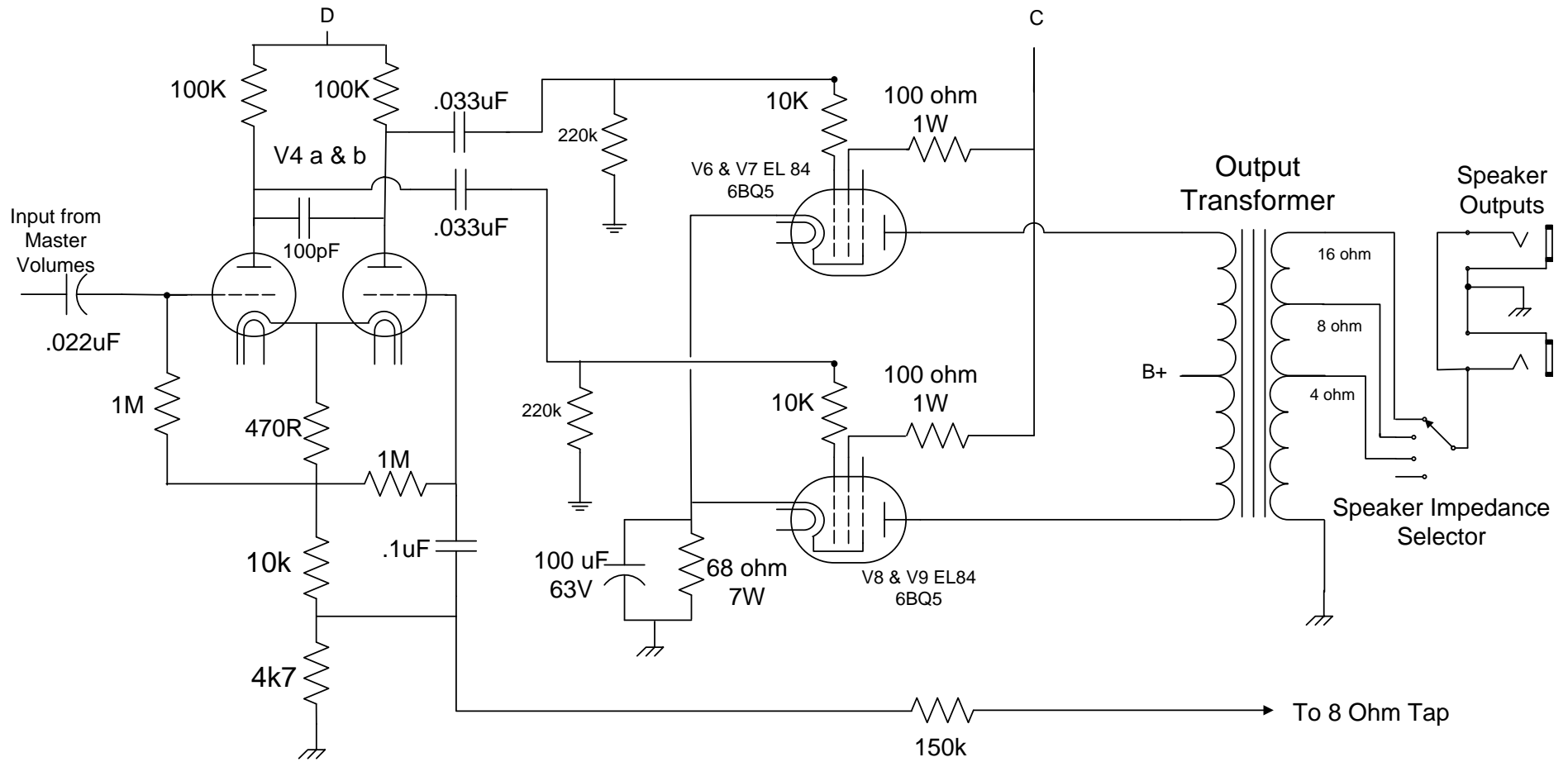
Cornford Hellcat Reverb Circuit



Title:	Hellcat Schematic	Issue:	Description of changes:
Project:			
Drawing No:			
Issue:	A		
Date:	03/08/11		
Drawn By:	MK		

All resistors are ½ w unless otherwise noted. All caps
400v min. unless otherwise noted.

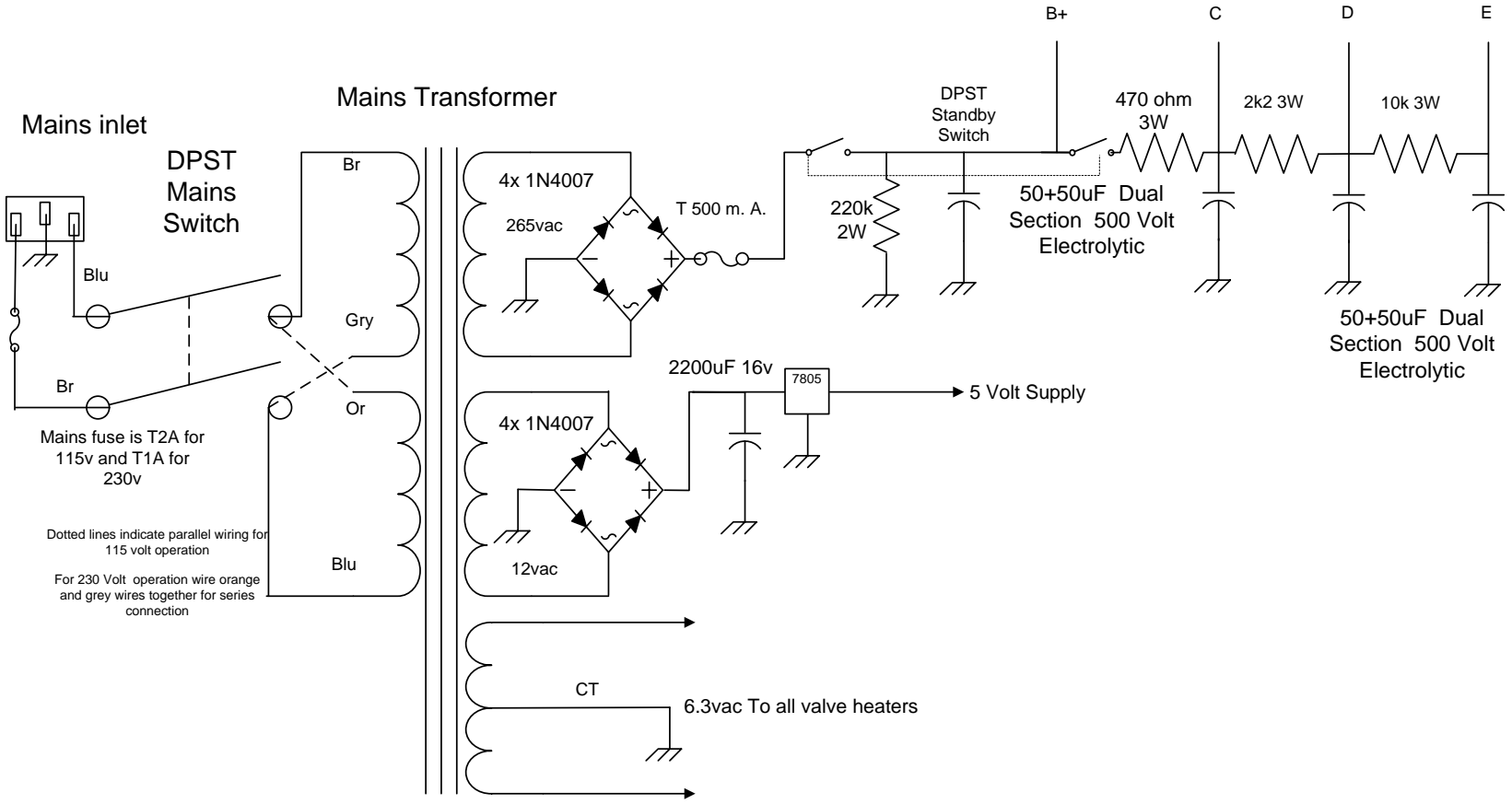
Cornford Hellcat Power Amp Section



Title:	Hellcat Schematic	Issue:	Description of changes:
Project:			
Drawing No:			
Issue:	A		
Date:	03/08/11		
Drawn By:	MK		

All resistors are ½ w unless otherwise noted. All caps
400v min. unless otherwise noted.

Cornford Hellcat Power Supply



Mains fuse is T2A for 115v and T1A for 230v

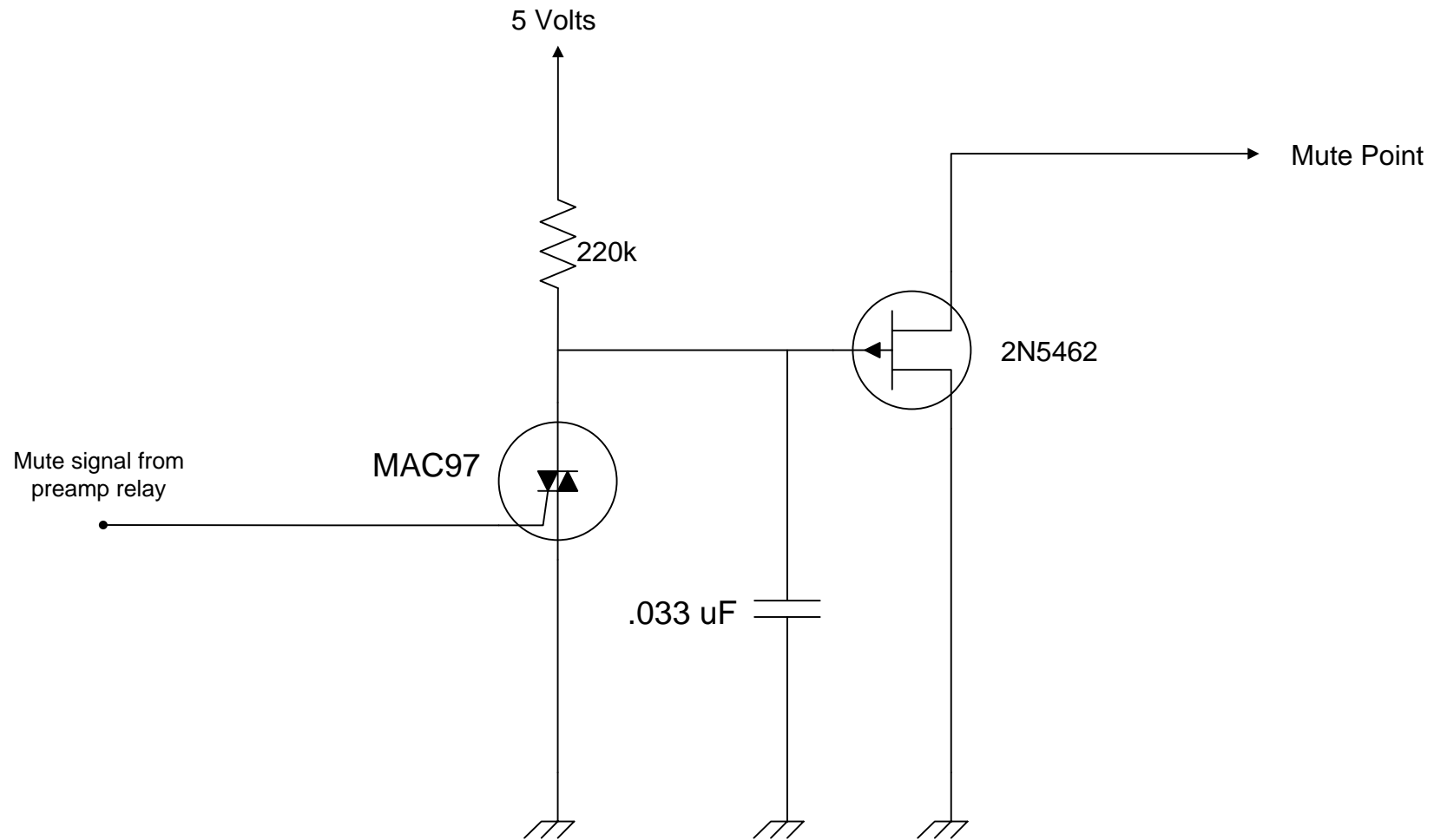
Dotted lines indicate parallel wiring for 115 volt operation

For 230 Volt operation wire orange and grey wires together for series connection

All resistors are 1/2 w unless otherwise noted. All caps 400v min. unless otherwise noted.

Title:	Hellcat Schematic	Issue:	Description of changes:
Project:			
Drawing No:			
Issue:	A		
Date:	03/08/11		
Drawn By:	MK		

Cornford Hellcat Mute Circuit



All resistors are $\frac{1}{2}$ w unless otherwise noted. All caps 400v min. unless otherwise noted.