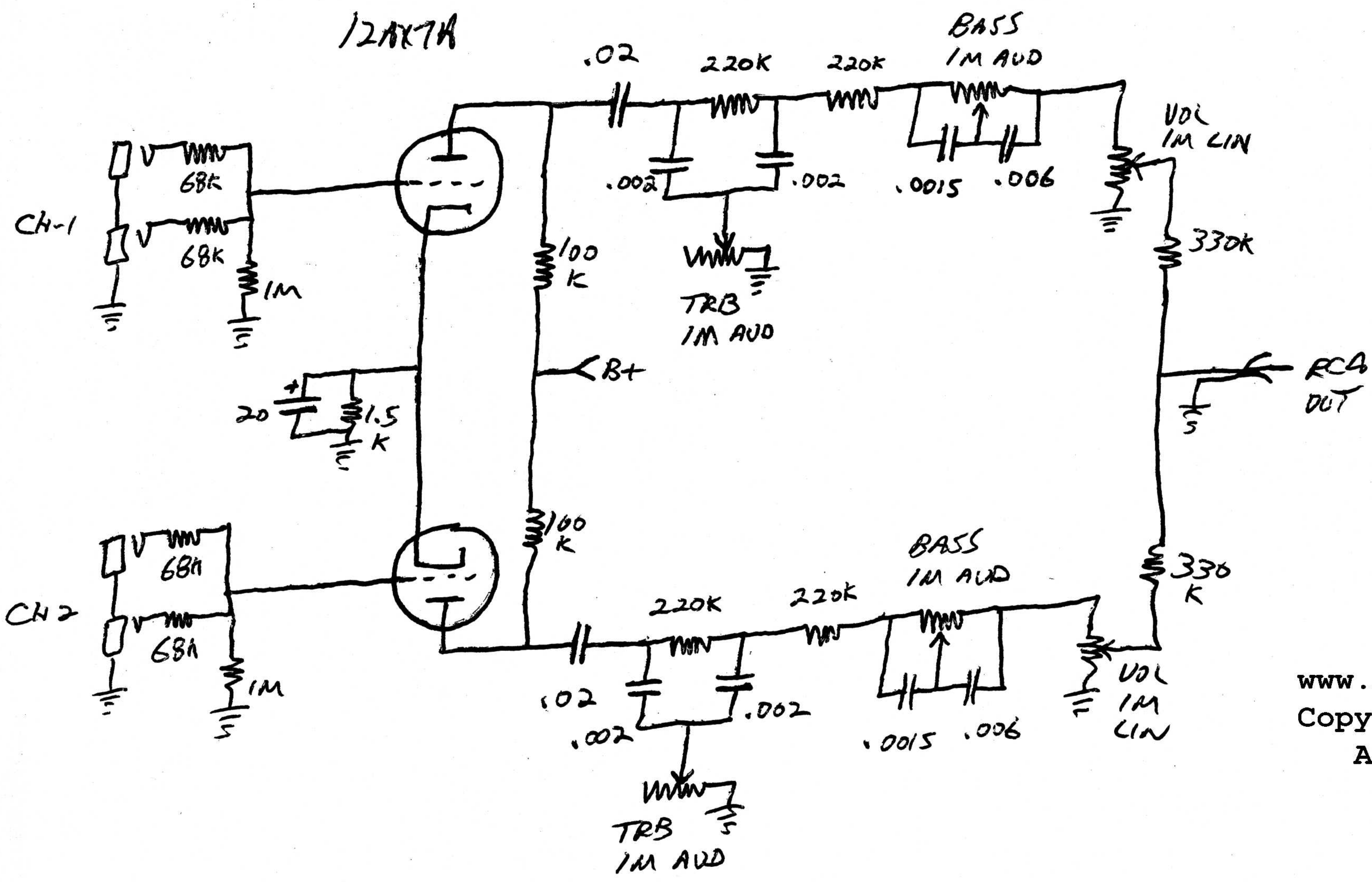


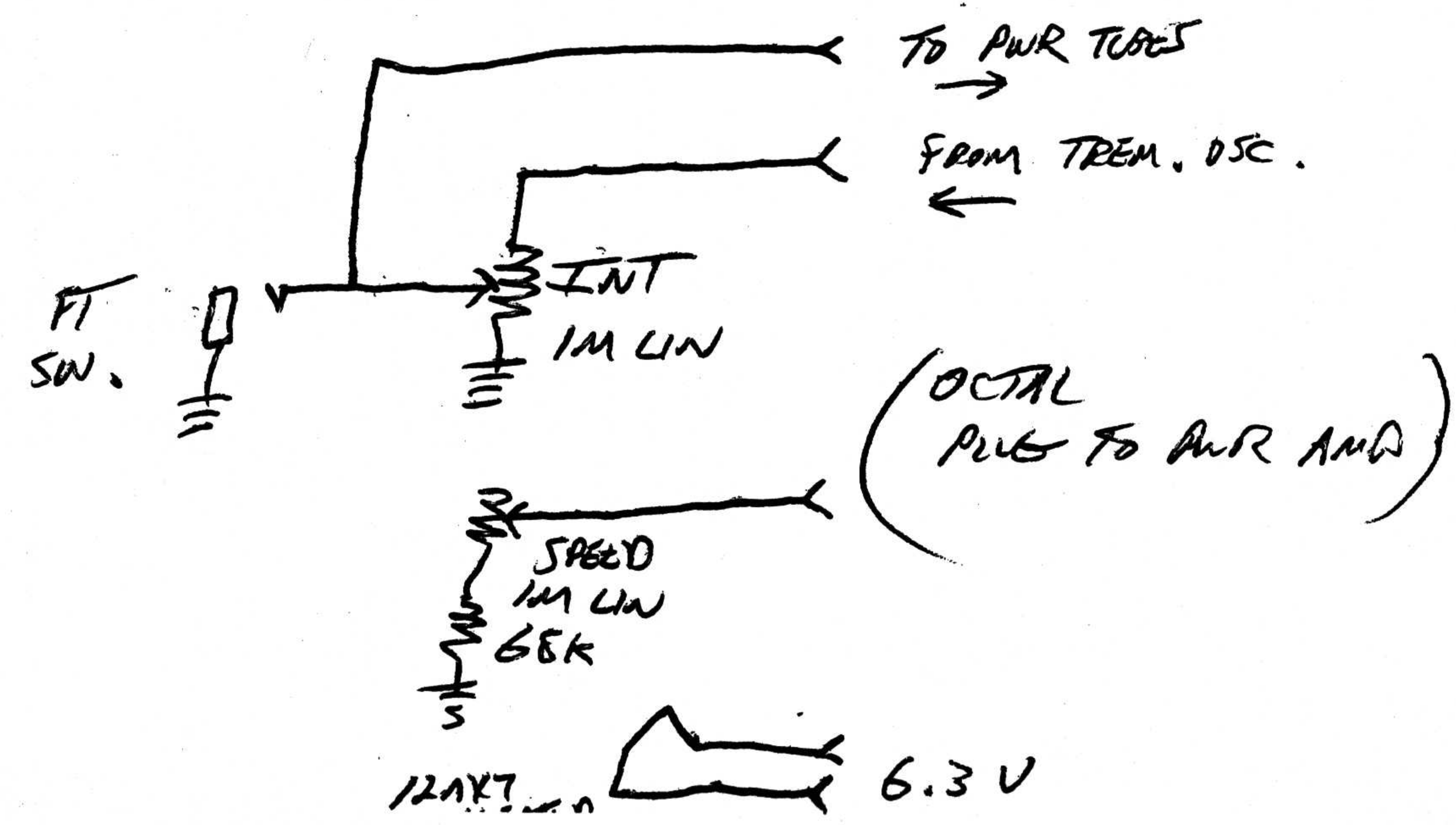
www.AlphaSoundandLight.com
 Copyright 2006 A.D.Forbes
 All Rights Reserved

DAN ELECTRO MODE 214
 TWIN 15 1961

12AX7A



www.AlphaSoundandLight.com
 Copyright 2006 A.D. Forbes
 All Rights Reserved



DRAWN TWIN IS
 FOR PREAMP ONLY
 (C 1960) AF 12-00