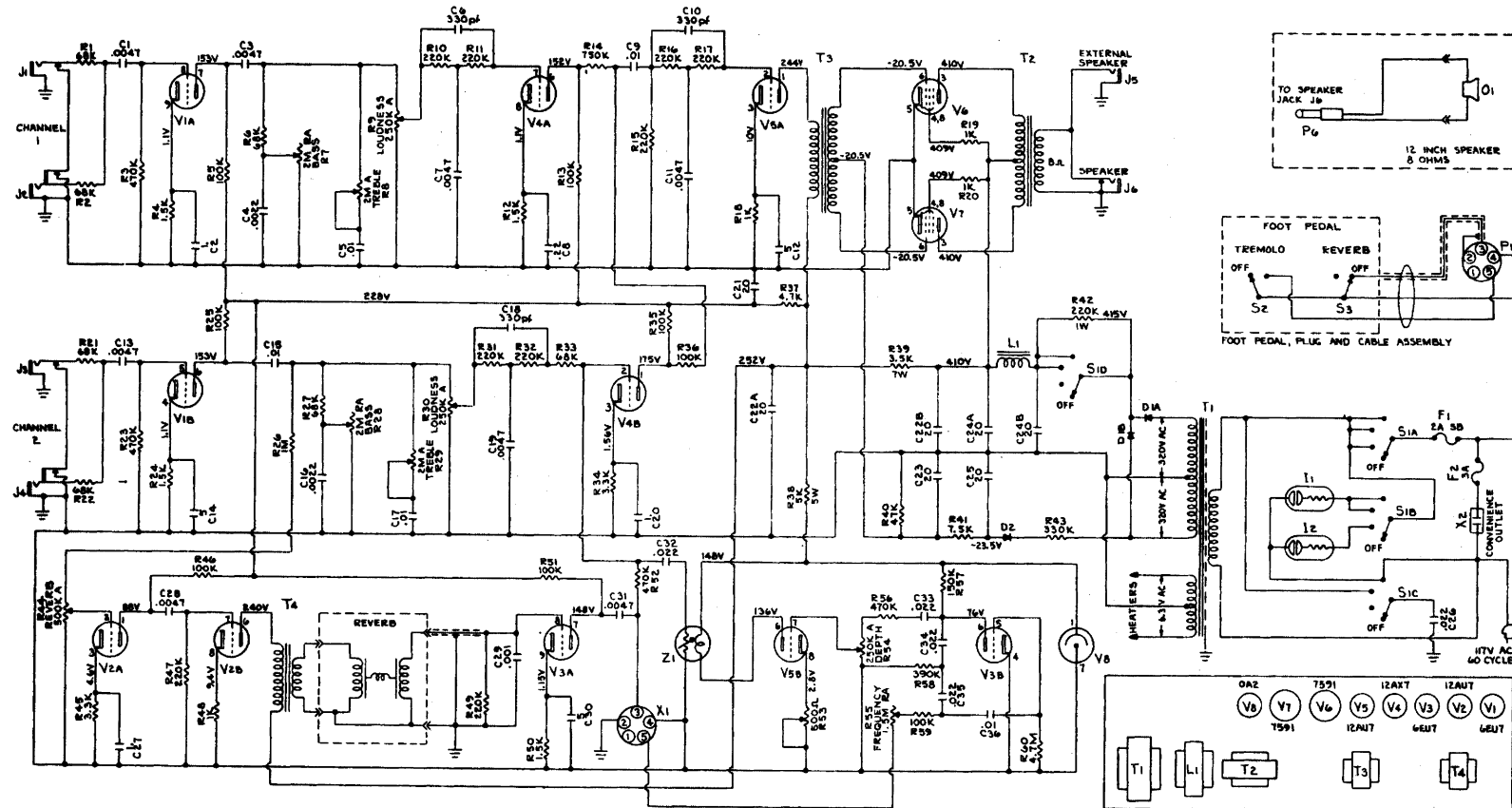


EA16 RVT



- | | | | |
|------------|-----------------------------|----------------|------------------------------|
| T1 | Power Transformer | TF-104P | D1A,B Diode - 1200 PIV DI-57 |
| T2 | Output Transformer | TF-P6417 | D2 Diode - 600 PIV DI-71B |
| T3 | PP Driver Transformer | TF-100ID-1 | CN-78PCG-5 Foot Pedal Socket |
| T4 | Reverb Transformer | TF-E6400 | CN-303 AC Convenience Cutlet |
| L1 | Filter Choke | TF-3021H | |
| S1A,B,C,D | Switch - off, standby-on-on | SW-78A-1 | |
| S2,S3 | Switches - SPST | SW-82403 | |
| I1 | PL-37R Pilot Light (Red) | | |
| I2 | PL-38A Pilot Light (Amber) | | |
| R9,R30,R54 | Control - 250K Audio | CBA-4008 | |
| R8,R29 | Control - 7 meg, audio | CBA-811-3702-1 | |
| R4 | Control - 500K Audio | CBA-4007 | |
| R55 | Control - 1.5 meg, RA | CBA-811-3711-1 | |
| R7,R28 | Control - 1 meg, audio | CBA-811-3709-1 | |

