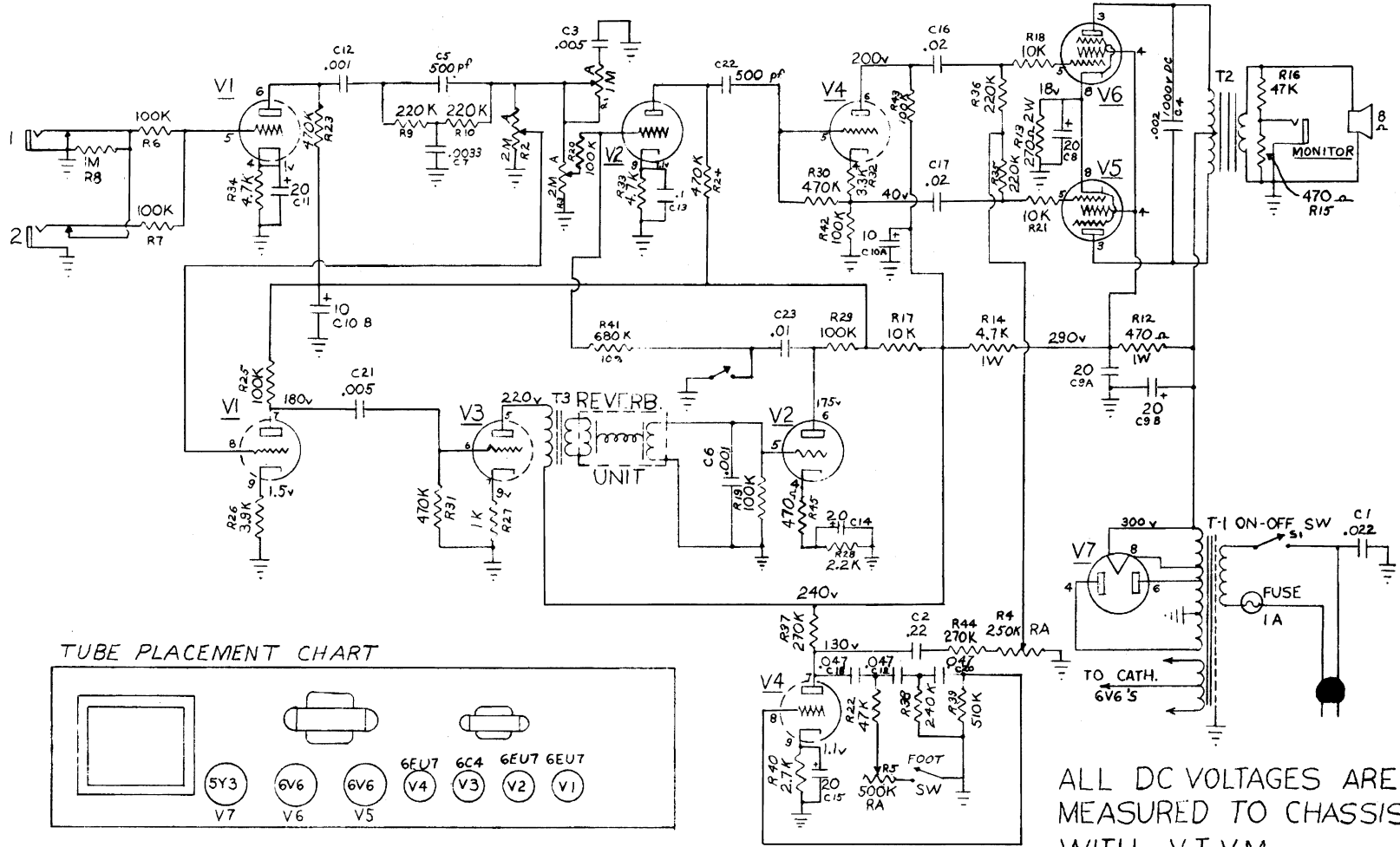


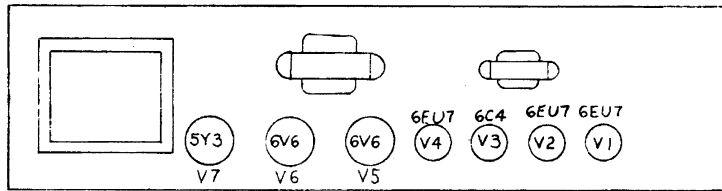
EA28-RVT

- R2,R3 Loudness & Reverb. Control, 2 meg audio taper C-BA-811-3702
- R4 Depth Control, 250K reversed audio C-BA-811-3704
- R5 Frequency Control, 500K reversed audio C-BA-811-3706
- R1 Tone Control, 1 meg audio taper C-BA-811-3709

- T1 Output Transformer TF-18-01
- T2 Power Transformer TF-18P
- T3 Reverberation Transformer TF-B-6400
- S1 Toggle Switch (on-off) with 2 muts SW-80994
- (1) S-20009 12" Speaker S-20009



TUBE PLACEMENT CHART



ALL DC VOLTAGES ARE MEASURED TO CHASSIS WITH V.T.V.M.