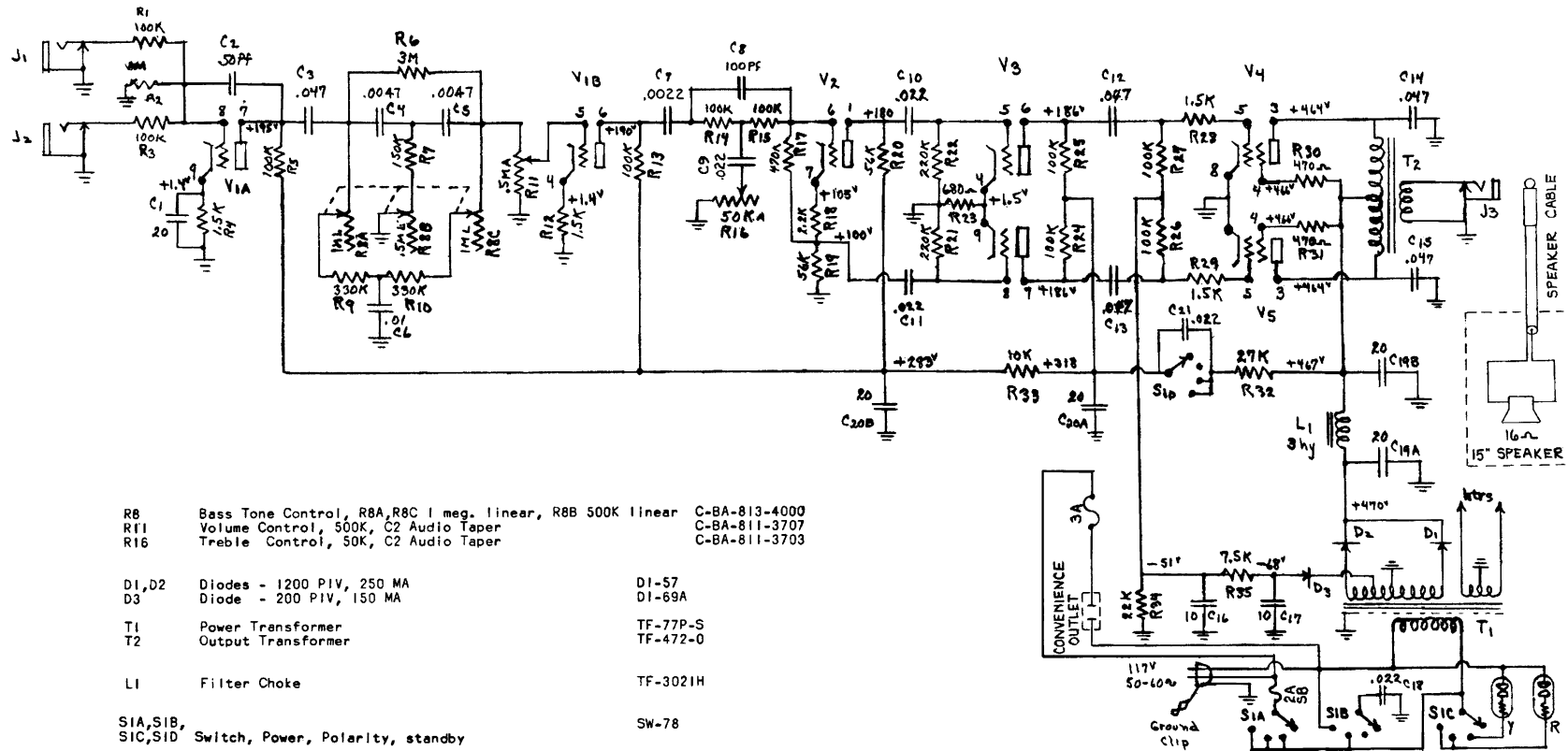


EA-71



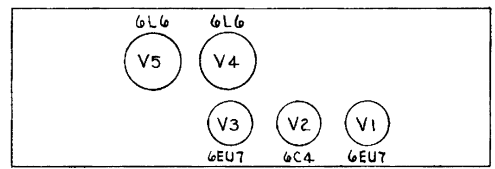
R8 Bass Tone Control, R8A,R8C 1 meg. linear, R8B 500K linear C-BA-813-4000  
 R11 Volume Control, 500K, C2 Audio Taper C-BA-811-3707  
 R16 Treble Control, 50K, C2 Audio Taper C-BA-811-3703

D1,D2 Diodes - 1200 PIV, 250 MA DI-57  
 D3 Diode - 200 PIV, 150 MA DI-69A  
 T1 Power Transformer TF-77P-S  
 T2 Output Transformer TF-472-0

L1 Filter Choke TF-3021H

S1A,S1B, S1C,S1D Switch, Power, Polarity, standby SW-78

15" Speaker, 16 ohm, 40 cycle S-0127



DC VOLTAGES TO CHASSIS WITH V.T.V.M.  
 CAPACITORS IN MFD EXCEPT WHERE NOTED.