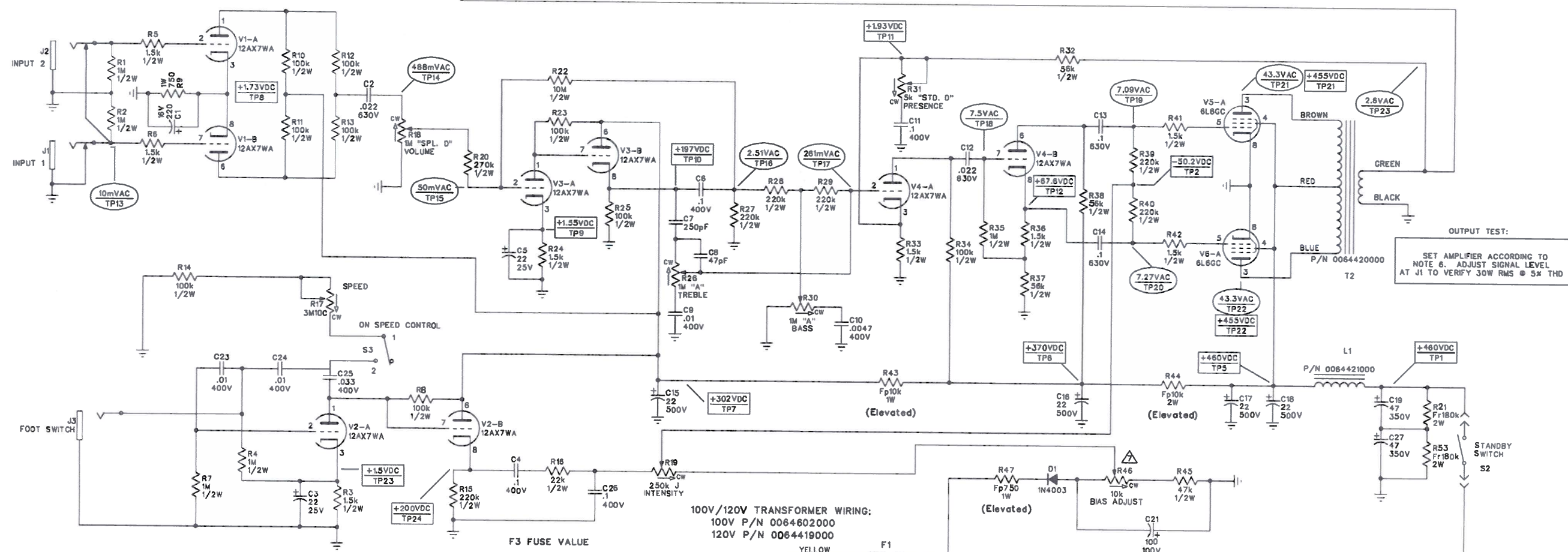
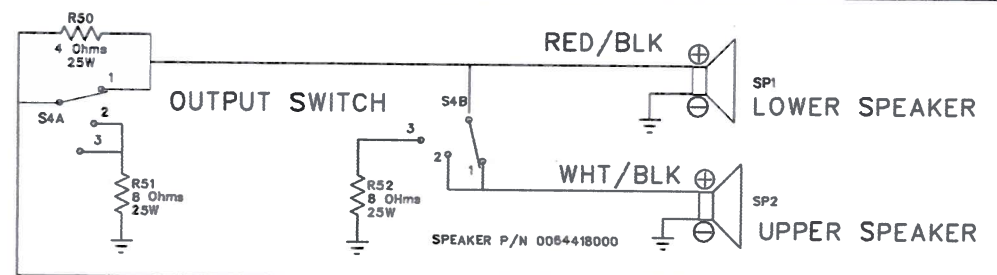


REVISIONS			
REV.	DESCRIPTION	DATE	APPROVED
A	PR1169	27-APR-11	L E L
B	EC 4890	12-JUL-11	L E L
C	EC 4863	14-JUL-11	L E L

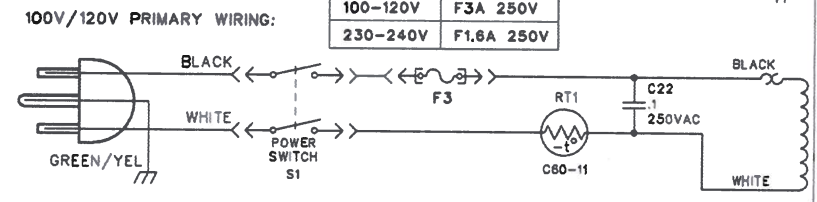
- 1 - FULL
- 2 - 2 SP LOW
- 3 - 1 SP LOW



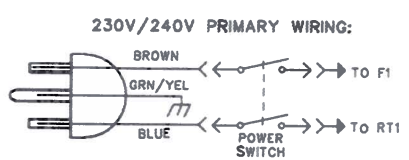
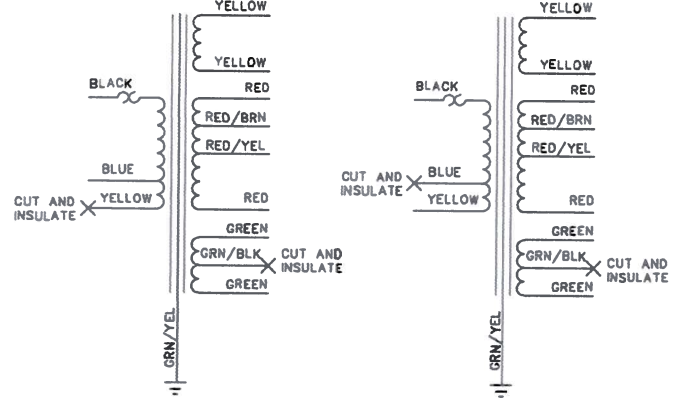
OUTPUT TEST:
SET AMPLIFIER ACCORDING TO NOTE 6. ADJUST SIGNAL LEVEL AT J1 TO VERIFY 30W RMS @ 5% THD

F3 FUSE VALUE

100-120V	F3A 250V
230-240V	F1.6A 250V



230V TRANSFORMER WIRING: 240V TRANSFORMER WIRING:

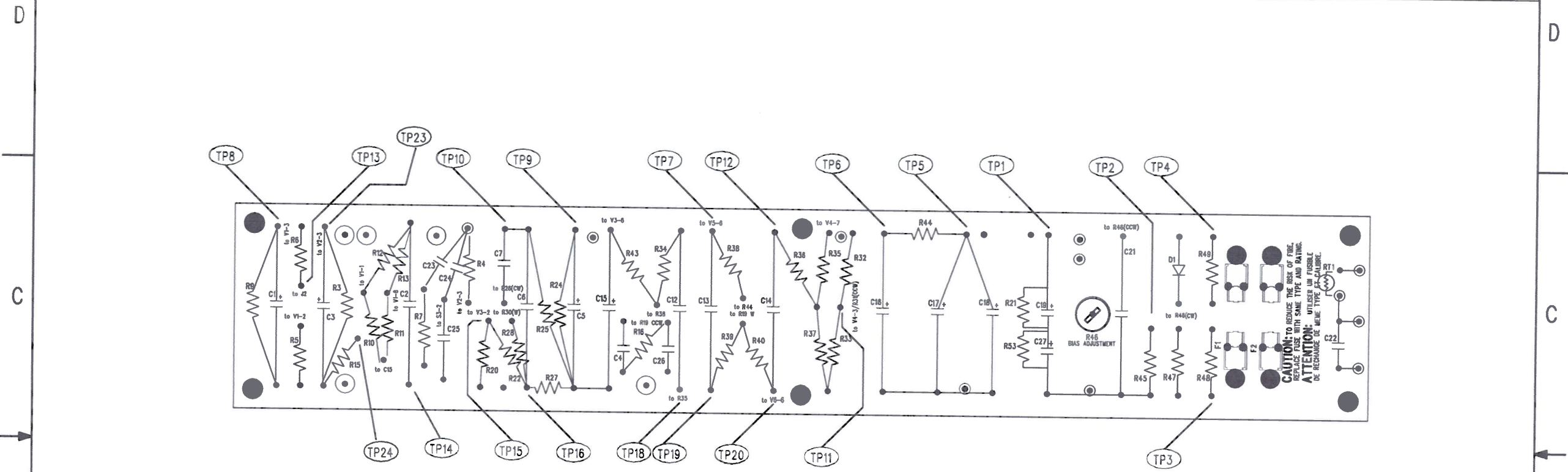


- BIAS ADJUSTMENT - NO SIGNAL APPLIED, RATED LINE VOLTAGE AT AC INPUT. SET BIAS ADJUST POT R48 TO OBTAIN A CATHODE CURRENT OF 33.3mA. VOLTAGE SHOWN AT TP2 IS FOR REFERENCE ONLY.
- ALL VOLTAGES MEASURED WITH RESPECT TO GROUND USING A DVM OF AT LEAST 1M AC INPUT IMPEDANCE AND 10M DC IMPEDANCE. VOLTAGES MAY VARY +/- 20%. TEST CONDITIONS: UNIT AT RATED LINE VOLTAGE. B Ω RESISTIVE LOAD CONNECTED AT EACH SPEAKER OUT. ALL PANEL CONTROLS AT 50% ROTATION. BIAS SET TO ACCORDING TO NOTE 7.
 - ALL DC VOLTAGES MEASURED WITH NO INPUT SIGNAL. ALL AC VOLTAGES MEASURED WITH A 10mVAC 1kHz SINEWAVE AT J1.
 - LAST REFERENCE DESIGNATOR: C26, D1, J4, R52, RT1, V8.
 - THIS SCHEMATIC IS FOR PCB FABRICATION P/N 0081948000 AND PCB ASSEMBLY P/N 0081949000.
 - ALL POLARIZED CAPACITORS IN μ F, 20%; 50V MINIMUM.
 - ALL UNPOLARIZED CAPACITORS IN μ F, 10% OR BETTER; 50V MINIMUM. (POWER SUPPLY BYPASS CAPACITORS ARE 20%).
 - ALL RESISTORS IN OHMS, 5%.
- NOTES: (UNLESS OTHERWISE NOTED)

THIS DOCUMENT CONTAINS INFORMATION OF A PROPRIETARY NATURE TO FENDER MUSICAL INSTRUMENTS AND IS SUBMITTED TO YOU IN CONFIDENCE AND SHALL NOT BE DISCLOSED OR TRANSMITTED TO OTHERS WITHOUT AUTHORIZATION FROM FENDER MUSICAL INSTRUMENTS.		MUSICAL INSTRUMENTS Corona, CA U.S.A.		
CHECKED BY: PKC	DATE: 29-5-11			TITLE: SERVICE DIAGRAM, COMBINED (schematic)
APPROVED BY: [Signature]	DATE: 01-10-11	SIZE: C	DRAWING NUMBER: 0081950000	REV. C
DRAWN: L.LORENZEN ENGR: L.LORENZEN		RELEASE DATE: 11-OCT-10 SHEET: 1 OF 2		
DATABASE FILE: Z1169S.SCH				

8 | 7 | 6 | 5 | 4 | 3 | 2 | 1

REVISIONS			
REV.	DESCRIPTION	DATE	APPROVED
A	PR1169	16-FEB-11	L E L
B	EC 4890	28-APR-11	L E L
C	EC 4863	14-JUL-11	L E L



FILM/DWG: SERVICE DIAGRAM
 DATABASE: Z1169P.PCB DATE: 16-FEB-11

2. SEE PAGE 1 FOR NOTES AND TEST CONDITIONS
 1. WIRES NOT SHOWN FOR CLARITY
 NOTES: (UNLESS OTHERWISE NOTED)

THIS DOCUMENT CONTAINS INFORMATION OF A PROPRIETARY NATURE TO FENDER MUSICAL INSTRUMENTS AND IS SUBMITTED TO YOU IN CONFIDENCE AND SHALL NOT BE DISCLOSED OR TRANSMITTED TO OTHERS WITHOUT AUTHORIZATION FROM FENDER MUSICAL INSTRUMENTS.		MUSICAL INSTRUMENTS Corona, CA U.S.A.	
CHECKED BY: <i>PK</i>	TITLE: SERVICE DIAGRAM, COMBINED (PCB assy) TWINOLUX		
DATE: 29-JUL-11	SIZE: C	DRAWING NUMBER: 0081950000	REV. C
APPROVED BY: <i>[Signature]</i>	RELEASE DATE: 16-FEB-11 SHEET 2 OF 2		
DATE: 01-AUG-11	DATABASE FILE: Z1169P.PCB		
DRAWN: LORENZEN ENGR: LORENZEN			

8 | 7 | 6 | 5 | 4 | 3 | 2 | 1