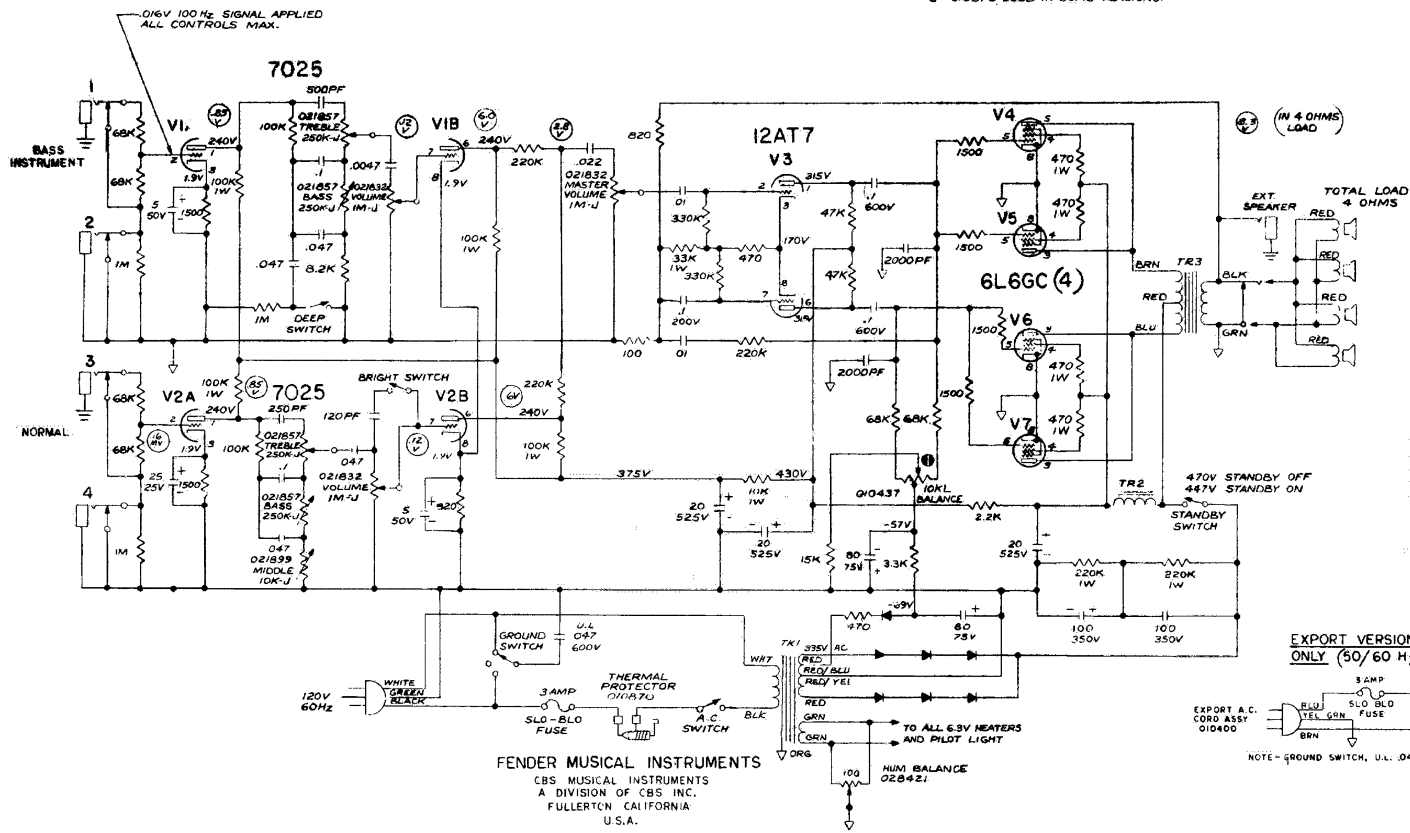


FENDER MODEL BASSMAN 100-AMP

THIS PRODUCT MANUFACTURED UNDER ONE OR MORE OF THE FOLLOWING U.S. PATENTS:
 #281776 #2973681 #192659 AND PATENTS PENDING.

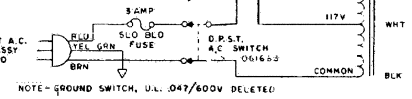
NOTES:

1. VOLTAGES READ TO GROUND WITH V.T.V.M.
2. ALL RESISTORS 1/2 WATT 10% TOLERANCE IF NOT SPECIFIED.
3. ALL CAPACITORS ARE AT LEAST 600V RATING IF NOT SPECIFIED.
4. (V) ARE A.C. VOLTAGES, FOR TEST ASSISTANCE.
5. 010B70 USED IN SOME VERSIONS.



CBS PART NO.	ON EXPORT MODEL
022764	TR1-125P34AK
022756	TR1-125P34A
022699	TR2-125C1A
021667	TR3

EXPORT VERSIONS ONLY (50/60 Hz)



FENDER MUSICAL INSTRUMENTS
 CBS MUSICAL INSTRUMENTS
 A DIVISION OF CBS INC.
 FULLERTON CALIFORNIA
 U.S.A.

CBS MUSICAL INSTRUMENTS
 FULLERTON, CALIFORNIA

— SCHEMATIC —
BASSMAN 100WATTS
 R.M.S. AMP T.T.

DWG. NO. **010303** **F**