

# BASSMAN 135

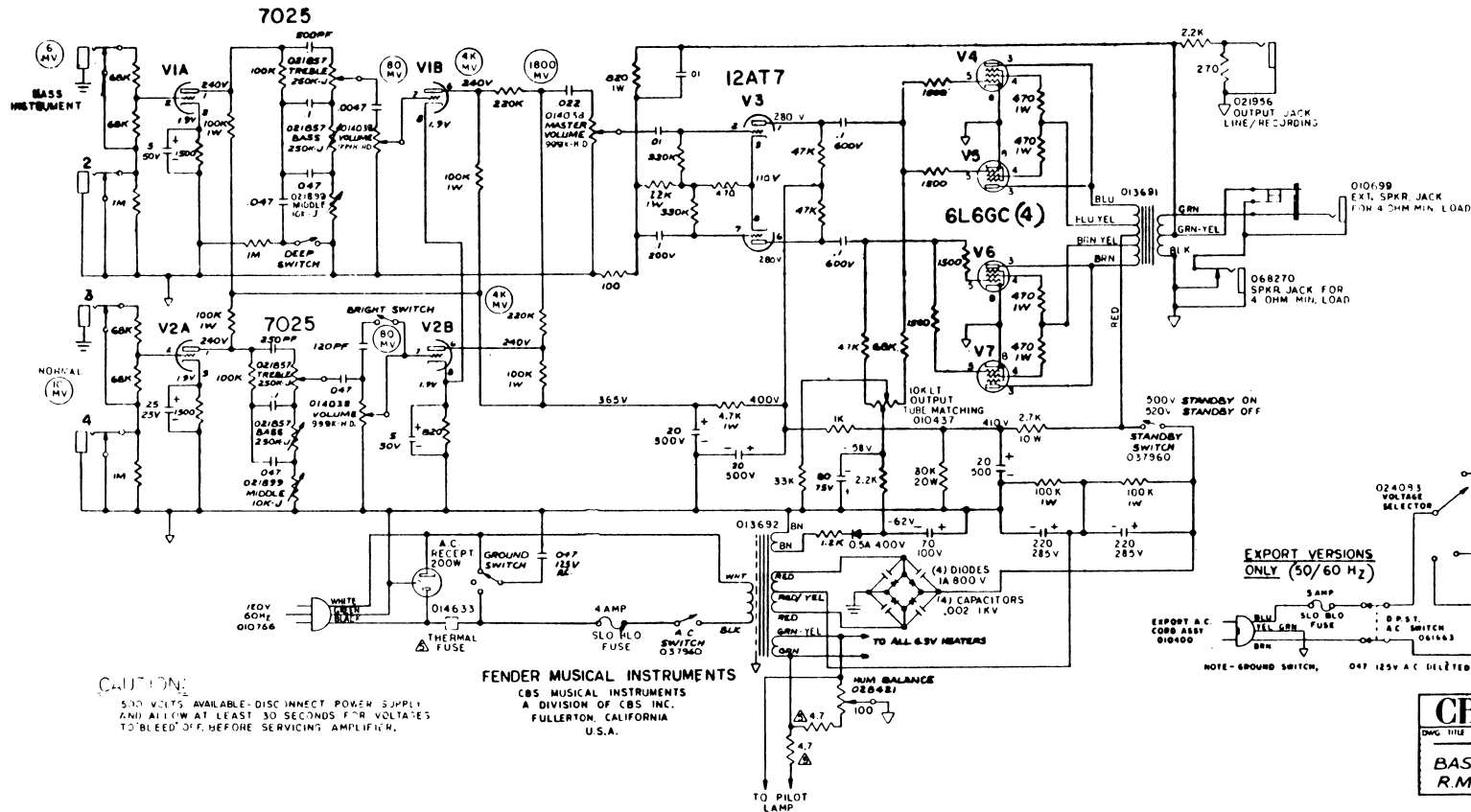
# Fender

## BASSMAN 135

THIS PRODUCT MANUFACTURED UNDER ONE OR MORE OF THE FOLLOWING U.S. PATENTS #2,817,718 #2,973,881, #1,926,559 AND PATENTS PENDING

### NOTES:

- 1 VOLTAGES READ TO GROUND WITH V.T.V.M.
- 2 ALL RESISTORS 1/2 WATT 10% TOLERANCE IF NOT SPECIFIED.
- 3 ALL CAPACITORS ARE AT LEAST 600V RATING IF NOT SPECIFIED.
- 4 (MV) ARE AC VOLTAGES, FOR TEST ASSISTANCE. DENOTES TYPICAL 100Hz SIGNAL REQUIRED TO PRODUCE 10 WATTS OUTPUT WITH ALL CONTROLS SET TO MAXIMUM.
- A. USES IN SOME VERSIONS.



1. 2 SAMPLES OF THIS ARTICLE PARTS MUST BE APPROVED BY CBS @ D.M.S. BEFORE STARTING PRODUCTION.  
NOTE: UNLESS OTHERWISE SPECIFIED