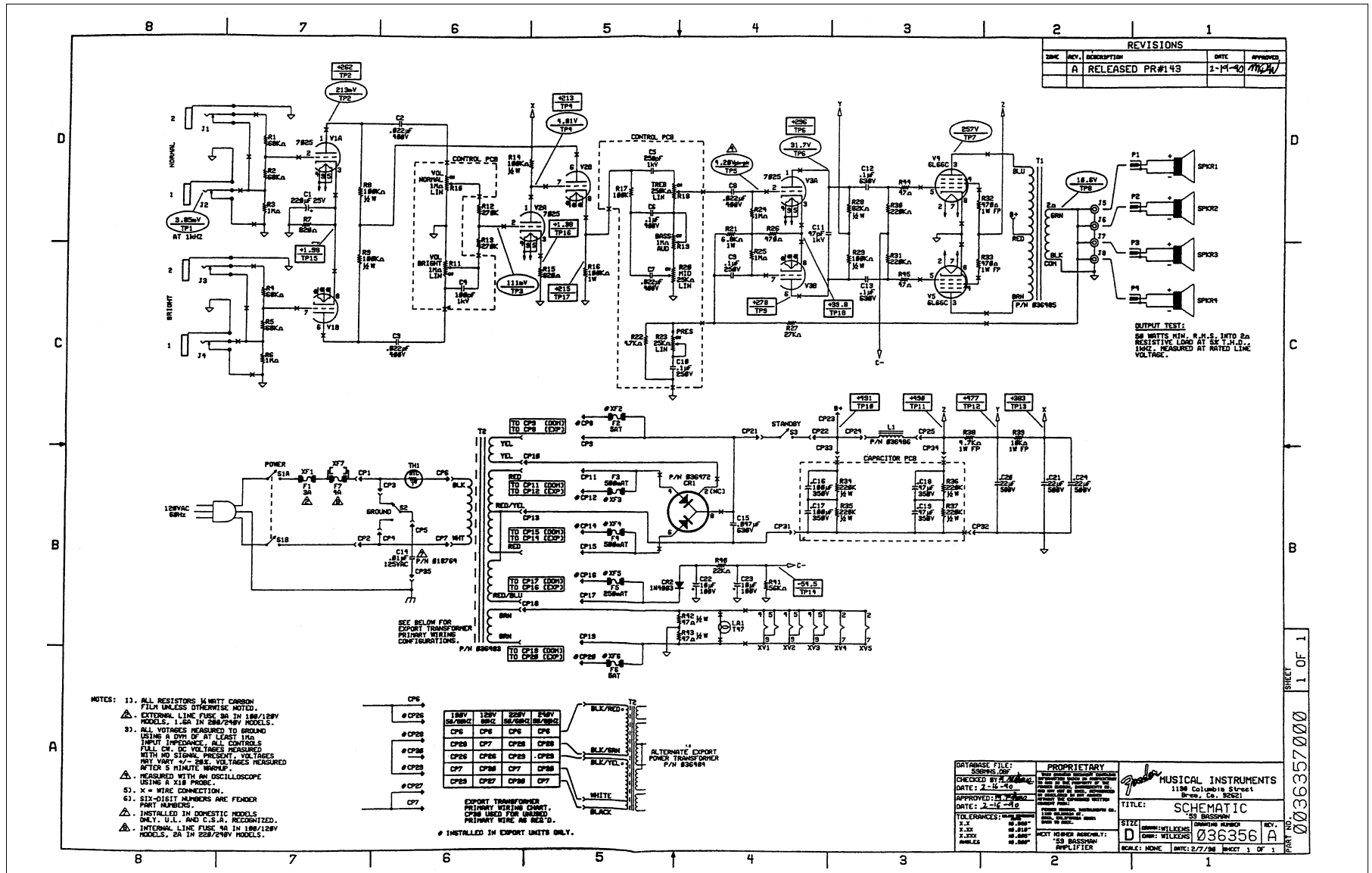


BASSMAN 59 (REV A)

Fender



SHEET 1 OF 1
 0036357000

DATABASE FILE: 58BPM5.SDF CHECKED BY: JAC DATE: 2-16-60 APPROVED BY: JAC DATE: 2-16-60	PROPRIETARY THIS DOCUMENT IS THE PROPERTY OF FENDER MUSIC INSTRUMENTS CO. IT IS TO BE KEPT IN CONFIDENCE AND NOT REPRODUCED OR TRANSMITTED IN ANY FORM OR BY ANY MEANS, ELECTRONIC OR MECHANICAL, INCLUDING PHOTOCOPYING, RECORDING, OR BY ANY INFORMATION STORAGE AND RETRIEVAL SYSTEM.	MUSICAL INSTRUMENTS 1128 Columbia Street Fullerton, Ca. 92621
TOLERANCES: ± 1% ± 5% ± 10% ± 20% ± 50%	NEXT HIGHER RESOLUTION: 1/2" MINIMUM 1/4" MINIMUM 1/8" MINIMUM 1/16" MINIMUM	TITLE: SCHEMATIC SIZE: 11" X 17" DRAWN BY: JAC CHECKED BY: JAC DATE: 2/7/60 SHEET 1 OF 1