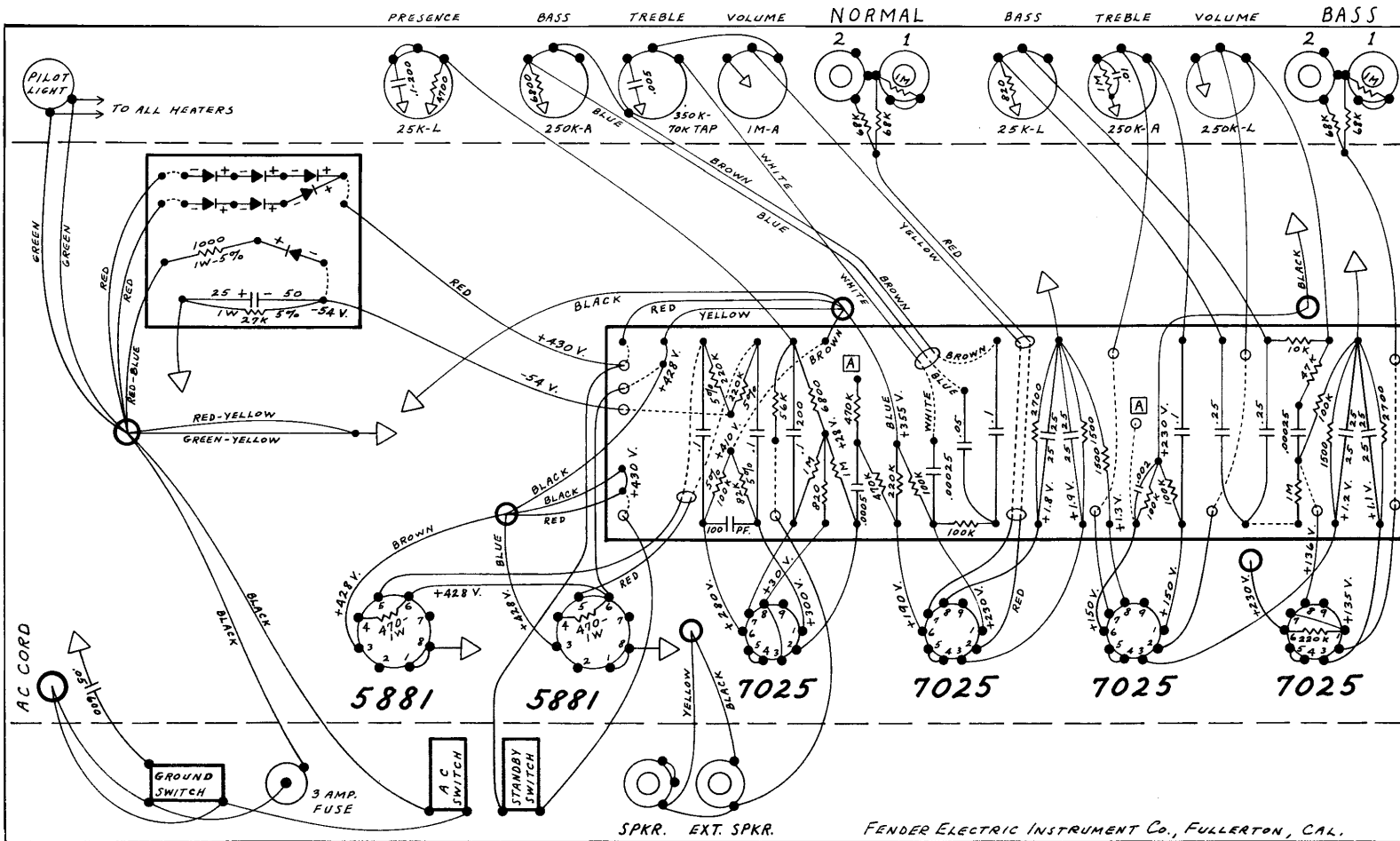


FENDER "BASSMAN" LAYOUT P/B  
MODEL 6G6-B E-FB

NOTE

VOLTAGES READ TO GROUND WITH ELECTRONIC  
VOLTMETER. VALUES SHOWN + OR - 20%



NOTE - ALL RESISTORS 1/2W-10% TOLERANCE IF NOT SPECIFIED.

NOTE - ALL CAPACITORS AT LEAST 400 VOLT RATING IF NOT SPECIFIED.

FENDER ELECTRIC INSTRUMENT Co., FULLERTON, CAL.

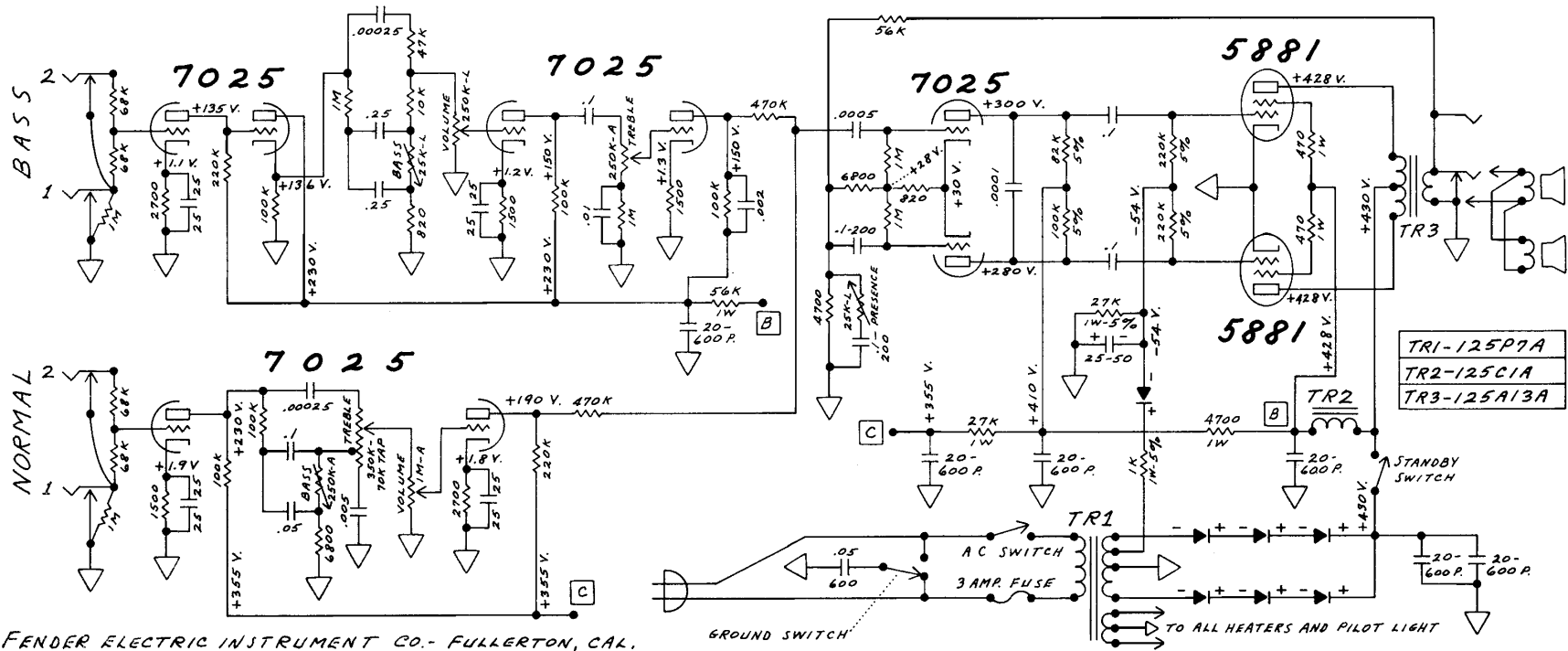
FENDER "BASSMAN" SCHEMATIC  
MODEL 6G6-B

P/B

E-FB

NOTE

- 1- VOLTAGES READ TO GROUND WITH ELECTRONIC VOLTMETER. VALUES SHOWN + OR - 20 %
- 2- ALL RESISTORS 1/2 WATT, 10% TOLERANCE IF NOT SPECIFIED.
- 3- ALL CAPACITORS AT LEAST 400 VOLT RATING IF NOT SPECIFIED.



FENDER ELECTRIC INSTRUMENT CO.- FULLERTON, CAL.

GROUND SWITCH

TR1

AC SWITCH  
3 AMP. FUSE

TR2

TR1-125P7A
TR2-125C1A
TR3-125A13A

STANDBY SWITCH

TO ALL HEATERS AND PILOT LIGHT