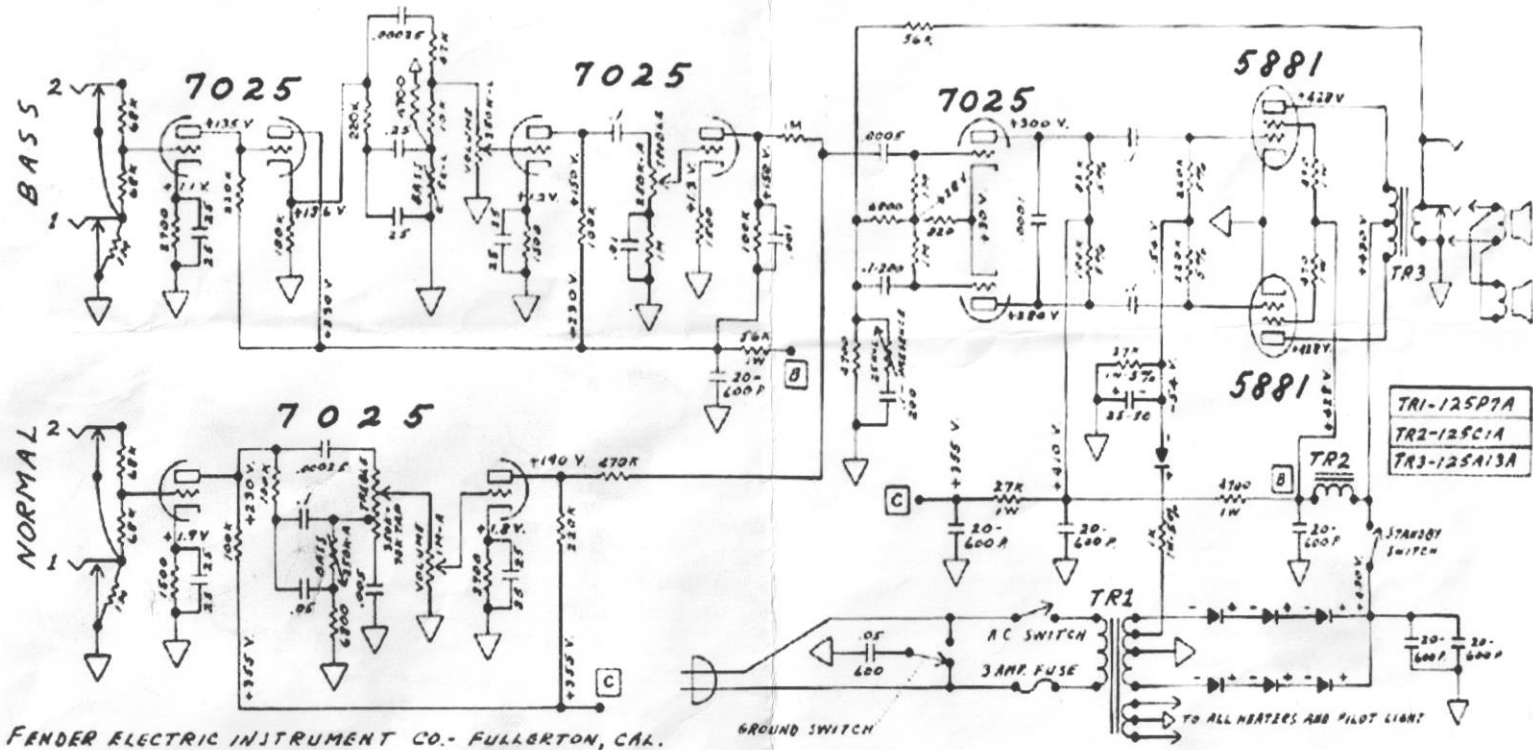


# FENDER "BASSMAN" SCHEMATIC MODEL 6G6-C

9/6  
E-78

## NOTE

- 1- VOLTAGES READ TO GROUND WITH ELECTRONIC VOLTMETER VALUES SHOWN  $\pm$  OR - 20%
- 2- ALL RESISTORS  $\frac{1}{2}$  WATT, 10% TOLERANCE IF NOT SPECIFIED
- 3- ALL CAPACITORS AT LEAST 400 VOLT RATING IF NOT SPECIFIED



FENDER ELECTRIC INSTRUMENT CO. - FULLERTON, CAL.

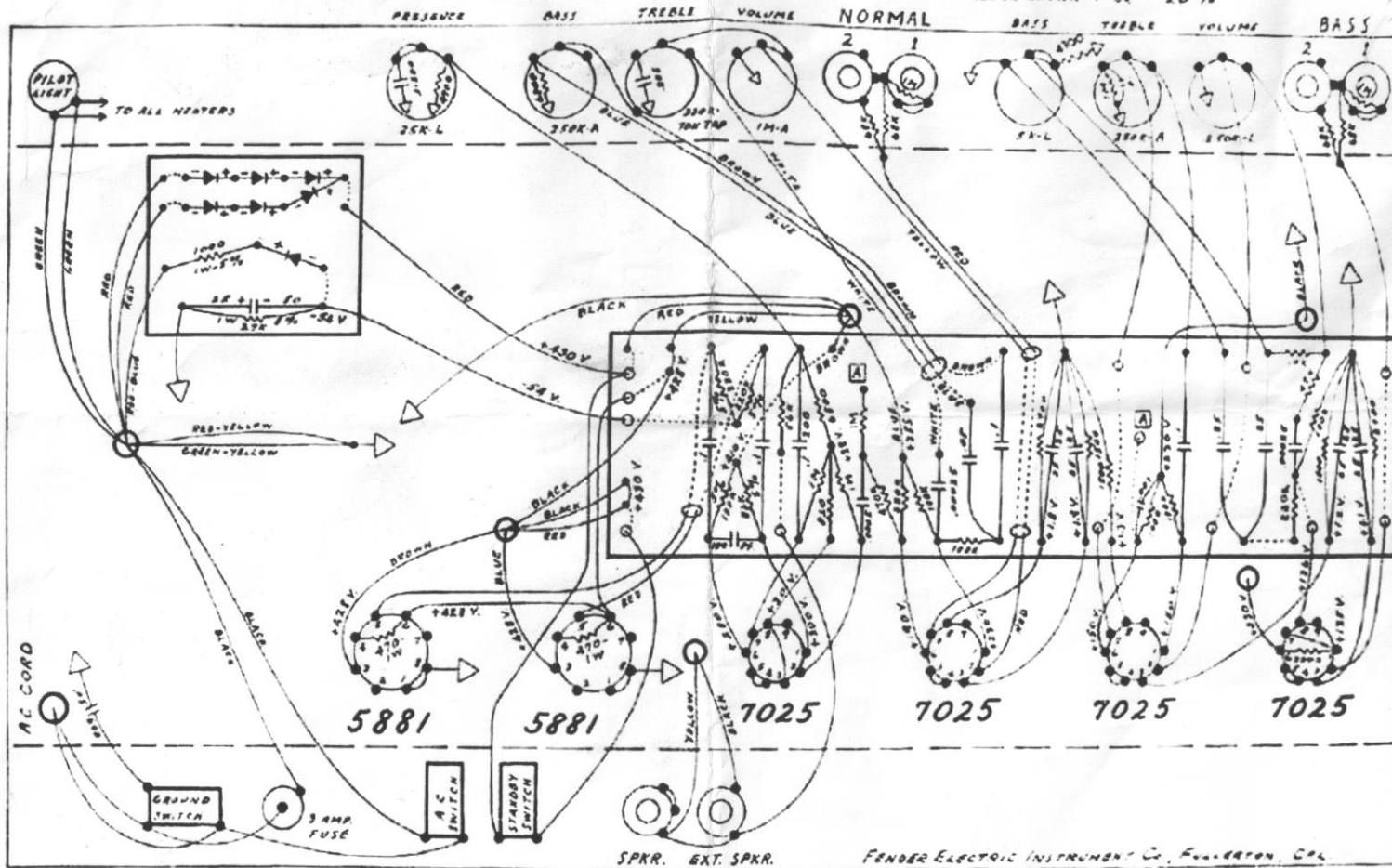
# FENDER "BASSMAN" LAYOUT

## MODEL 666-C

f/b  
E-FB

### NOTE

VOLTAGES READ TO GROUND WITH ELECTRONIC  
VOLTMETER VALUES SHOWN + OR - 20%



NOTE - ALL RESISTORS 1/2W-10% TOLERANCE IF NOT SPECIFIED.

NOTE - ALL CAPACITORS AT LEAST 400 VOLT RATING IF NOT SPECIFIED

FENDER ELECTRIC INSTRUMENT CO., FULLERTON, CAL.