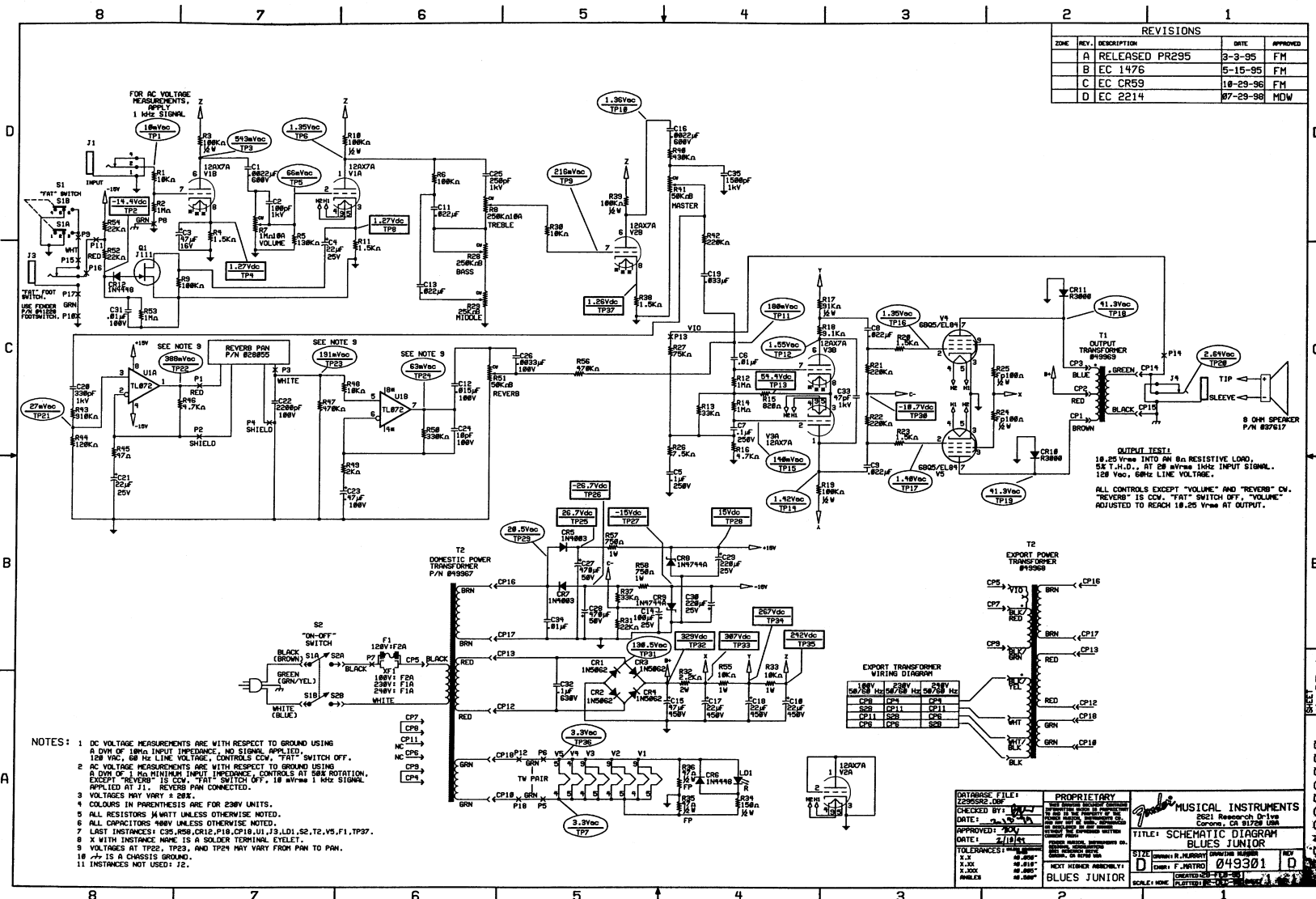


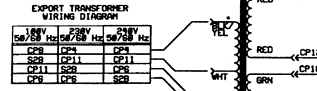
BLUES JUNIOR (REV D)

Fender



REVISIONS			
REV.	DESCRIPTION	DATE	APPROVED
A	RELEASED PR295	3-9-95	FM
B	EC 1476	5-15-95	FM
C	EC CR59	18-29-96	FM
D	EC 2214	07-29-98	MDW

- NOTES:
- DC VOLTAGE MEASUREMENTS ARE WITH RESPECT TO GROUND USING A DMM OF 10MΩ INPUT IMPEDANCE, NO SIGNAL APPLIED.
 - 120 VAC, 60 Hz LINE VOLTAGE, CONTROLS CDP, "FAT" SWITCH OFF.
 - AC VOLTAGE MEASUREMENTS ARE WITH RESPECT TO GROUND USING A DMM OF 1 MΩ INPUT IMPEDANCE, CONTROLS AT 50% ROTATION, EXCEPT REVERB IS CDP, "FAT" SWITCH OFF, 1 kHz SIGNAL APPLIED AT J1, REVERB PAN CONNECTED.
 - VOLTAGES MAY VARY ± 0.5%.
 - COLORS IN PARENTHESES ARE FOR 230V UNITS.
 - ALL RESISTORS IN MΩ UNLESS OTHERWISE NOTED.
 - ALL CAPACITORS IN μF UNLESS OTHERWISE NOTED.
 - LAST INSTANCES: C35, R59, CR12, P10, CP10, U1, J3, L01, S2, T2, V5, F1, TP37.
 - X WITH INSTANCE NAME IS A SOLDER TERMINAL EYELET.
 - VOLTAGES AT TP22, TP23, AND TP24 MAY VARY FROM PAN TO PAN.
 - 10 IS A CHASSIS GROUND.
 - INSTANCES NOT USED: J2.



DATA BASE FILE: 229595R.DWG
 CHECKED BY: [Signature]
 DATE: 11/19/98
 APPROVED: [Signature]
 DATE: 11/19/98

PROPRIETARY
 THIS DOCUMENT CONTAINS PROPRIETARY INFORMATION AND IS THE PROPERTY OF FENDER MUSIC INSTRUMENTS, INC. IT IS TO BE KEPT CONFIDENTIAL AND NOT REPRODUCED OR TRANSMITTED IN ANY FORM OR BY ANY MEANS, ELECTRONIC OR MECHANICAL, INCLUDING PHOTOCOPYING, RECORDING, OR BY ANY INFORMATION STORAGE AND RETRIEVAL SYSTEM.

MUSICAL INSTRUMENTS
 2821 Redwood Dr. Van Nuys, CA 91411
 TITLE: SCHEMATIC DIAGRAM
 BLUES JUNIOR
 SIZE: [Signature]
 DRAWN BY: R. J. [Signature]
 CHECKED BY: F. [Signature]
 NEXT NUMBER: 043301
 SCALE: 1:1

SHEET 1 OF 1
 043302000