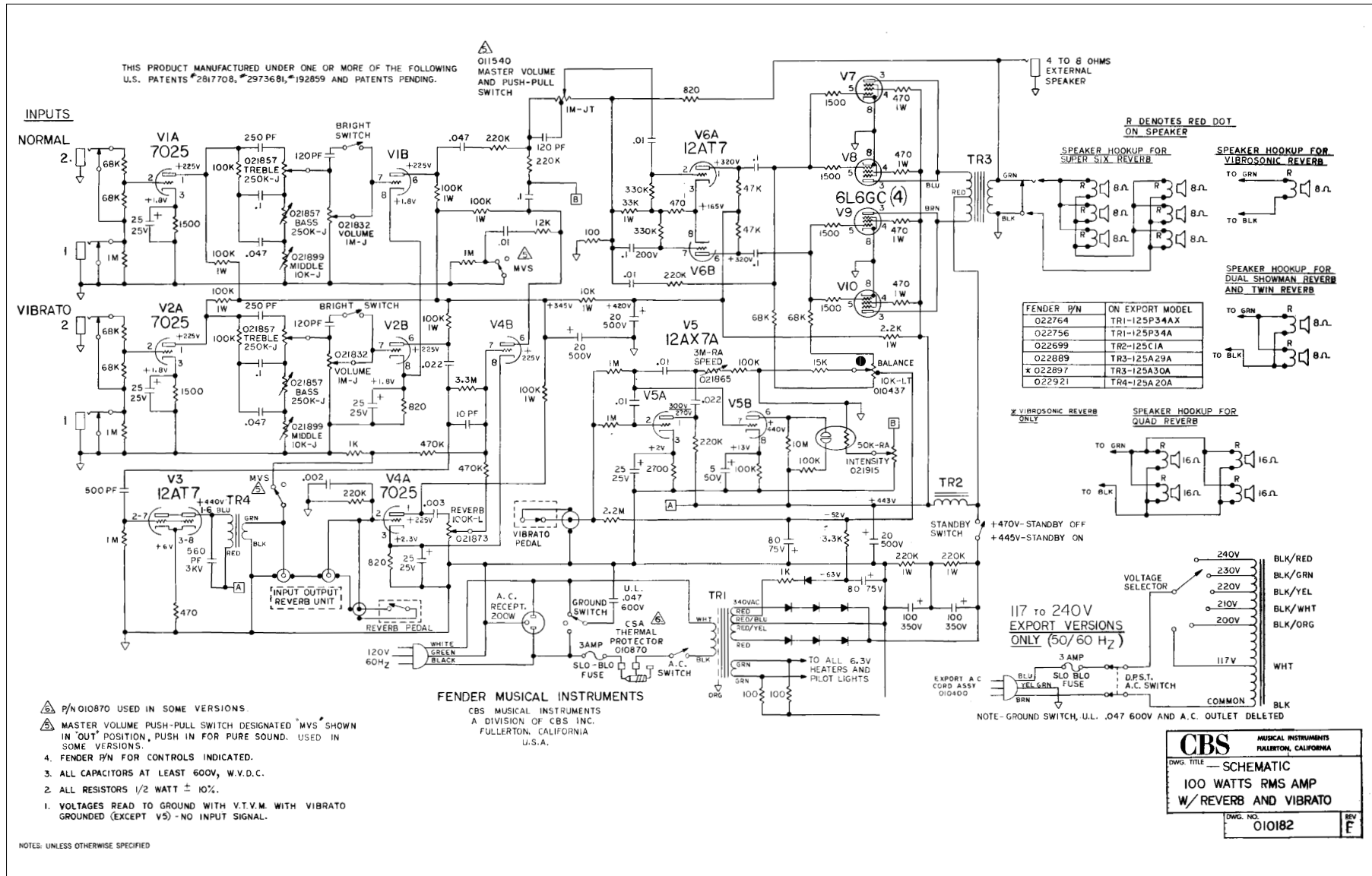


CBS 100w TWIN REV/SUPER

Fender



- 1. VOLTAGES READ TO GROUND WITH V.T.V.M. WITH VIBRATO GROUNDED (EXCEPT V5) - NO INPUT SIGNAL.
 - 2. ALL RESISTORS 1/2 WATT ± 10%.
 - 3. ALL CAPACITORS AT LEAST 600V, W.V.D.C.
 - 4. FENDER #/N FOR CONTROLS INDICATED.
- NOTES: UNLESS OTHERWISE SPECIFIED