



# CHAMP 25 SE PARTS LIST

JUNE 1992

0216600000 (120V)  
0216670000 (100V)  
0216650000 (220V/240V)

## NOTICE:

The information contained herein is CONFIDENTIAL and PROPRIETARY to Fender Musical Instruments. It is disclosed solely for use by qualified technicians for purposes of equipment maintenance and service. It is not to be disclosed to others without the express permission of Fender Musical Instruments. All specifications subject to change without notice.

A coded naming convention is used in the description of certain parts. The codes and what they mean follow:

### CAPACITOR CODES

CAP AE = Aluminum Electrolytic  
CAP CD = Ceramic Disk  
CAP MY = Mylar  
CAP PF = Polyester Film  
CAP MPF = Metalized Polyester Film  
CAP CA = Ceramic Axial

### RESISTOR CODES

RES CC = Carbon Comp  
RES CF = Carbon Film  
RES FP = Flame Proof  
RES MF = Metal Film  
RES WW = Wire Wound

### HARDWARE CODES

BLX = Black Oxide  
CR = Chrome Plated  
HWH = Hex Washer Head  
M = Machine Screw  
OHP = Oval Head Phillips  
NI = Nickel Plated  
PHP = Pan Head Phillips  
PB = Particle Board  
PHPS = Pan Head Phillips Sems  
SS = Stainless Steel  
SMA = Sheet Metal "A" point  
TF = Thread Forming  
SMB = Sheet Metal "B" point  
ZI = Zinc Plating



# CHAMP 25 SE PARTS LIST

## PRINTED CIRCUIT BOARD ASSEMBLY

QTY	PART #	DESCRIPTION	REFERENCE	DESIGNATION
1	038876	PCB ASSY "CHAMP 25SE" 100/120V		(STUFFED)
1	038877	PCB ASSY "CHAMP 25SE" 220/240V		(STUFFED)
1	038879	PCB "CHAMP 25SE"		(BLANK BOARD)
1	025722	CABLE ASSY REVERB 1100mm		
3	026517	CAP AE AXL 50V 2.2uF 20%	C8,18,38	
2	025960	CAP AE AXL 16V 22uF 20%	C9,25	
4	024819	CAP AE AXL 500V 22uF 20%	C39,40,41,42	
2	038689	CAP AE AXL 100V 47uF 20%	C14,47	
2	038873	CAP CA 100V 22pF 5%	C52,53	
2	038698	CAP CA 100V 47pF 5%	C28	
1	038699	CAP CA 100V 100pF 5%	C7	
1	038700	CAP CA 50V 390pF 5%	C4	
1	038701	CAP CA 50V 470pF 5%	C15	
1	038874	CAP CA 50V 560pF 5%	C51	
2	028458	CAP AE RDL 50V 1uF 20%	C56,58	
4	028465	CAP AE RDL 25V 22uF 20%	C48,49,60,61	
3	028471	CAP AE RDL 50V 47uF 20%	C45,46,55	
1	031040	CAP AE RDL 100V 100uF 20%	C54	
2	039362	CAP AE RDL 35V 1000uF 20%	C43,44	
2	027281	CAP MPF 63V .22uF 10%	C6,27	
2	027286	CAP MPF 63V .47uF 10%	C5,31	
4	024845	CAP MPF 400V .047uF 10%	C34,35,36,37	
3	033578	CAP PF 100V .001uF 10%	C10,50,57	
3	033580	CAP PF 100V .0022uF 10%	C1,11,22,26	
1	033586	CAP PF 100V .0068uF 10%	C21	
1	033588	CAP PF 100V .01uF 10%	C24	
1	036234	CAP PF 100V .015uF 10%	C29	
4	033590	CAP PF 100V .022uF 10%	C3,12,13,20	
2	033591	CAP PF 100V .033uF 10%	C32,33	
2	033592	CAP PF 100V .047uF 10%	C16,19	
1	033596	CAP PF 100V .068uF 10%	C23	
1	027937	CONTROL, SNAPIN 2K 15A	R12	
2	027941	CONTROL, SNAPIN 50K B	R35,53	
3	027940	CONTROL, SNAPIN 50K 15A	R10,11,37	
1	027943	CONTROL, SNAPIN 50K 30C	R19	
2	027947	CONTROL, SNAPIN 100K 30C	R24,41	
1	027949	CONTROL, SNAPIN 250K 30C	R39	
1	039053	CONTROL, SNAPIN 1M 30A	R82	



# CHAMP 25 SE PARTS LIST

## PRINTED CIRCUIT BOARD ASSEMBLY CONTINUED

QTY	PART #	DESCRIPTION	REFERENCE DESIGNATION
15	006260	DIODE, 1N4448 75PRV SIGNA	CR1-14,27
5	064089	DIODE, 1N4003 200PRV, 1AMP	CR23-26,29
4	026730	DIODE, 1N4006 800PRV, 1AMP	CR17-20
1	031635	DIODE,ZENER 1N5240B 10V .5W 5%	CR28
2	028119	DIODE,ZENER 1N5353B 16V, 5W 5%	CR21,22
24	025802	FASTON TAB, .250	CP1-34
1	022546	FUSE HOLDER,PCB MT UNIVERSAL	XF1
1	022547	FUSE CARRIER, INSERT	(AT XF1,120V ONLY)
1	021667	FUSE TD 1-1/4"X1/4" 1AMP (SLO-BLO)	F1 (120V DOMESTIC)
8	020775	FUSE CLIP,PCB MOUNT 5mm	XF2,4,5,6 (220/240V)
1	022548	FUSE CARRIER, INSERT	(AT XF1 220/240V)
2	013109	FUSE,5mm 250mA SLO-BLO	F4,5 (220/240V ONLY)
2	013111	FUSE,5mm 500mA SLO-BLO	F1,F2 (220/240V)
1	013681	FUSE,5mm 5AMP SLO-BLO	F6 (220/240V ONLY)
1	028120	IC CMOS 4053B 2 CHAN ANLG SW	U3
1	013528	IC DUAL OP-AMP 4558	U6
4	016795	IC DUAL OP-AMP JFET TLO72CP	U1,2,4,5
1	9902205550	IC TIMER 555	U7
3	037036	JACK, PHONE, MONO	J3,4,5
4	031570	JACK, PHONE, STEREO	J1,2,6,7
23	020888	JUMPER WIRE 22GA .5"X.175	W1-23
3	026043	JUMPER WIRE 18GA .8"X.175	JP2,3,4
1	028040	LED 2x2mm RED SLB-22VR3	LD1
1	028039	LED 5x5mm RED SLB-55VR3	LD2
2	025818	RES CF 1/4W 4.7Ω 5%	R105,112
1	024945	RES CF 1/4W 33Ω 5%	R85
1	024947	RES CF 1/4W 47Ω 5%	R49
2	024956	RES CF 1/4W 220Ω 5%	R114,115
1	024959	RES CF 1/4W 330Ω 5%	R69
1	024963	RES CF 1/4W 680Ω 5%	R94
3	024965	RES CF 1/4W 1K 5%	R20,33,56
4	024969	RES CF 1/4W 1.5K 5%	R7,74,75,80
1	024971	RES CF 1/4W 2.2K 5%	R18
5	024973	RES CF 1/4W 3.3K 5%	R6,31,51,84,86
6	024977	RES CF 1/4W 4.7K 5%	R32,48,95,96,97,98
2	025942	RES CF 1/4W 7.5K 5%	R17,23
1	024980	RES CF 1/4W 8.2K 5%	R22
9	024981	RES CF 1/4W 10K 5%	R5,27,50,60,62,65,67,70,71
1	024986	RES CF 1/4W 18K 5%	R30
2	024987	RES CF 1/4W 22K 5%	R9,13
6	024989	RES CF 1/4W 33K 5%	R1,2,21,26,87,103
4	024993	RES CF 1/4W 47K 5%	R34,36,40,44
1	024994	RES CF 1/4W 56K 5%	R42



# CHAMP 25 SE PARTS LIST

## PRINTED CIRCUIT BOARD ASSEMBLY CONTINUED

QTY	PART #	DESCRIPTION	REFERENCE DESIGNATION
2	028153	RES CF 1/4W 75K 5%	R29,104
5	024997	RES CF 1/4W 100K 5%	R38,59,64,88,101
1	025058	RES CF 1/4W 180K 5%	R14
2	025059	RES CF 1/4W 220K 5%	R16,46
1	025060	RES CF 1/4W 270K 5%	R43
2	025061	RES CF 1/4W 330K 5%	R76,77
1	028844	RES CF 1/4W 360K 5%	R47
3	025065	RES CF 1/4W 470K 5%	R25,45,52
1	029618	RES CF 1/4W 910K 5%	R93
6	025069	RES CF 1/4W 1M 5%	R4,61,63,66,68,81
1	025071	RES CF 1/4W 1.2M 5%	R28
1	025074	RES CF 1/4W 1.8M 5%	R54
2	025084	RES CF 1/4W 10M 5%	R8,15
2	031767	RES CF 1/2W 15Ω 5%	R100,106
1	028861	RES CF 1/2W 3.3K 5%	R58
2	036956	RES CF 1/2W 33K 5%	R78,79
1	039186	RES CF 1/2W 330K 5%	R83
1	036957	RES CF 1/2W 470K 5%	R90
1	039128	RES CF 1W 120Ω 5%	R110
1	028045	RES CF 1W 220Ω 5%	R99
2	028740	RES CF 1W 470Ω 5%	R108,109
1	028021	RES CF 2W 470Ω 5%	R57
1	027356	RES CF 2W 1.8K 5%	R111
1	027749	RES MF FUSED 1/4W 22Ω 5%	R102 (FUSE TYPE)
2	036468	RES FP MOX 1W 470Ω 5%	R72,73
1	037664	RES FP MOX 1W 1K 5%	R113
1	036470	RES FP MOX 1W 10K 5%	R89
2	039212	RES FP MOX 2W 100Ω 5%	R91,92
1	025944	RES WW BT 10W 15Ω 10%	R107 (FOOTED RESISTOR)
7	031172	SCREW #6-32X3/8" PHP SS	(STANDOFF MOUNT)
4	017433	SCREW #6-32X3/8" PHP BLX	(TUBE SOCKET MOUNT)
1	029167	SOCKET TUBE 9PIN PCB MOUNT	XV3
2	029343	SOCKET TUBE 8PIN PCB MOUNT	XV1,2
2	9904701440	SPACER LED .7x.125 BLUE	(AT LD1, LD2)
8	025936	STANDOFF NYLON PCB PUSH ON	(PCB/CHASSIS MOUNT)
7	016440	STANDOFF RND AL #6-32X1-1/4"	(TUBE SKT/PCB MNT)
2	028091	SWITCH PUSH 2P2T SLFLK	S1,2
2	028101	SWITCH-BUTTON PUSH RED	(AT S1, S2)
1	026446	SWITCH 2P2T SLIDE "220/240"	S5 (EXPORT UNIT ONLY)



# CHAMP 25 SE PARTS LIST

## CHASSIS ASSEMBLY

QTY	PART #	DESCRIPTION	REFERENCE DESIGNATION
1	038887	CHASSIS ASSY CH25SE 120V	
1	026038	BUSHING SR .625x.062x37/64 BLK	(POWER CABLE 120V)
1	010401	BUSHING SR .625x.125x37/64 WHT	(POWER CABLE 220/240V)
1	021709	BUSHING SR .437x.062x13/32 BLK	(SPEAKER CABLE)
1	026116	BUSHING SR .500x.063x7/16 BLK	(REVERB CABLE)
1	026527	CABLE ASSY POWER W/.187 TABS	(POWER CABLE 100/120V)
1	026528	CABLE ASSY POWER W/.187 TABS	(POWER CABLE 220/240V)
1	038886	CHASSIS "CHAMP 25SE"	(BLANK CHASSIS)
1	028560	ENDBELL XFMR 85W	(AT POWER XFORMER)
12	026403	KNOB POINTER BLACK 180 DEG	
4	028591	NUT ACORN #8-32	(POWER XFMR MOUNT)
2	022004	NUT KEPS #8-32 ZINC	(OUTPUT XFMR MOUNT)
1	038890	PANEL,FRONT LEXAN "CHAMP 25SE"	(ALL VOLTAGES)
1	038891	PANEL,REAR LEXAN "CHAMP 25SE"	(100/120V ONLY)
1	039211	PANEL,REAR LEXAN "CHAMP 25SE"	(220/240V ONLY)
2	026553	SCREW M 8-32X3/8" PHP BLX	(OUTPUT XFMR MOUNT)
8	028937	SCREW TF 6-32X5/8" PHP ZI ROLOK	(POWER SUPPLY MOUNT)
3	032806	SCREW M TF 6-32X1/4" PHP BLX	(GND LUG MOUNT)
3	017433	SCREW M 6-32X3/8" PHP BLX	(PCB TO CHASSIS MOUNT)
2	025935	SWITCH,POWER DPST	(POWER/STANDBY)
2	039215	TUBE RETAINER, SPRING	(AT V1,V2)
2	039214	TUBE,5881/6L6WGC SOVTEC	V1,2
1	013341	TUBE 12AX7A	V3
4	030007	WSHR LCK INTL 8X.330X.02 ZI	(POWER XFMR MOUNT)
2	039064	WSHR EPDM TUBE CLAMP DAMPNER	(AT V1,V2 TUBECLAMP)
1	039043	XFMR POWER "CHAMP 25SE"	T2 (DOMESTIC 120V)
1	039044	XFMR POWER "CHAMP 25SE"	T2 (EXPORT.100/220/240V)
1	039054	XFMR OUTPUT "CHAMP 25SE"	T1

## CABINET ASSEMBLY

QTY	PART #	DESCRIPTION	REFERENCE DESIGNATION
1	038885	BACK ASSY UPPER "CHAMP 25SE"	
1	038883	CABINET ASSY "CHAMP 25SE"	(COMPLETE CABINET)
1	022491	CLAMP CABLE NYL SCRW MNT 5/16	(REVERB CABLE MT)
2	031838	CORNER 2 HOLE W/TAB BLK PWR	(REAR TOP)
4	031867	CORNER 2 HOLE W/NTCH BLK PWR	(FRONT, TOP/BOTTOM)
2	031840	CORNER 3 HOLE BLK PWR	(REAR BOTTOM)
4	029821	EYELET RFLNGD .215ODX.315L	(REVERB PAN MOUNT)



# CHAMP 25 SE PARTS LIST

## CABINET ASSEMBLY CONTINUED

QTY	PART #	DESCRIPTION	REFERENCE DESIGNATION
4	027849	FLOOR GLIDE BLK	(METAL)
4	019275	FLOOR GLIDE CUSHION INSERT	(RUBBER)
1	038884	GRILLE ASSY.CHAMP 25SE	(COMPLETE GRILLE)
1	027846	HANDLE	(RUBBER)
2	031845	HANDLE CAP BLK PWD CT	
1	032524	HANDLE INSERT	(SPRING STEEL)
1	011298	NAMEPLATE FENDER USA SMALL	(LOGO)
1	028055	REVERB UNIT 800 ohm 8EB2C1B	(PAN/TANK)
4	026577	SCREW M 10-32X1 PHP BLX	(SPEAKER MOUNT)
6	9904101550	SCREW M 8-32X1-1/4 OHPS BLX WX	(CHASSIS MOUNT)
4	017393	SCREW M 10-32X1-1/8 OHP BLK	(HANDLE MOUNT)
5	029828	SCREW PB 8X3/4 PHP ZI	(REVERB PAN/CLAMP MNT)
2	018113	SCREW SMA 4X1/2 OHP BLX	(LOGO MOUNT)
4	036112	SCREW SMAB 6X1-1/4 OHP BLX W/W/S	(BACK BOARD MOUNT)
2	011678	SCREW SMA 8X1-1/2 OHP BLX	(GRILLE MOUNT)
14	026576	SCREW SMA 8X5/8 TH BLK	(CORNER MOUNT)
4	026625	SCREW WOOD 8X1 FH	(GLIDE MOUNT)
1	025923	SPEAKER 12"	
8	021972	TEE NUT 10-32 BLK	(HANDLE/SPEAKER MT)
1.012	026570	VINYL BLACK	
8	029527	WSHR FINISH 8-5/8 FLNGD BLX WX	(CHASSIS/GRILLE MT)

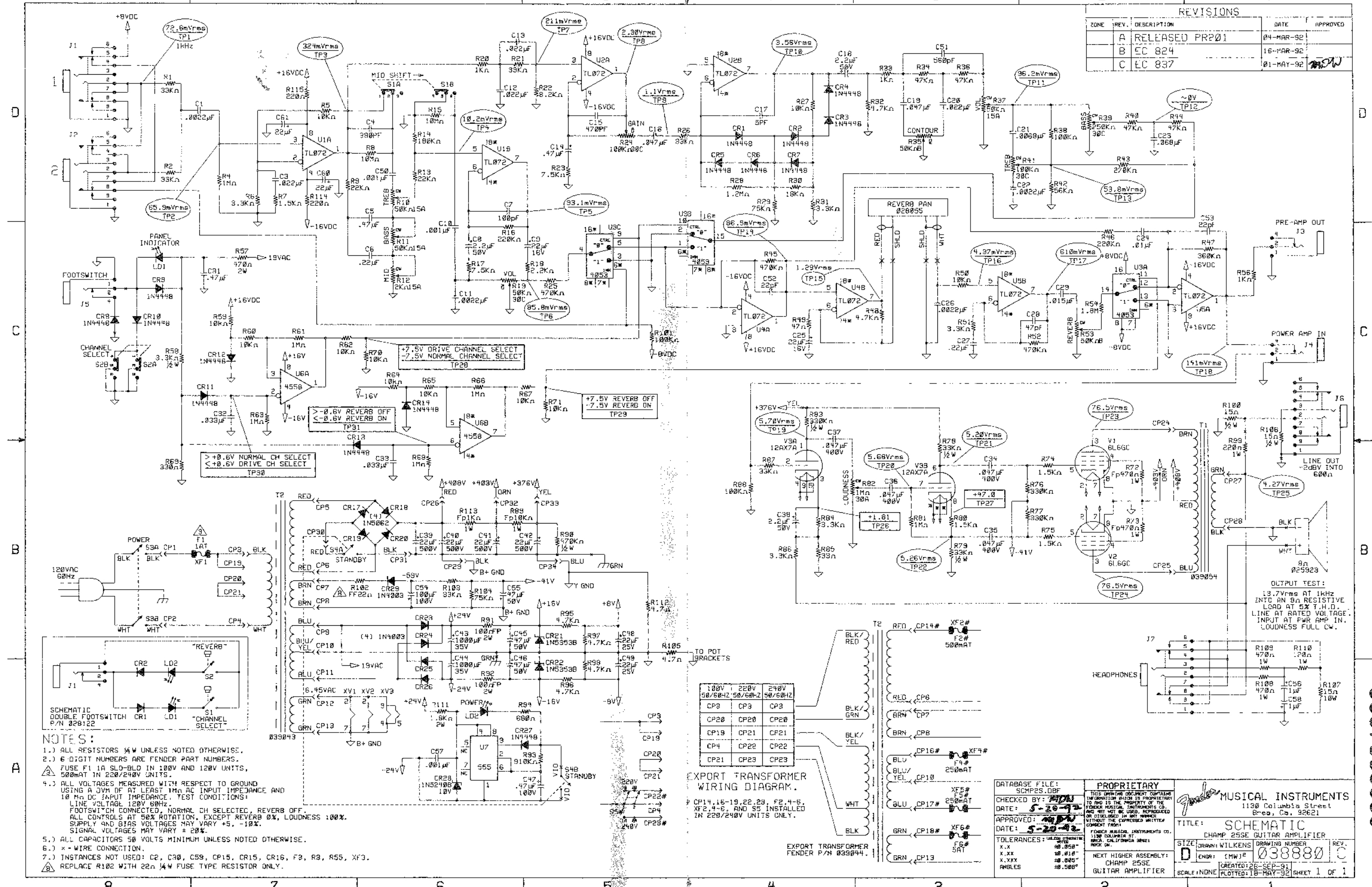
## FOOTSWITCH ASSEMBLY

QTY	PART #	DESCRIPTION	REFERENCE DESIGNATION
1	028122	FOOTSWITCH ASSY 2 BUTTON	(COMPLETE FOOTSWITCH)
1	028895	CABLE ASSY FTSW RT ANG 12'	(FOOTSWITCH CABLE)
2	006260	DIODE 1N4448 SIGNAL	CR1,2
2	028039	LED 5x5mm RED SLB-55VR3	LD1,2
2	028714	SWITCH PUSH SPDT	S1,2
1	037036	JACK PHONE PCB MONO PREMIUM	J1
2	031899	WASHER NYL .485x.775x.150 TK	(SPACER ON SWITCH)

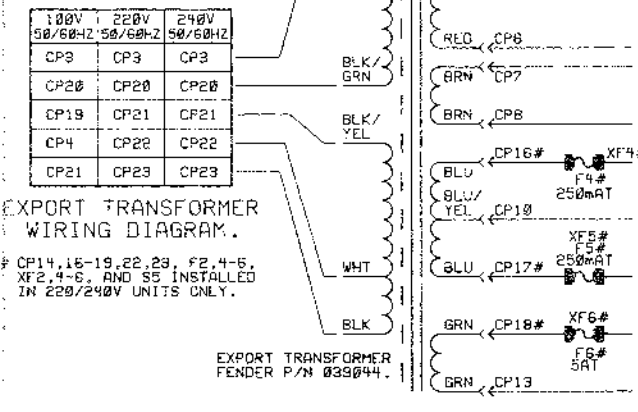
## MISCELLANEOUS

QTY	PART #	DESCRIPTION	REFERENCE DESIGNATION
1	039204	OWNERS MANUAL "CHAMP 25SE"	
1	038881	SCHEMATIC/SERVICE DIAGRAM "CHAMP 25SE"	(REDUCED)

REVISIONS				
ZONE	REV.	DESCRIPTION	DATE	APPROVED
A	1	RELEASED PR201	04-MAR-92	
B	1	EC 824	16-MAR-92	
C	1	EC 837	01-MAY-92	



- NOTES:**
- ALL RESISTORS 1/4W UNLESS NOTED OTHERWISE.
  - 6-DIGIT NUMBERS ARE FENDER PART NUMBERS.
  - FUSE F1 1A SLO-BLD IN 100V AND 120V UNITS, 500MAT IN 220/240V UNITS.
  - ALL VOLTAGES MEASURED WITH RESPECT TO GROUND USING A 0.1MΩ AT LEAST 1MΩ AC INPUT IMPEDANCE AND 10 MΩ DC INPUT IMPEDANCE. TEST CONDITIONS: LINE VOLTAGE 120V 60Hz, FOOTSWITCH CONNECTED, NORMAL CH SELECTED, REVERB OFF, ALL CONTROLS AT 50% ROTATION, EXCEPT REVERB 0%, LOUDNESS 100%. SUPPLY AND BIAS VOLTAGES MAY VARY +5, -10%. SIGNAL VOLTAGES MAY VARY ± 20%.
  - ALL CAPACITORS 50 VOLTS MINIMUM UNLESS NOTED OTHERWISE.
  - X - WIRE CONNECTION.
  - INSTANCES NOT USED: CP2, CP3, CP5, CP15, CP16, F3, R3, R55, XF3.
  - REPLACE R102 WITH 22Ω 1/4W FUSE TYPE RESISTOR ONLY.



DATABASE FILE: SCMP25.DBF CHECKED BY: DATE: APPROVED: DATE: TOLERANCES: UNLESS OTHERWISE NOTED .X.X .050" .X.XX .010" .X.XXX .005" ANGLES .5000"	<b>PROPRIETARY</b> THIS DRAWING DOCUMENT CONTAINS INFORMATION WHICH IS PROPRIETARY TO FENDER AND IS THE PROPERTY OF FENDER MUSICAL INSTRUMENTS CO. AND MAY NOT BE USED, REPRODUCED OR DISCLOSED IN ANY MANNER WITHOUT THE EXPRESSED WRITTEN CONSENT FROM FENDER MUSICAL INSTRUMENTS CO. FENDER MUSICAL INSTRUMENTS CO. 1130 COLUMBIA STREET BREA, CA 92621 TITLE: SCHEMATIC CHAMP 25SE GUITAR AMPLIFIER DRAWING NUMBER: 038880 SCALE: NONE PLOTTED: 18-MAY-92 SHEET 1 OF 1
--	--

0038881000

