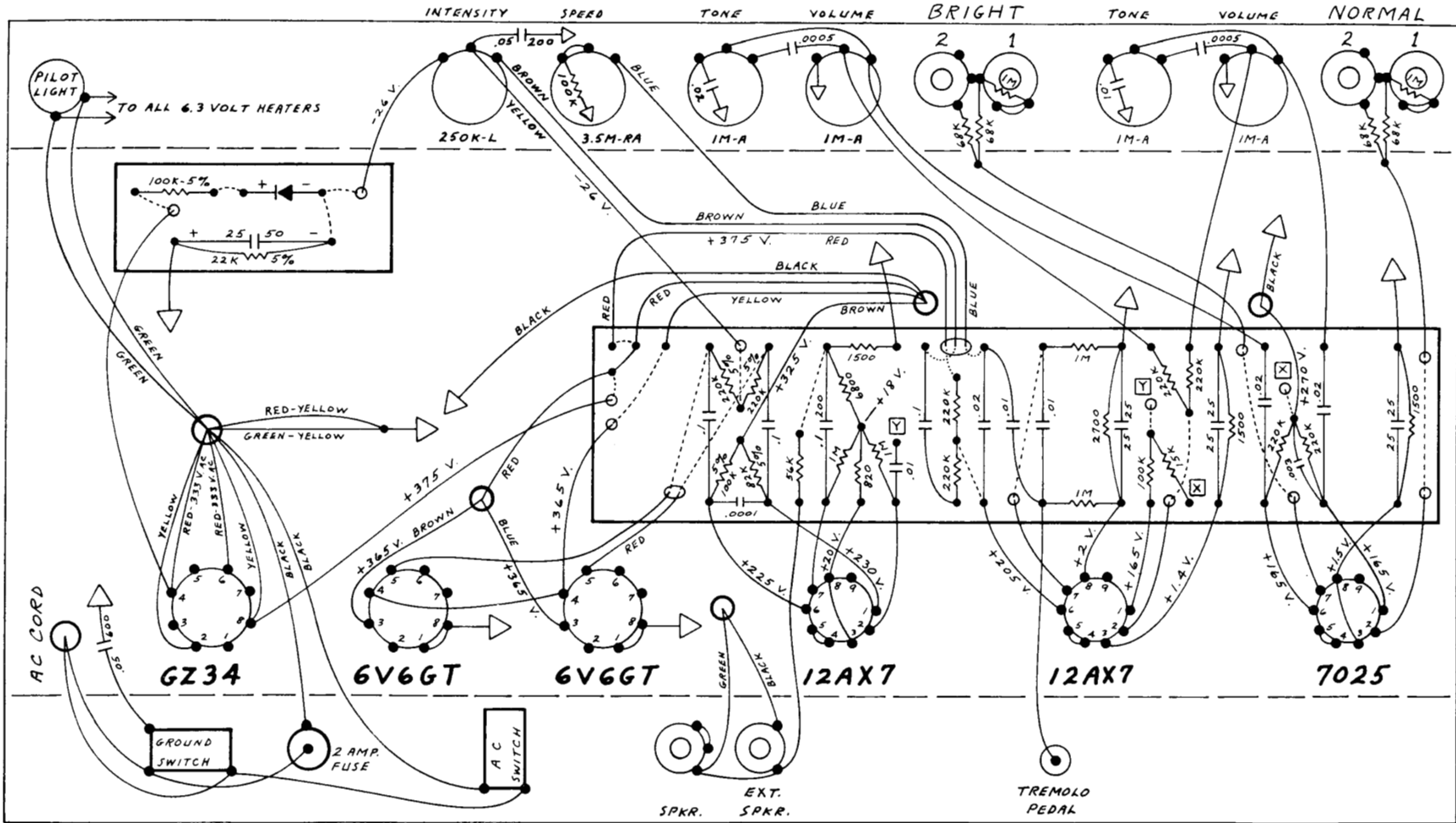


# FENDER "DELUXE" LAYOUT MODEL 6G3

I-FA

## NOTICE

VOLTAGES READ TO GROUND WITH ELECTRONIC  
VOLTMETER. VALUES SHOWN + OR - 20%



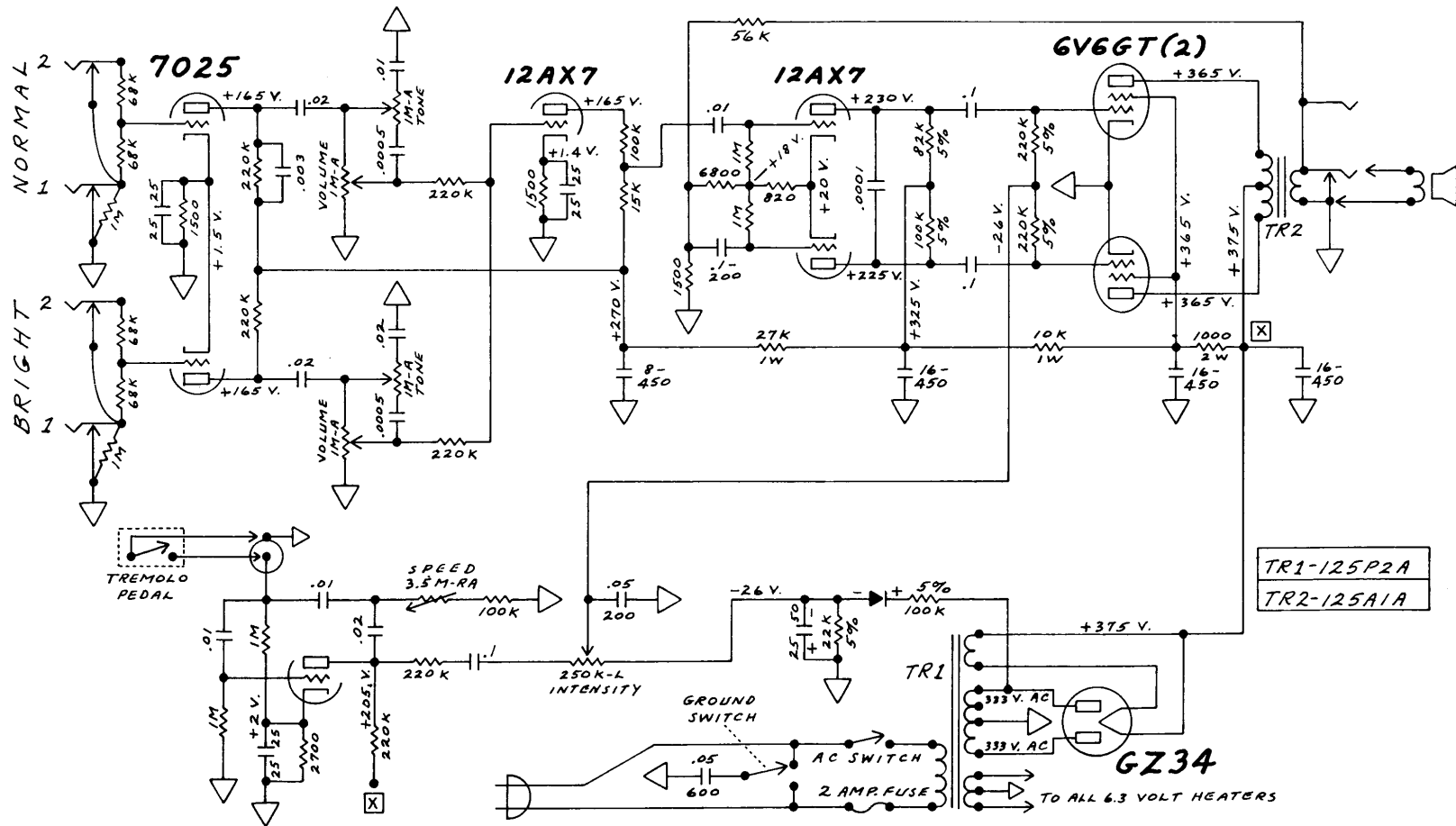
NOTE - ALL RESISTORS 1/2 WATT, 10% TOLERANCE IF NOT SPECIFIED. NOTE - ALL CAPACITORS AT LEAST 400 RATING IF NOT SPECIFIED.

FENDER DELUXE "SCHEMATIC  
MODEL 6G3

I-FA

NOTICE

- 1- VOLTAGES READ TO GROUND WITH ELECTRONIC VOLTMETER. VALUES SHOWN + OR - 20%
- 2- ALL RESISTORS 1/2 WATT, 10% TOLERANCE, IF NOT SPECIFIED
- 3- ALL CAPACITORS AT LEAST 400 VOLT RATING, IF NOT SPECIFIED



TR1-125P2A  
TR2-125A1A

GZ34