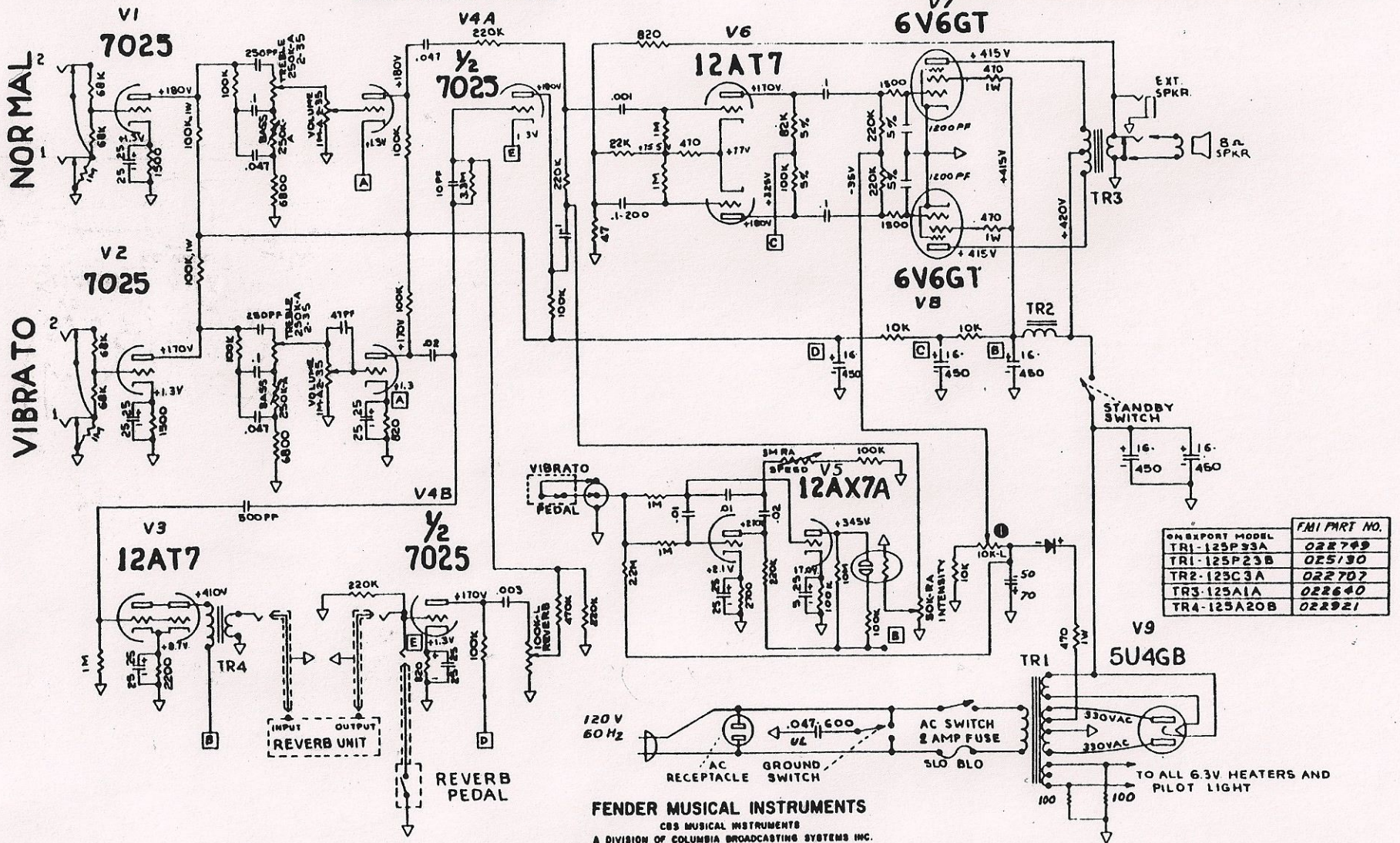


FENDER "DELUXE REVERB-AMP AB868" SCHEMATIC NOTICE

THIS PRODUCT MANUFACTURED UNDER ONE OR MORE OF THE FOLLOWING U.S. PATENTS:
 CIRCUIT PATENT # 2817708, # 2973681
 DESIGN PATENT # 192859

- 1 - VOLTAGES READ TO GROUND WITH ELECTRONIC VOLTMETER VALUES SHOWN + OR - 20%.
- 2 - ALL RESISTORS 1/2 WATT 10% TOLERANCE IF NOT SPECIFIED.
- 3 - ALL CAPACITORS AT LEAST 400 VOLT RATING IF NOT SPECIFIED.



ON EXPORT MODEL	F.M.I. PART NO.
TRI-125P33A	022799
TRI-125P23B	025130
TR2-123C3A	022707
TR3-125A1A	022640
TR4-125A20B	022921

FENDER MUSICAL INSTRUMENTS
 CBS MUSICAL INSTRUMENTS
 A DIVISION OF COLUMBIA BROADCASTING SYSTEMS INC.
 FULLERTON CALIFORNIA
 U.S.A.

DWN	R Rivera	DATE	5-24-60	MUSICAL INSTRUMENTS SANTA ANA, CALIFORNIA					
CHK.		CHK.							
APPD.		CHK.							
APPD.		CHK.							
DWG. TITLE SCHEMATIC & WIRING DIAGRAM DELUXE REV-AMP AB868									
APPROVAL-		REL. NO.	520	SIZE	D	DWG. NO.	045450	REV.	
APPROVAL-		SCALE	NONE	MODEL	DELUXE REV AMP	TUBE TYPE		SHEET	1 OF 0