

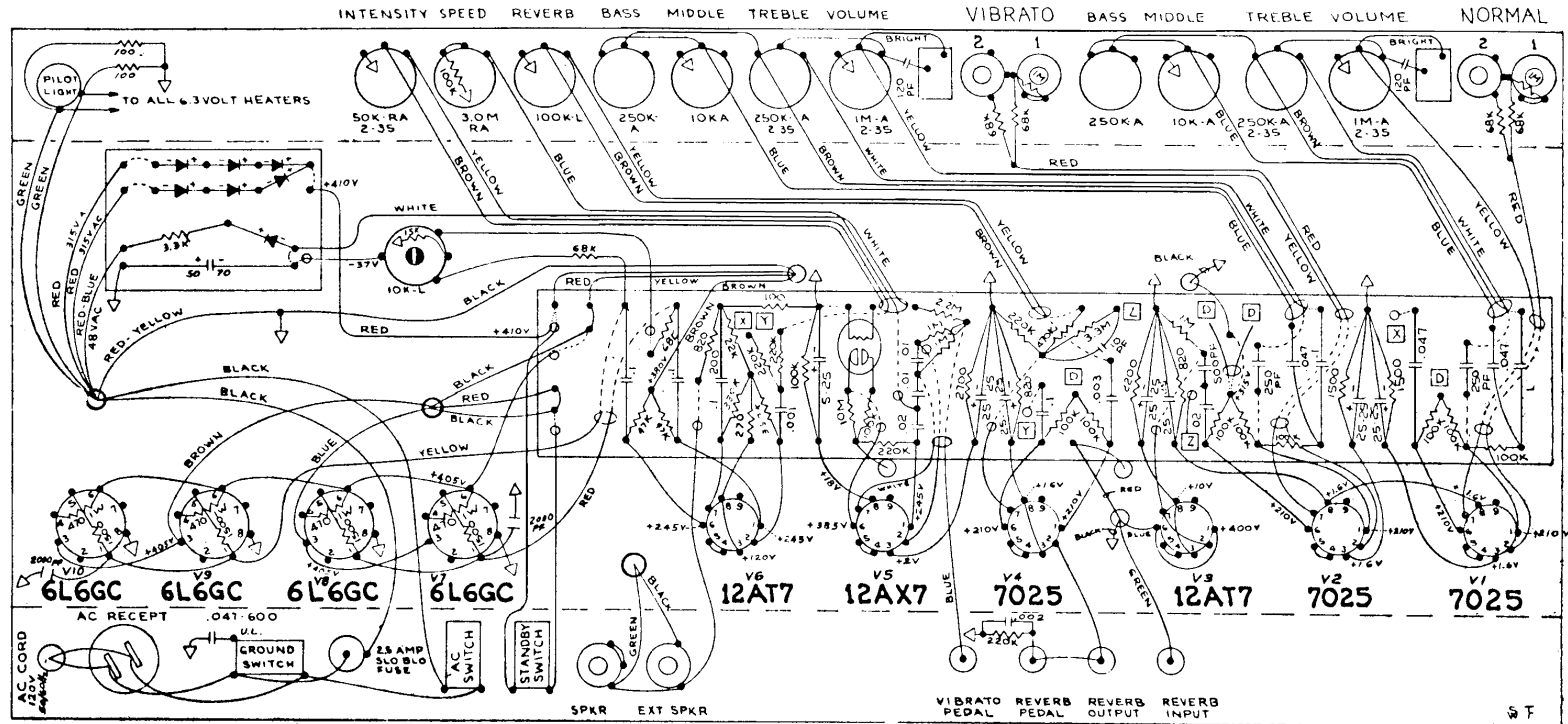
# DUAL SHOWMAN REVERB AA769

# Fender

FENDER  
MODEL

"DUAL SHOWMAN REVERB-AMP AA769" LAYOUT  
TFL5000D

NOTICE  
VOLTAGES READ TO GROUND WITH V.T.V.M.



NOTE: ALL RESISTORS 1/2 WATT 10% TOLERANCE, IF NOT SPECIFIED

NOTE: ALL CAPACITORS AT LEAST 400 VOLT RATING IF NOT SPECIFIED

FENDER MUSICAL INSTRUMENTS  
CBS MUSICAL INSTRUMENTS  
A DIVISION OF COLUMBIA BROADCASTING SYSTEMS INC.  
FULLERTON, CALIFORNIA  
U.S.A.

DWN	F.T.	DATE	Fender		MUSICAL INSTRUMENTS SANTA ANA, CALIFORNIA
CHK		DATE	DWG. TITLE		
APPD		DATE	SCHEMATIC & WIRING		
APPD		DATE	DIAGRAM-DUAL SHOWMAN-		
APPD		DATE	REVERB TUBE TYPE		
			TFL5000D		
APPROVAL-	REL. NO.	SIZE	DWG. NO.		REV.
		D	108712		B
APPROVAL-		SCALE	MODEL		
		AMP	DUAL SHOW REV		
			TUBE TYPE		
		SHEET 2 OF 2			

B	INCORPORATED ECO 1687	10-10-69	
A	INCORPORATED ECO #1327	10-10-68	Rev. M.

AMPLIFIER-TT

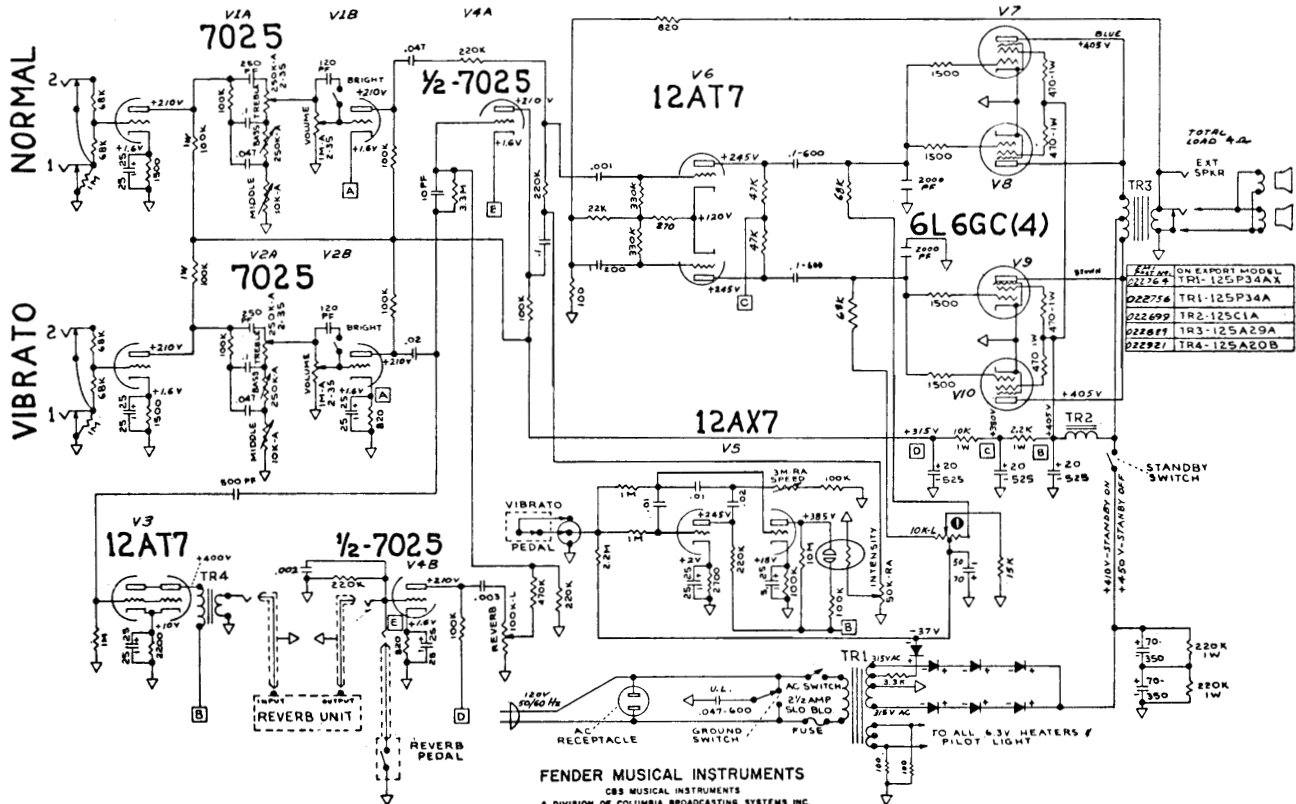
# DUAL SHOWMAN REVERB AA769

# Fender

## FENDER MODEL "DUAL SHOWMAN REVERB-AMP AA769" SCHEMATIC NOTICE TFL5000

THIS PRODUCT MANUFACTURED UNDER ONE OR MORE OF THE FOLLOWING U.S. PATENTS - #2817708, #2973681, 1928557 PATENTS PENDING

- 1 - VOLTAGES READ TO GROUND WITH V.T.V.M.
- 2 - ALL RESISTORS 1/2 WATT, 10% TOLERANCE IF NOT SPECIFIED
- 3 - ALL CAPACITORS AT LEAST 400 VOLT RATING IF NOT SPECIFIED
- 4 - VOLTAGES MEASURED WITH VIBRATO PEDAL GROUNDING TO CHASSIS.



TOTAL 1000 VA  
EXT 5PR

22276	TR1-125P34A
22275	TR1-125P34A
22269	TR2-125C1A
22289	TR3-125A29A
22291	TR4-125A20B

FENDER MUSICAL INSTRUMENTS  
CBS MUSICAL INSTRUMENTS  
A DIVISION OF COLUMBIA BROADCASTING SYSTEMS INC.  
FULLERTON, CALIFORNIA  
U.S.A.

OWN	F.T.	DATE	Fender MUSICAL INSTRUMENTS SANTA ANA, CALIFORNIA	
CHE			DWG TITLE SCHEMATIC & WIRING	
APPD			DIAGRAM - DUAL SHOWMAN-	
APPD			REVERB TUBE TYPE	
APPD			TFL5000	
APPROVAL			REL NO	SIZE
			D	DWG. NO.
				108712
				REV.
				B

8/10/67 INCORPORATED ECO #1687 10/10/67 10/10/67  
A INCORPORATED ECO #327 10/10/67 10/10/67

SCALE 100% DUAL SHOW REVERB TUBE TYPE SHEET 1 OF 2