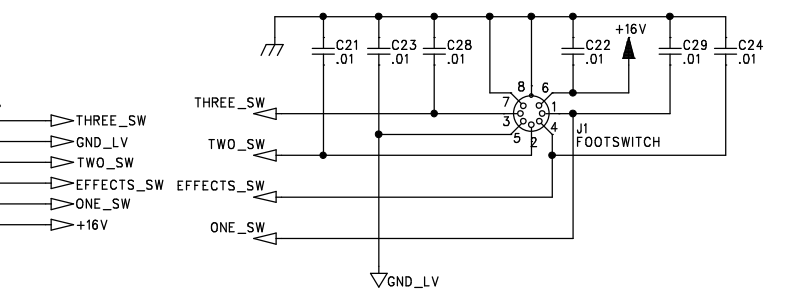
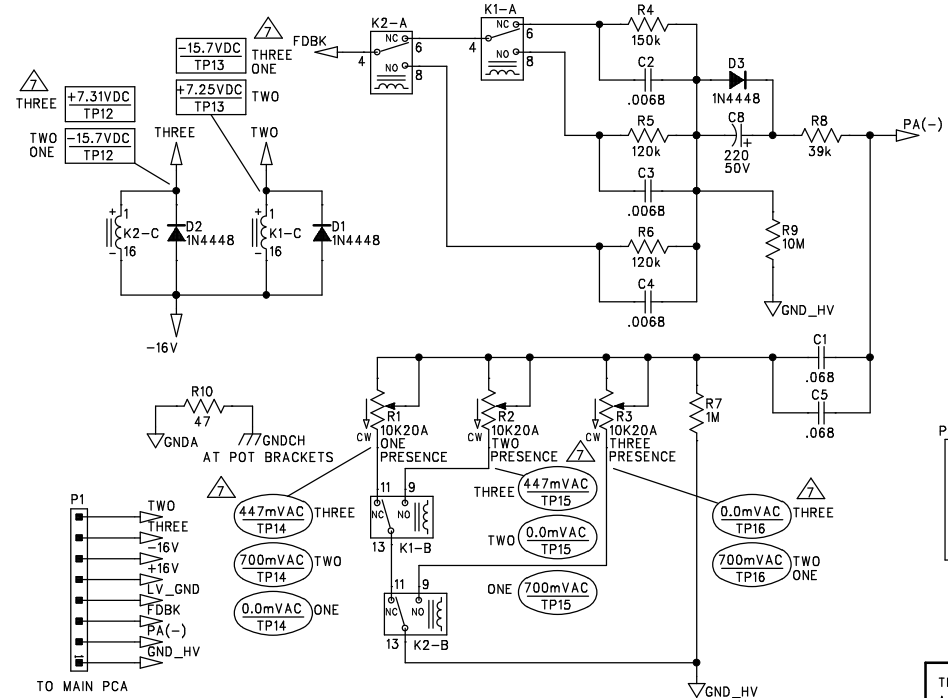
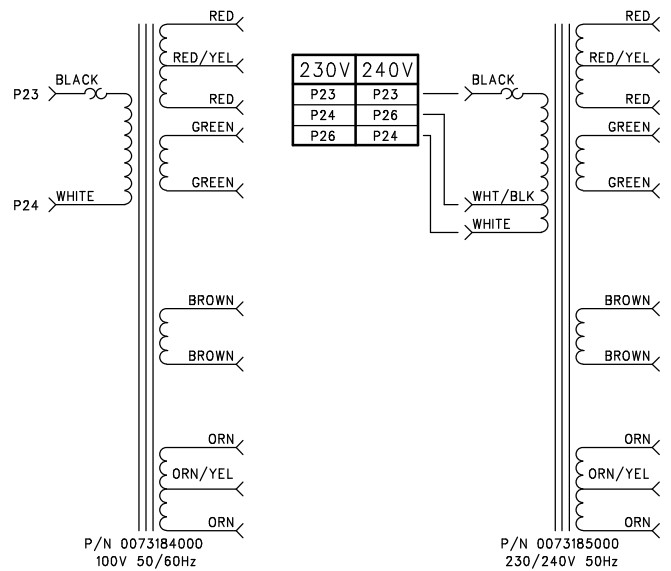
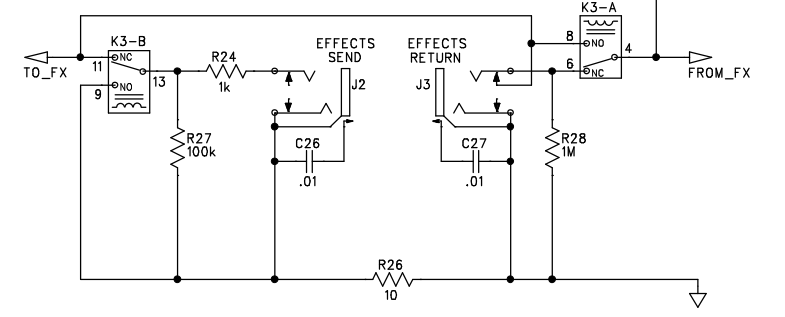
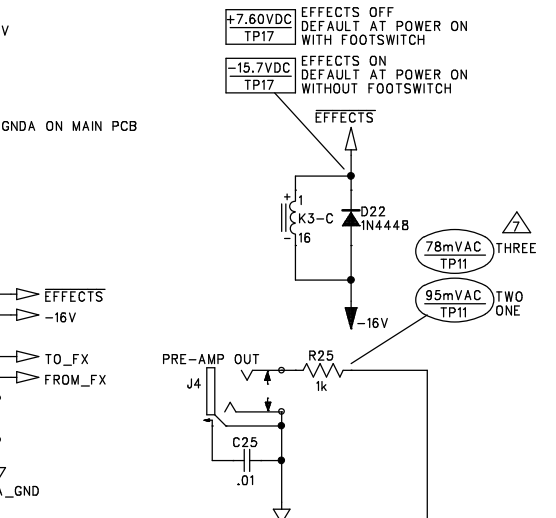
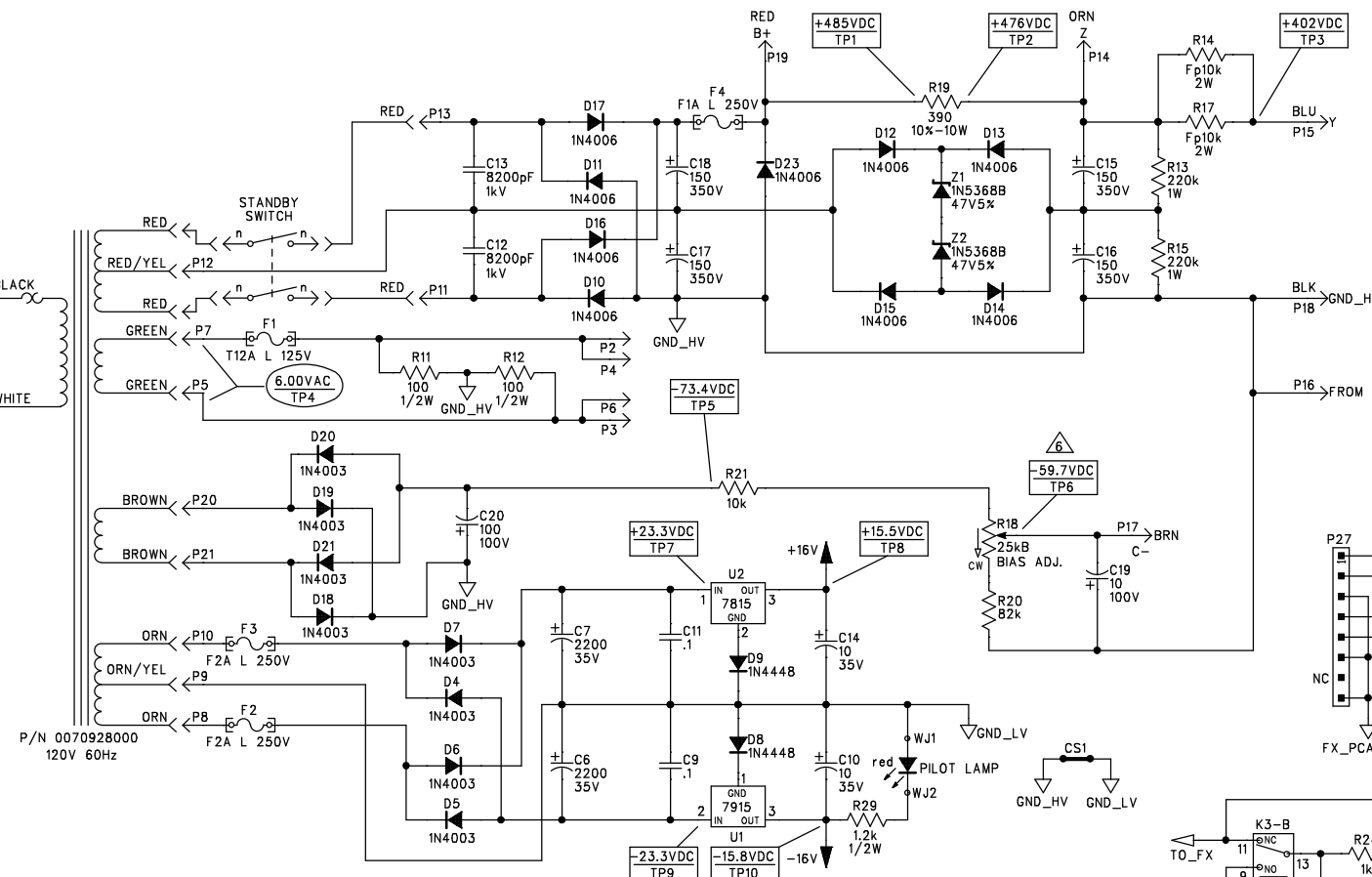
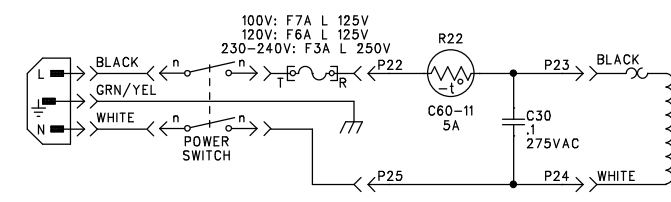


REVISIONS			
REV.	DESCRIPTION	DATE	APPROVED
A	PR684	18-AUG-06	MCU
B	EC 3708	20-DEC-06	MCU



- 9. INSTANCES NOT USED: R23
- 8. LAST INSTANCES: C29 D23 F4 J4 K3 P29 R29 TP17 U2 W2 WJ2 Z2
- SEE SCHEMATIC 0070922000 SHEET 1 NOTE 7 FOR TESTING CONDITIONS. NOTE THE DIFFERENT INPUT SIGNAL VOLTAGES AND FREQUENCIES USED FOR TESTING EACH CHANNEL.
- SEE SCHEMATIC 0070922000 SHEET 1 NOTE 6 FOR BIASING INSTRUCTIONS. VOLTAGE SHOWN AT TP6 IS FOR REFERENCE ONLY AND WILL VARY FROM UNIT TO UNIT.
- THIS SCHEMATIC IS FOR PCB FABRICATION P/N 0070919000 AND PCB ASSEMBLY P/N 0070921000.
- ALL DIODES ARE 1N4448.
- ALL POLARIZED CAPACITORS IN uF, 20%, 50V MINIMUM.
- ALL UNPOLARIZED CAPACITORS IN uF, 10% OR BETTER; 50V MINIMUM. (POWER SUPPLY BYPASS CAPACITORS ARE 20%).
- ALL RESISTORS IN OHMS, 5%, 1/4W.

NOTES: (UNLESS OTHERWISE NOTED)

THIS DOCUMENT CONTAINS INFORMATION OF A PROPRIETARY NATURE TO FENDER MUSICAL INSTRUMENTS AND IS SUBMITTED TO YOU IN CONFIDENCE AND SHALL NOT BE DISCLOSED OR TRANSMITTED TO OTHERS WITHOUT AUTHORIZATION FROM FENDER MUSICAL INSTRUMENTS.

CHECKED BY: _____
DATE: _____

APPROVED BY: _____
DATE: _____

DRAWN: M.ULRICH ENGR: MULRICH
DATABASE FILE: Z684S2.SCH

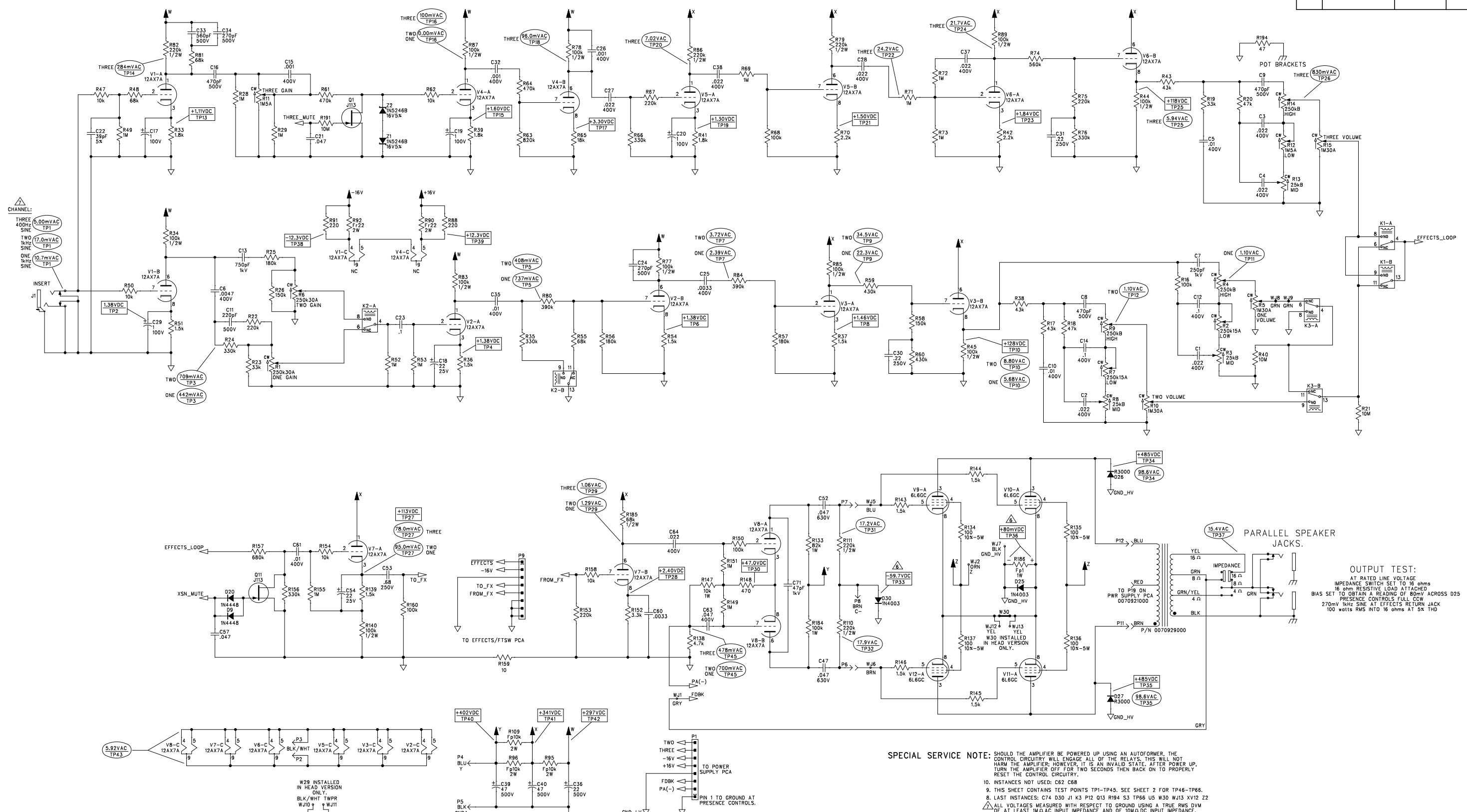
Fender MUSICAL INSTRUMENTS
Corona, CA U.S.A.

TITLE: SERVICE DIAGRAM, COMBINED (schematic)
EVH 5150-III AMPLIFIER
PWR SUPPLY PCA

SIZE DRAWING NUMBER REV.
C 0070916000 **B**

RELEASE DATE: 18-AUG-06 SHEET: 1 OF 2

REVISIONS			
REV.	DESCRIPTION	DATE	APPROVED
A	PR684	04-AUG-06	MCU
B	EC3914		



OUTPUT TEST:
 AT RATED LINE VOLTAGE
 IMPEDANCE SWITCH SET TO 16 ohms
 16 ohm RESISTIVE LOAD ATTACHED
 TO OBTAIN A READING OF 80mV ACROSS D25
 PRESENCE CONTROLS FULL CCW
 270mV 1kHz SINE AT EFFECTS RETURN JACK
 100 watts RMS INTO 16 ohms AT 5% THD

SPECIAL SERVICE NOTE: SHOULD THE AMPLIFIER BE POWERED UP USING AN AUTOFORMER, THE CONTROL CIRCUITRY WILL ENGAGE ALL OF THE RELAYS. THIS WILL NOT HARM THE AMPLIFIER; HOWEVER, IT IS AN INVALID STATE. AFTER POWER UP, TURN THE AMPLIFIER OFF FOR TWO SECONDS THEN BACK ON TO PROPERLY RESET THE CONTROL CIRCUITRY.

10. INSTANCES NOT USED: C62 C68
 9. THIS SHEET CONTAINS TEST POINTS TP1-TP45. SEE SHEET 2 FOR TP46-TP66.
 8. LAST INSTANCES: C74 D30 J1 K3 P12 Q13 R194 S3 TP66 U5 W30 WJ13 XV12 Z2

⚠ ALL VOLTAGES MEASURED WITH RESPECT TO GROUND USING A TRUE RMS DVM OF AT LEAST 1MΩ INPUT IMPEDANCE AND OF 10MΩ DC INPUT IMPEDANCE. VOLTAGES MAY VARY +/-20%. TEST CONDITIONS:
 UNIT OPERATING AT RATED LINE VOLTAGE.
 BIAS SET TO 20mA PER OUTPUT TUBE. SEE NOTE 6.
 ALL DC AND SUPPLY MEASUREMENTS MADE WITH NO SIGNAL.
 ALL CONTROLS AT 50% ROTATION EXCEPT AS NOTED BELOW.
 RB TWO GAIN AND R11 THREE GAIN AT 20% ROTATION (9 O'CLOCK).
 APPLIED SIGNAL AS SPECIFIED AT TP1 TO TEST EACH CHANNEL.
 ⚠ BIAS ADJUSTMENT - NO SIGNAL APPLIED, RATED LINE VOLTAGE AT POWER TRANSFORMER PRIMARY. UNIT ON AND WARMED UP FOR AT LEAST TWO MINUTES. SET BIAS ADJUSTMENT R18 ON POWER SUPPLY PCA 0070921000 TO OBTAIN A READING OF +80mV AT TP36. VOLTAGE SHOWN AT TP33 IS FOR REFERENCE ONLY AND WILL VARY FROM UNIT TO UNIT.

THIS DOCUMENT CONTAINS INFORMATION OF A PROPRIETARY NATURE TO FENDER MUSICAL INSTRUMENTS AND IS SUBMITTED TO YOU IN CONFIDENCE AND SHALL NOT BE DISCLOSED OR TRANSMITTED TO OTHERS WITHOUT AUTHORIZATION FROM FENDER MUSICAL INSTRUMENTS.

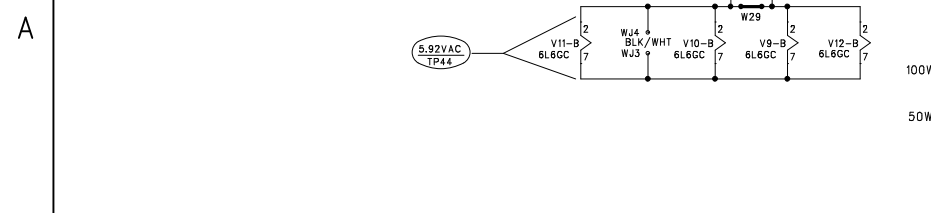
Fender MUSICAL INSTRUMENTS
 Corona, CA U.S.A.

TITLE: SERVICE DIAGRAM, COMBINED (schematic)
 EVH 5150-III AMPLIFIER
 MAIN PCA

CHECKED BY: _____
 DATE: _____
 APPROVED BY: _____
 DATE: _____
 DATABASE FILE: Z684S1.SCH

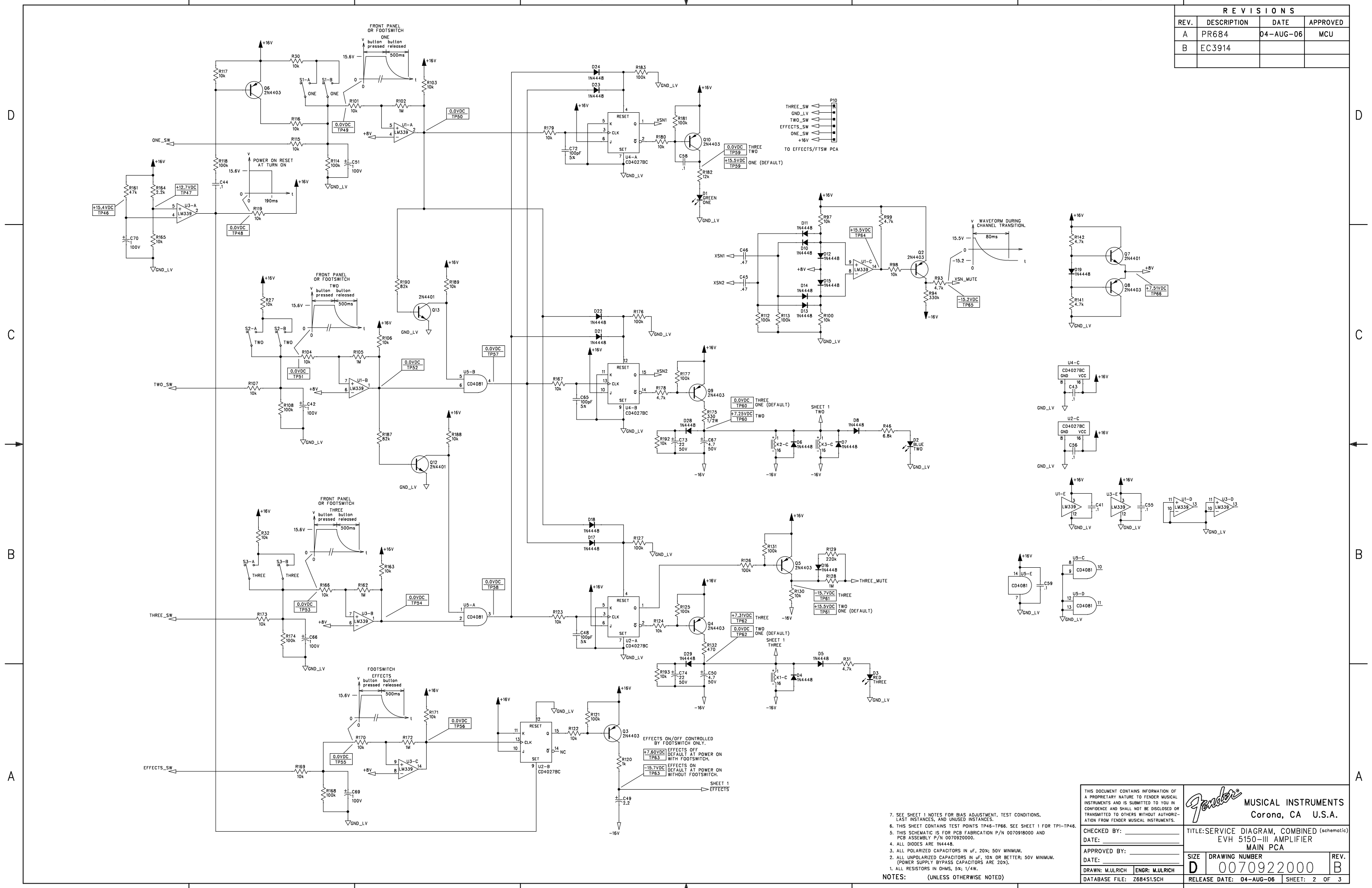
SIZE: **D**
 DRAWING NUMBER: 0070922000
 RELEASE DATE: 04-AUG-06

REV. **B**
 SHEET: 1 OF 3



NOTES: (UNLESS OTHERWISE NOTED)

REVISIONS			
REV.	DESCRIPTION	DATE	APPROVED
A	PR684	04-AUG-06	MCU
B	EC3914		



THIS DOCUMENT CONTAINS INFORMATION OF A PROPRIETARY NATURE TO FENDER MUSICAL INSTRUMENTS AND IS SUBMITTED TO YOU IN CONFERENCE AND SHALL NOT BE DISCLOSED OR TRANSMITTED TO OTHERS WITHOUT AUTHORIZATION FROM FENDER MUSICAL INSTRUMENTS.

Fender MUSICAL INSTRUMENTS
Corona, CA U.S.A.

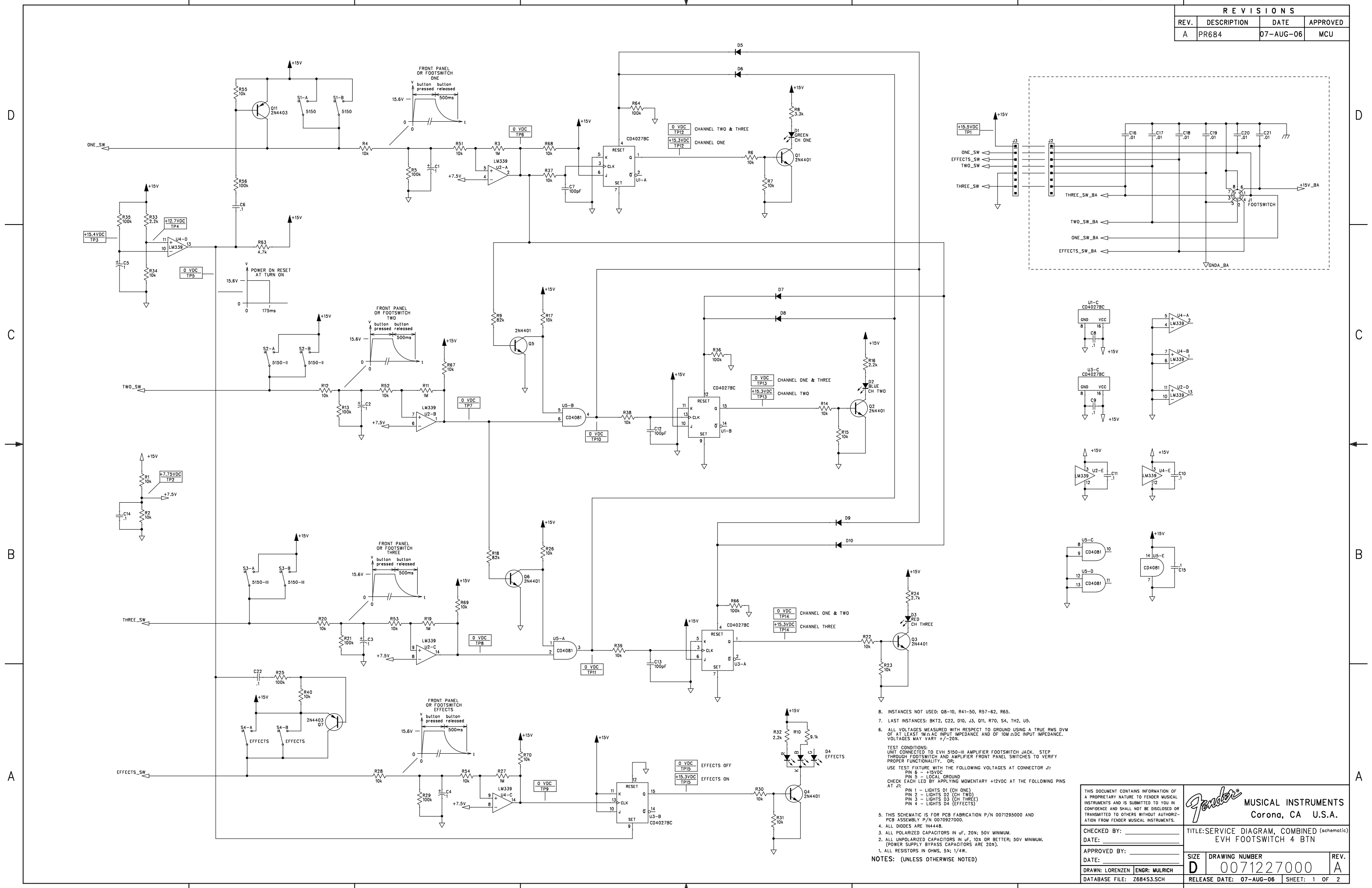
TITLE: SERVICE DIAGRAM, COMBINED (schematic)
EVH 5150-III AMPLIFIER
MAIN PCA

CHECKED BY: _____ DATE: _____
APPROVED BY: _____ DATE: _____
DRAWN: M.LURICH ENGR: M.LURICH DATABASE FILE: Z684S1.SCH

SIZE: **D** DRAWING NUMBER: 0070922000 REV. **B**
RELEASE DATE: 04-AUG-06 SHEET: 2 OF 3

- SEE SHEET 1 NOTES FOR BIAS ADJUSTMENT, TEST CONDITIONS, LAST INSTANCES, AND UNUSED INSTANCES.
 - THIS SHEET CONTAINS TEST POINTS TP46-TP66. SEE SHEET 1 FOR TP1-TP45.
 - THIS SCHEMATIC IS FOR PCB FABRICATION P/N 0070918000 AND PCB ASSEMBLY P/N 0070920000.
 - ALL DIODES ARE 1N4448.
 - ALL POLARIZED CAPACITORS IN μ F, 20% 50V MINIMUM.
 - ALL UNPOLARIZED CAPACITORS IN μ F, 10% OR BETTER; 50V MINIMUM. (POWER SUPPLY BYPASS CAPACITORS ARE 20%).
 - ALL RESISTORS IN OHMS, 5% 1/4W.
- NOTES: (UNLESS OTHERWISE NOTED)

REVISIONS			
REV.	DESCRIPTION	DATE	APPROVED
A	PR684	07-AUG-06	MCU



8. INSTANCES NOT USED: 08-10, R41-50, R57-62, R65.
7. LAST INSTANCES: BKT2, C22, D10, J3, Q11, R70, S4, TH2, U5.
6. ALL VOLTAGES MEASURED WITH RESPECT TO GROUND USING A TRUE RMS DVM OF AT LEAST 1MΩ AC INPUT IMPEDANCE AND OF 10MΩ DC INPUT IMPEDANCE. VOLTAGES MAY VARY +/-20%.
TEST CONDITIONS:
UNIT CONNECTED TO EVH 5150-III AMPLIFIER FOOTSWITCH JACK. STEP THROUGH FOOTSWITCH AND AMPLIFIER FRONT PANEL SWITCHES TO VERIFY PROPER FUNCTIONALITY. OR:
USE TEST FIXTURE WITH THE FOLLOWING VOLTAGES AT CONNECTOR J1:
PIN 6 - +15VDC
PIN 5 - LOCAL GROUND
CHECK EACH LED BY APPLYING MOMENTARY +12VDC AT THE FOLLOWING PINS AT J1:
PIN 1 - LIGHTS D1 (CH ONE)
PIN 2 - LIGHTS D2 (CH TWO)
PIN 3 - LIGHTS D3 (CH THREE)
PIN 4 - LIGHTS D4 (EFFECTS)
5. THIS SCHEMATIC IS FOR PCB FABRICATION P/N 0071295000 AND PCB ASSEMBLY P/N 0070927000.
4. ALL DIODES ARE 1N4448.
3. ALL POLARIZED CAPACITORS IN μF, 20%; 50V MINIMUM.
2. ALL UNPOLARIZED CAPACITORS IN μF, 10% OR BETTER; 50V MINIMUM. (POWER SUPPLY BYPASS CAPACITORS ARE 20%).
1. ALL RESISTORS IN OHMS, 5%; 1/4W.
NOTES: (UNLESS OTHERWISE NOTED)

THIS DOCUMENT CONTAINS INFORMATION OF A PROPRIETARY NATURE TO FENDER MUSICAL INSTRUMENTS AND IS SUBMITTED TO YOU IN CONFERENCE AND SHALL NOT BE DISCLOSED OR TRANSMITTED TO OTHERS WITHOUT AUTHORIZATION FROM FENDER MUSICAL INSTRUMENTS.

Fender MUSICAL INSTRUMENTS
Corona, CA U.S.A.

TITLE: SERVICE DIAGRAM, COMBINED (schematic)
EVH FOOTSWITCH 4 BTN

CHECKED BY: _____ DATE: _____
APPROVED BY: _____ DATE: _____
DRAWN: LORENZEN ENGR: MULRICH
DATABASE FILE: Z684S3.SCH

SIZE: **D** DRAWING NUMBER: 0071227000 REV. A
RELEASE DATE: 07-AUG-06 SHEET: 1 OF 2