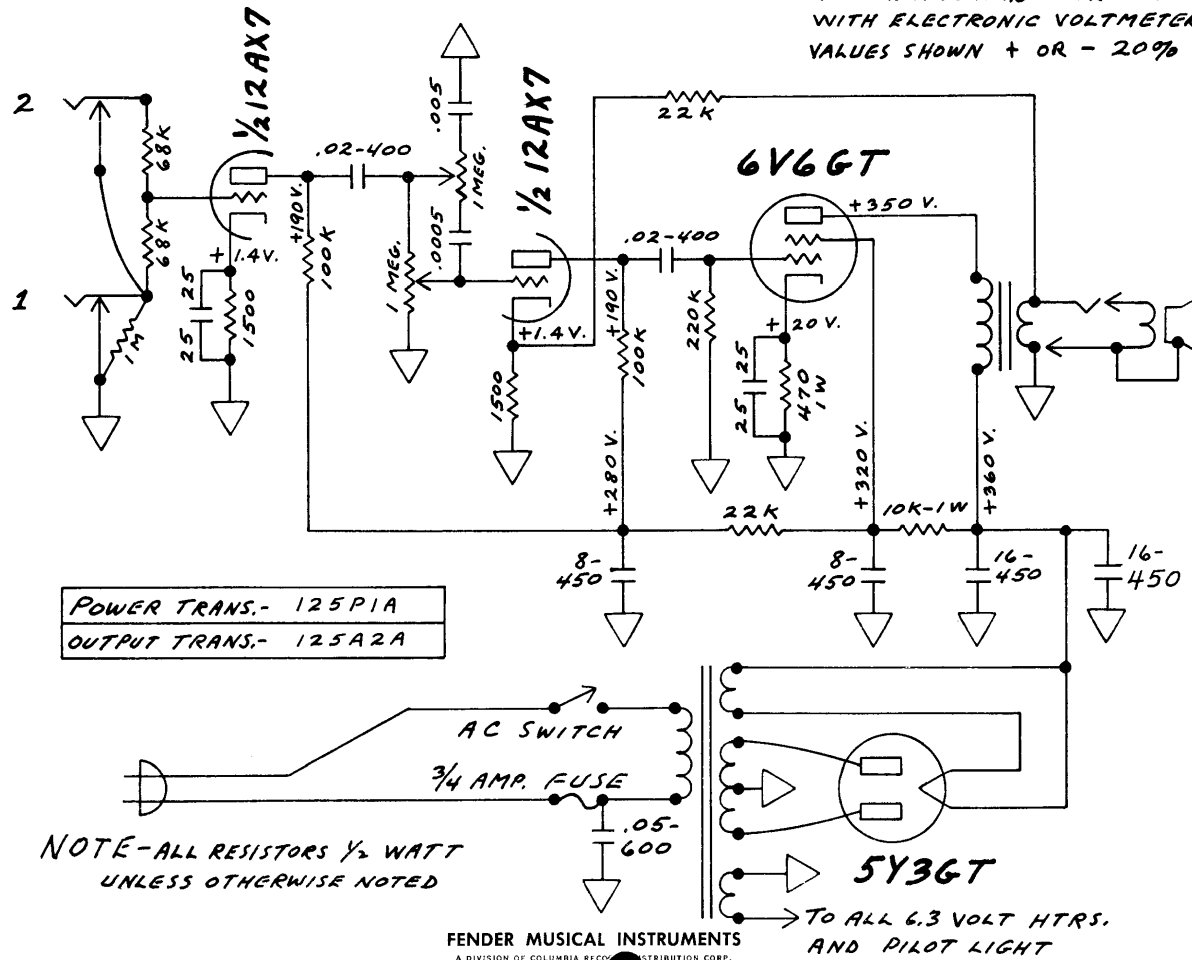


FENDER "HARVARD" SCHEMATIC
MODEL 6G10

NOTICE

D-FB

ALL VOLTAGES READ TO GROUND
WITH ELECTRONIC VOLTMETER
VALUES SHOWN + OR - 20%



POWER TRANS.- 125P1A
OUTPUT TRANS.- 125A2A

NOTE-ALL RESISTORS 1/2 WATT
UNLESS OTHERWISE NOTED

FENDER MUSICAL INSTRUMENTS
A DIVISION OF COLUMBIA RECORD DISTRIBUTION CORP.
SANTA ANA, CALIFORNIA
U.S.A.

TO ALL 6.3 VOLT HTRS.
AND PILOT LIGHT