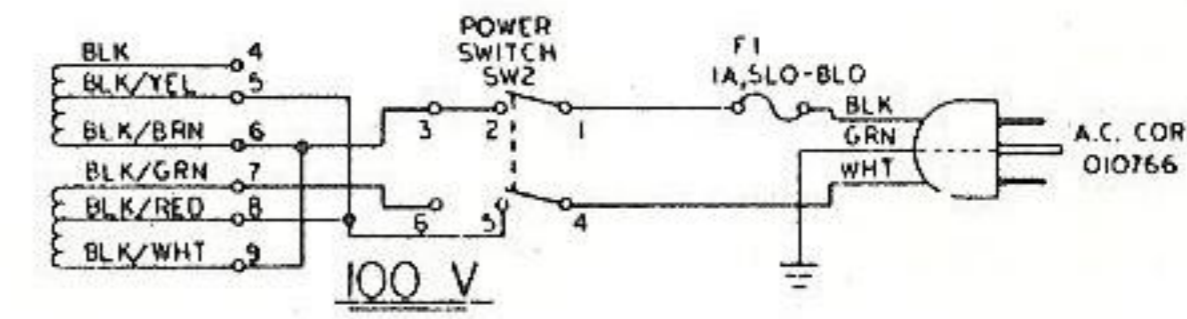
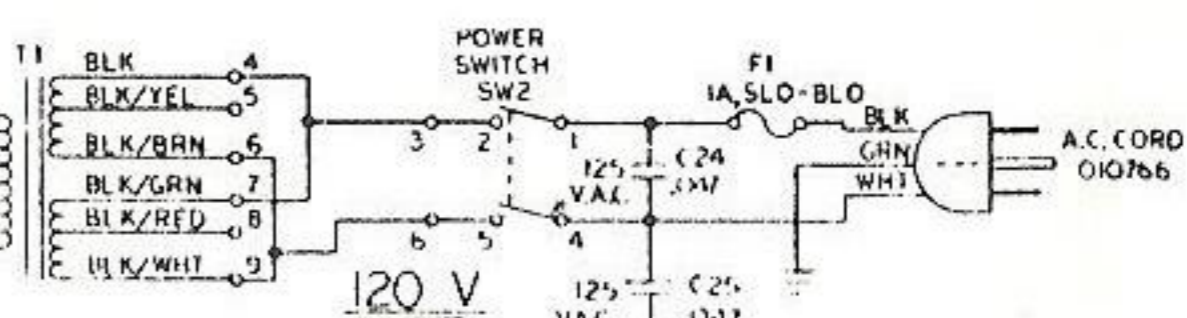
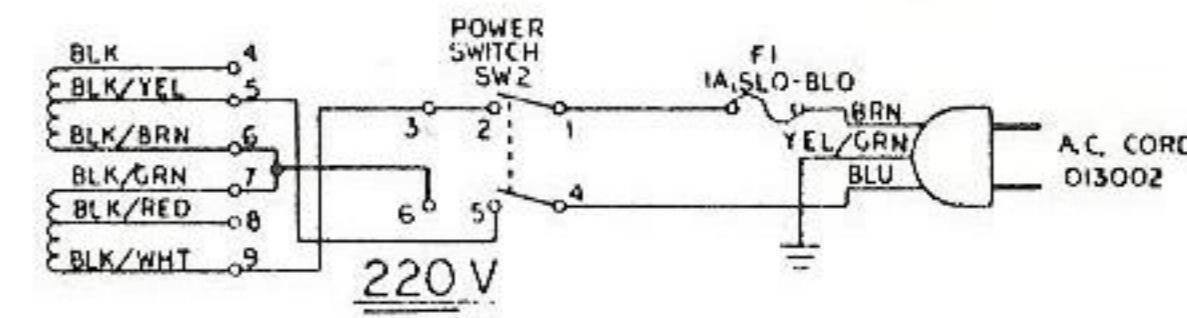
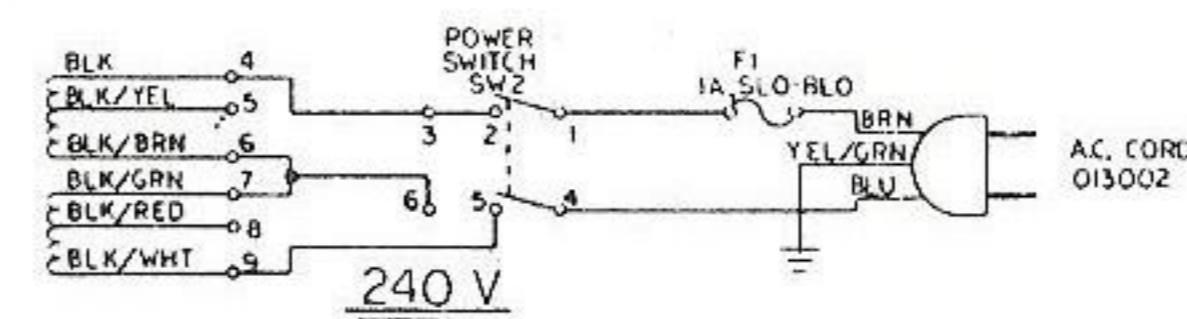
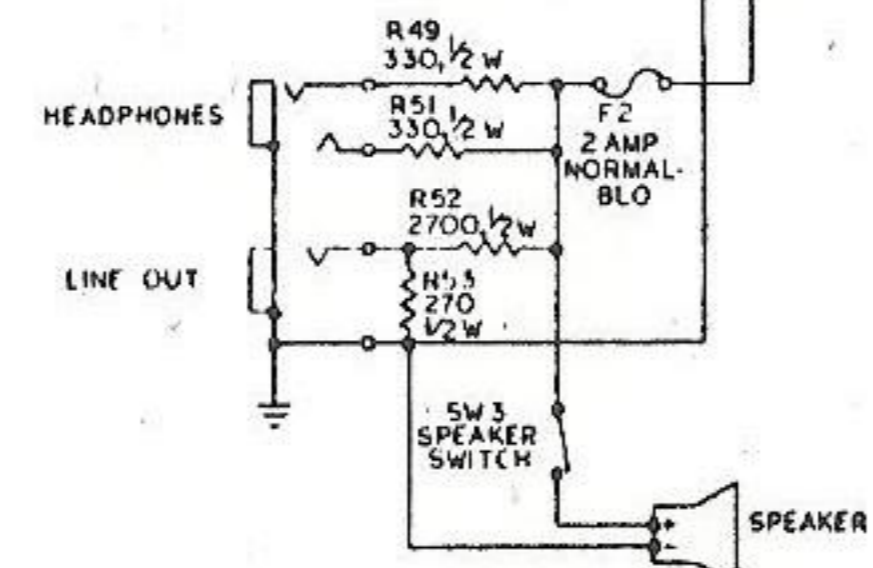


HARVARD REVERB BOARD 97N 018445



- 1. DIODES D1 THRU D10 ARE C.B.S. 97N 018050.
- 2. DIODES D11, D12, D13, D14 ARE C.B.S. 97N 061090.
- 3. DIODES D3 & D4 ARE C.B.S. 97N 006260.
- 4. DIODES D1 & D2 ARE C.B.S. 97N 007405.
- 5. ALL CAPACITOR VALUES ARE IN MICROFARADS.
- 6. ALL RESISTOR VALUES ARE IN OHMS, UNLESS NOTED.

NOTES: UNLESS OTHERWISE STATED

Fender/Ross/Rhodes
 THE ORIGINAL AMPLIFIERS - A DIVISION OF GIBSON
 FORT WORTH, TEXAS 76102

SCHEMATIC-HARVARD
 W/REVERB ALL VERSIONS

PART NO. **018447**

HARVARD