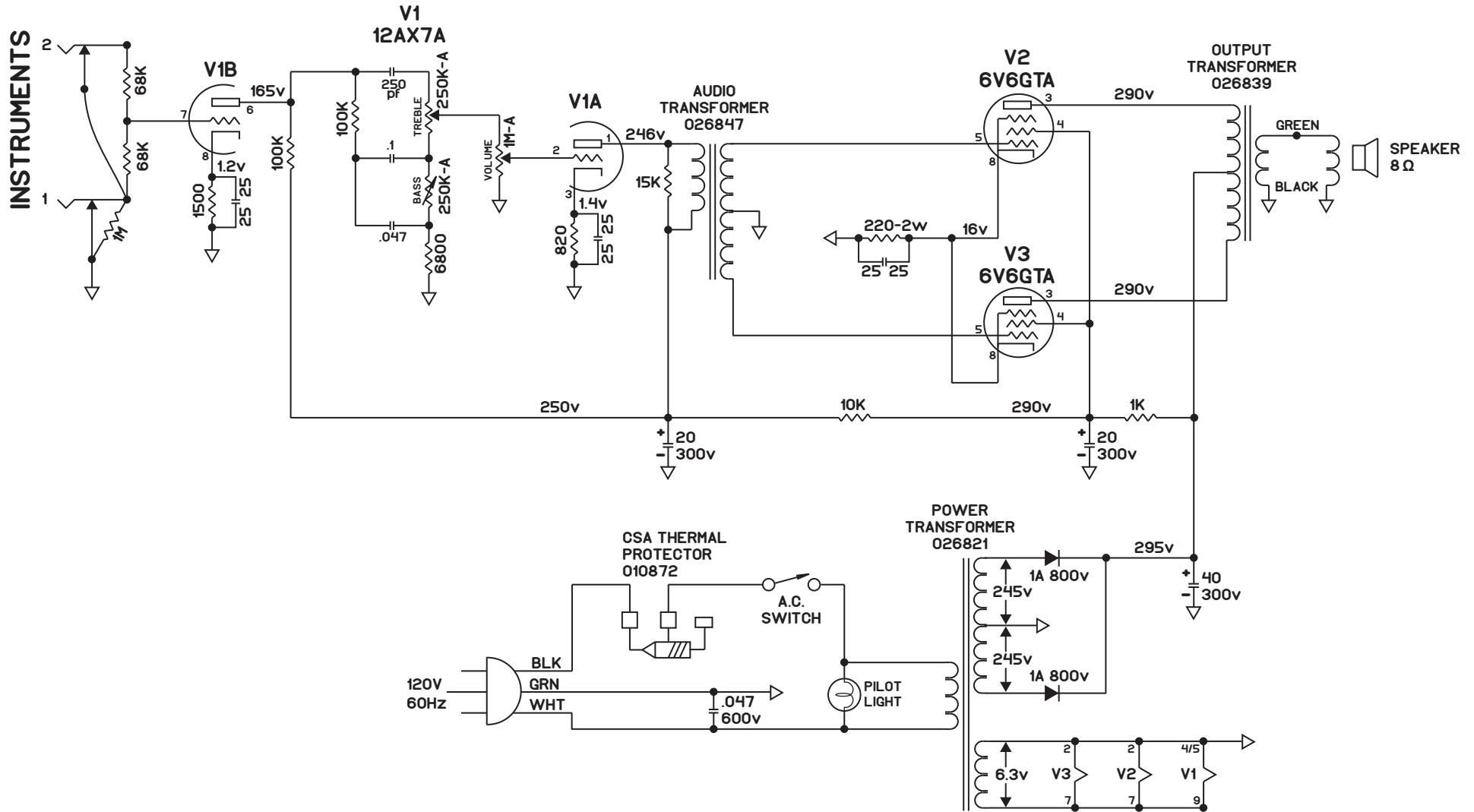


# FENDER MODEL

# "MUSICMASTER-AMP" SCHEMATIC

## NOTICE

1. VOLTAGES READ TO GROUND WITH ELECTRONIC VOLTMETER VALUES SHOWN + OR - 20%
2. ALL RESISTORS 1/2 WATT 10% TOLERANCE IF NOT SPECIFIED
3. ALL CAPACITORS AT LEAST 400 VOLT IF NOT SPECIFIED



This schematic depicts a modification of a manufactured CBS Musical Instruments Fender branded product. This schematic is not generated by, nor authorized or sanctioned by the Fender Music Company, CBS Musical Instruments or other companies affiliated with the Fender name brand.

**Fender** / **ROGERS** / **Rhodes**

CBS MUSICAL INSTRUMENTS - A DIVISION OF CBS, INC.  
FULLERTON, CALIFORNIA 97431

PART NAME  
SCHEMATIC  
MUSICMASTER GUITAR AMP. MOD  
DOMESTIC T.T.

