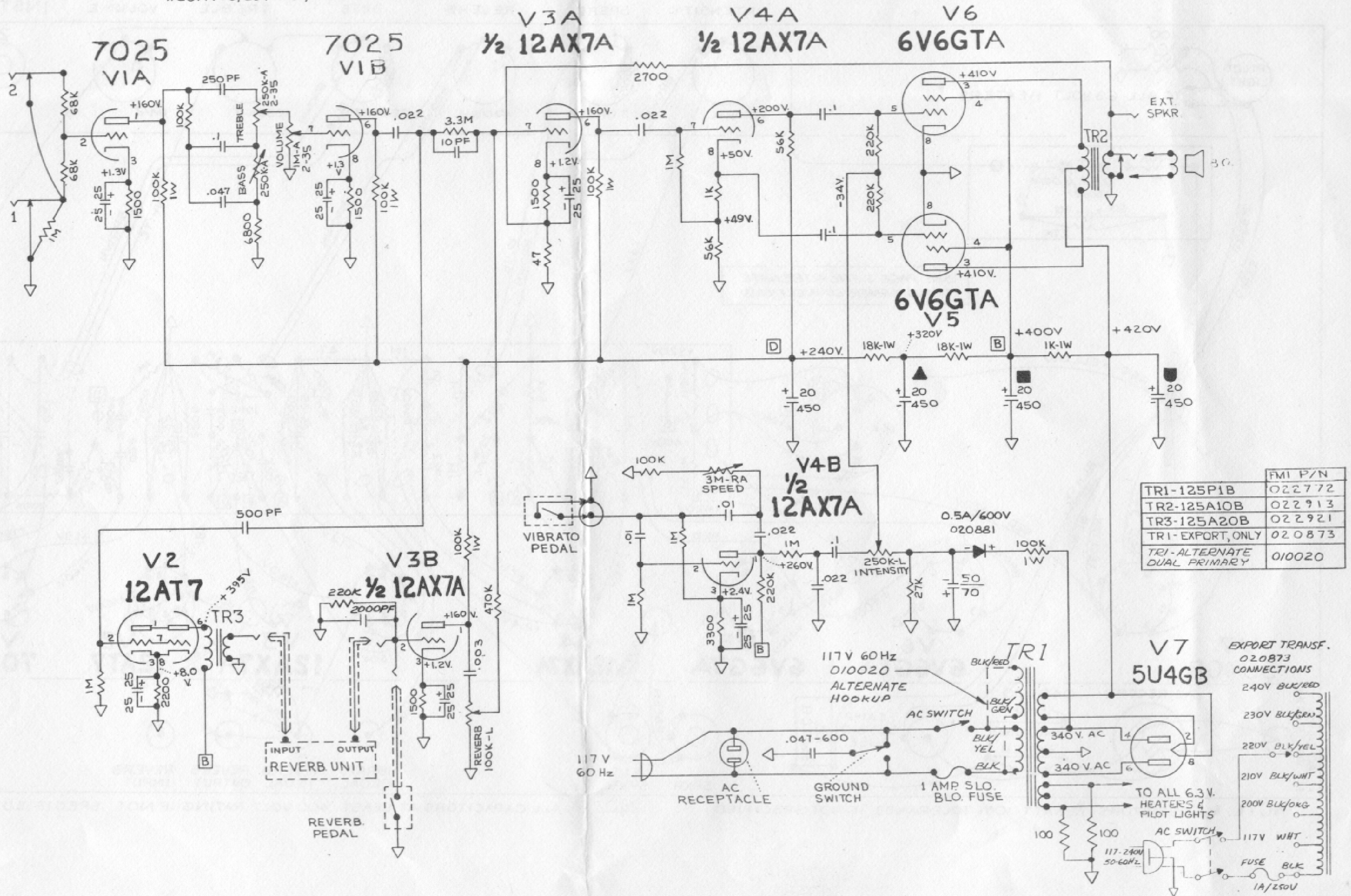


FENDER MODEL "PRINCETON REVERB-AMP B1270" SCHEMATIC NOTICE

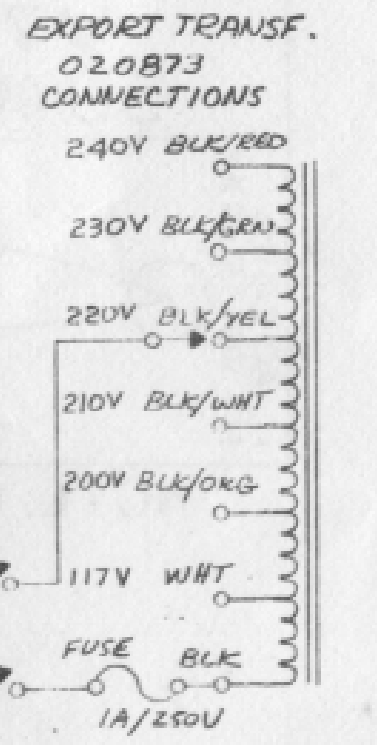
THIS PRODUCT MANUFACTURED UNDER ONE OR MORE OF THE FOLLOWING U.S. PATENTS- #2817708, 2973681, 192859 / PATENTS PENDING.

1. VOLTAGES READ TO GROUND WITH ELECTRONIC VOLTMETER. VALUES SHOWN +OR- 10%.
2. ALL RESISTORS 1/2 WATT 10% TOLERANCE IF NOT SPECIFIED.
3. ALL CAPACITORS AT LEAST 600 VOLT RATING IF NOT SPECIFIED.

INSTRUMENTS



	FMI P/N
TR1-125P1B	022772
TR2-125A10B	022913
TR3-125A20B	022921
TR1-EXPORT, ONLY	020873
TR1-ALTERNATE DUAL PRIMARY	010020



C	ADDED VIB. TRANSFORMER CONNECTIONS FOR 2927.	6-1-71	WJ
B	INCORPORATED ECO # 2819	1-25-71	WJ
A	INCORPORATED ECO 1428	1/6-67	WJ

UNLESS OTHERWISE SPECIFIED TOLERANCES		DWN	CHK	DATE	DATE	DATE	DATE	DATE
FRACTIONS	±1/32	B.R.	B.R.	1/6-71				
X	±.015							
.XX	±.010							
.XXX	±.005							
ANGLES	±1/4°							
FRACTIONAL WOOD	±1/16							
HOLES - CORED	+0.005							
	-0.000							
HOLES - DRILLED	+0.003							
	-0.000							
UNMARKED ANGLES ARE 90° ALL DIMENSIONS ARE IN INCHES DO NOT SCALE DRAWING		MATERIAL:		FINISH:				
USED ON		MATERIAL:		FINISH:				

CBS MUSICAL INSTRUMENTS FULLERTON, CALIFORNIA		DWG. TITLE	
SCHEMATIC & WIRING DIAGRAM DOMESTIC AND EXPORT PRINCETON REVERB AMP		REL. NO. 571	
SCALE		SIZE D	DWG. NO. 045427
MODEL PRINCETON REV. R/P TUBE TYPE		REV C	
SHEET 1 OF 2			

FENDER "PRINCETON REVERB-AMP B1270" LAYOUT NOTICE

K-FD

VOLTAGES READ TO GROUND WITH ELECTRONIC VOLTMETER. VALUES SHOWN +OR- 10%

033043
INTENSITY

021865
SPEED

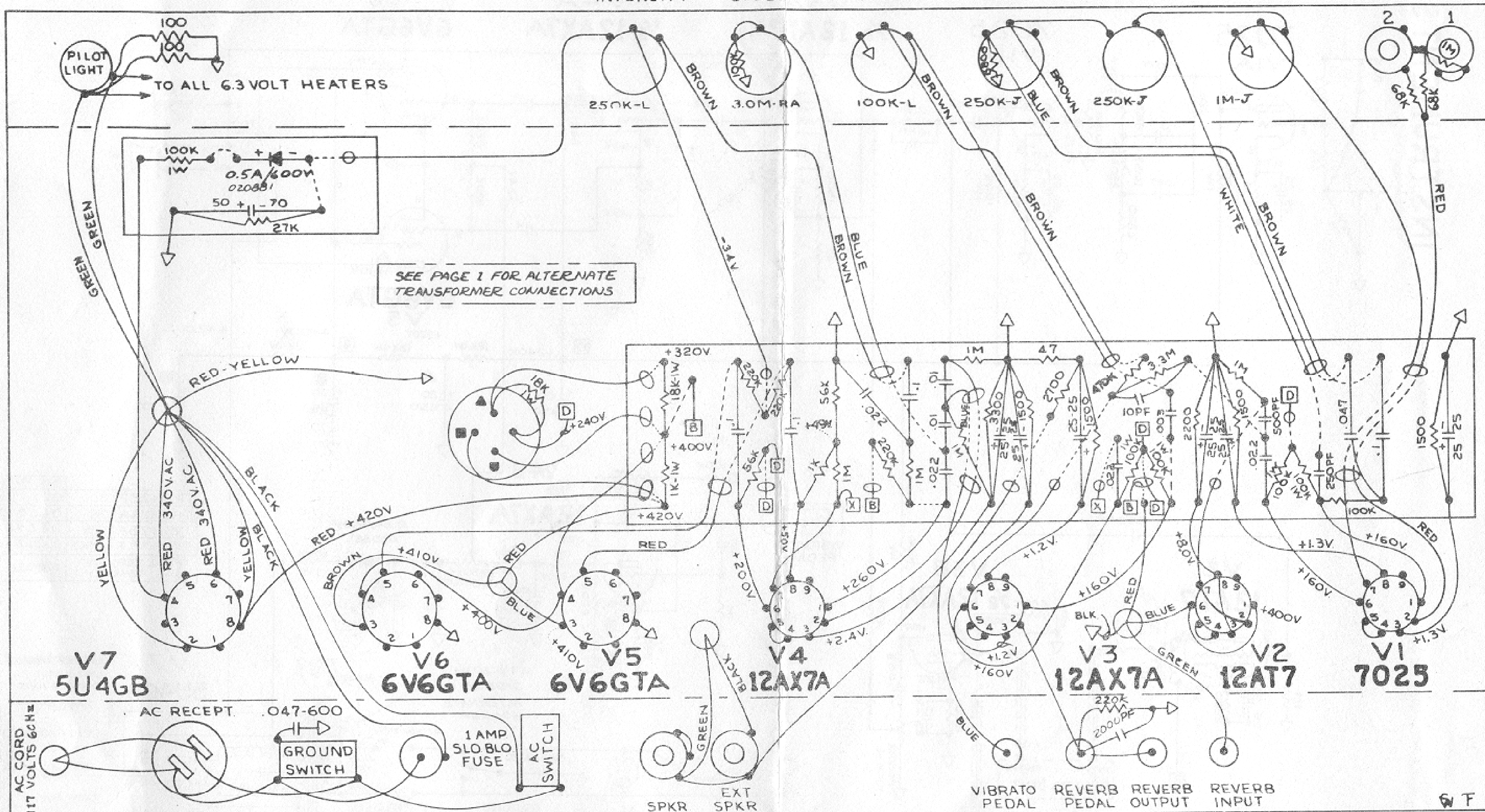
021873
REVERB

021857
BASS

021857
TREBLE

021832
VOLUME

INSTRUMENTS



NOTE: ALL RESISTORS 1/2 WATT 10% TOLERANCE, IF NOT SPECIFIED

NOTE: ALL CAPACITORS AT LEAST 600 VOLT RATING IF NOT SPECIFIED

C	ADDED ALTERNATE TRANSFORMER CONNECTIONS ECO 2929	6-1-71	afms
B	INCORPORATED ECO 2819	1-25-71	afms
A	INCORPORATED ECO 1428	1/6-9	B.S.

DWN	B.P.	DATE	1/6-67	CBS MUSICAL INSTRUMENTS FULLERTON, CALIFORNIA
CHK	B.S.	DATE	1-2-69	
APPD		DATE		
M.E.		DATE		
APPD		DATE	5-4-71	DWG. TITLE SCHEMATIC & WIRING DIAGRAM DOMESTIC AND EXPORT PRINCETON REVERB AMP
MATERIAL:				REL. NO. 571 SIZE D DWG NO. 045427 REV C
FINISH:				SCALE MODEL PRINCETON REVERB-AMP TUBE TYPE SHEET 2 OF 2