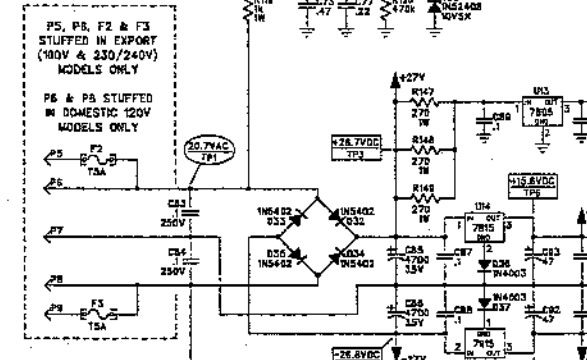
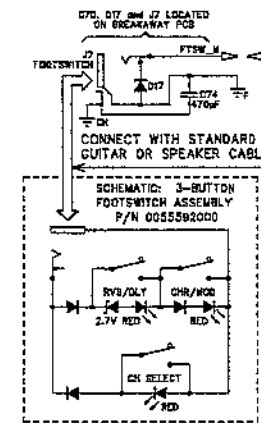
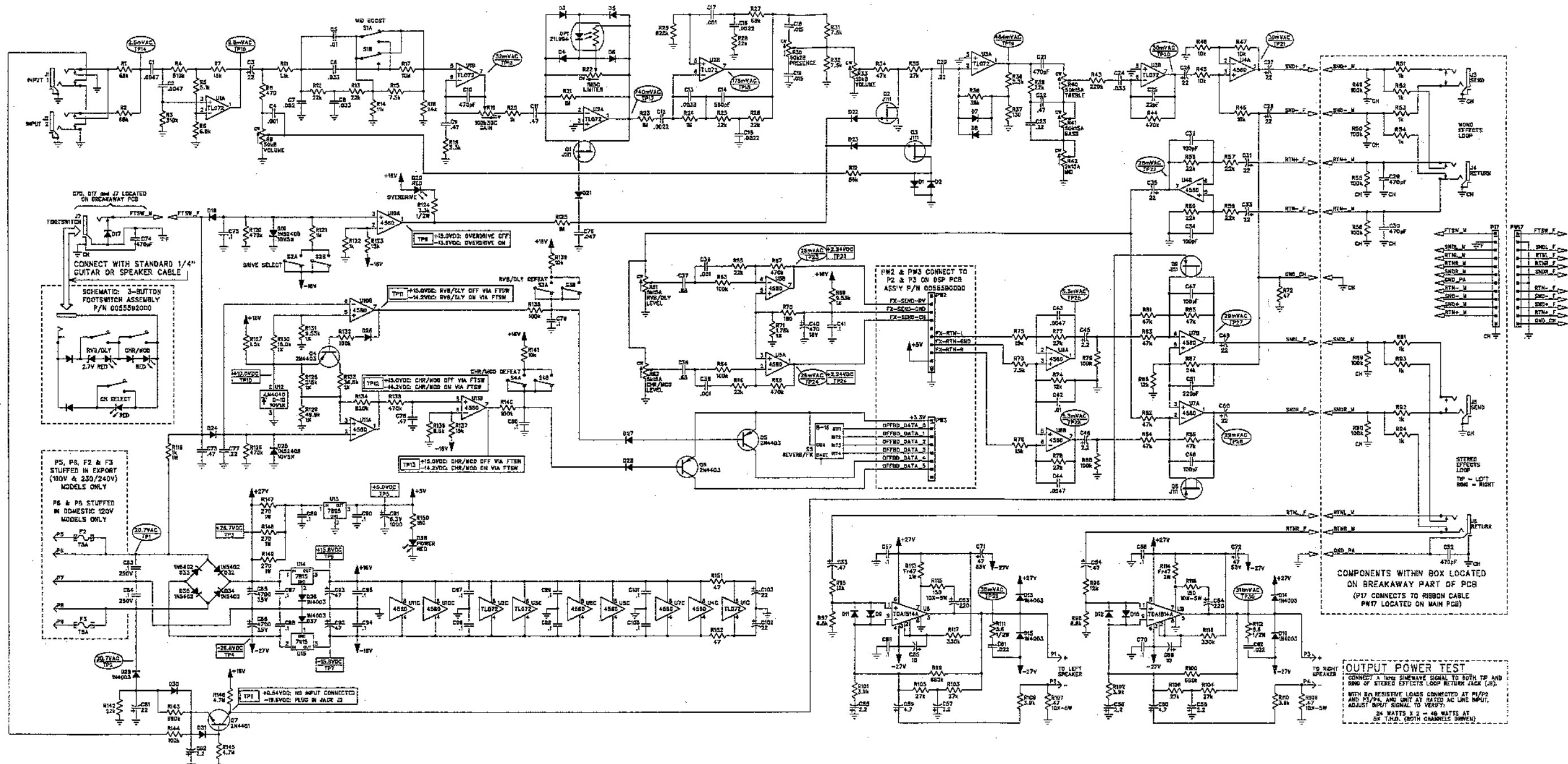


REVISIONS			
REV.	DESCRIPTION	DATE	APPROVED
A	PR424	31-MAR-99	R J D



OUTPUT POWER TEST

CONNECT A 100Ω SINEWAVE SIGNAL TO BOTH TP AND RING OF STEREO EFFECTS LOOP RETURN JACK (J5).

WITH 8Ω RESISTIVE LOADS CONNECTED AT P1/P2 AND P3/P4 AND UNIT AT RATED AC LINE VOLTAGE, ADJUST INPUT SIGNAL TO VERIFY:

24 WATTS X 2 = 48 WATTS AT 50% THD (BOTH CHANNELS DRIVEN)

THE DOCUMENT CONTAINS INFORMATION OF A PROPRIETARY NATURE TO FENDER MUSICAL INSTRUMENTS AND IS SUBMITTED TO YOU IN CONFIDENCE AND SHALL NOT BE DISCLOSED OR TRANSMITTED TO OTHERS WITHOUT AUTHORIZATION FROM FENDER MUSICAL INSTRUMENTS.

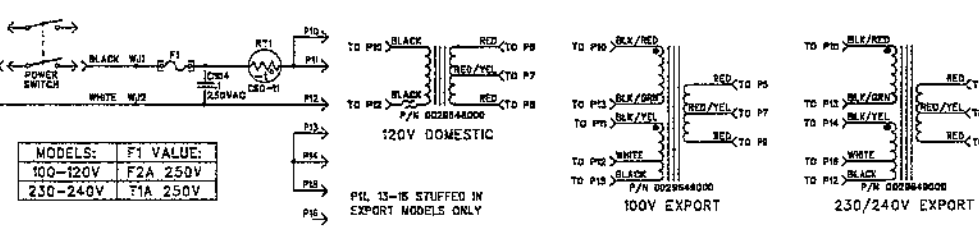
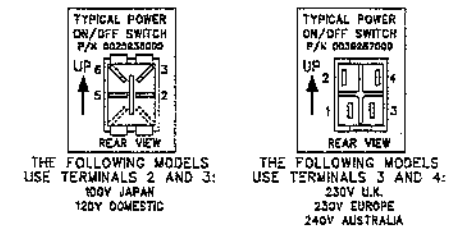
Fender MUSICAL INSTRUMENTS
2621 Research Drive
Corona, CA 91720 USA

CHECKED BY: *BRD*
DATE: 31-MAR-99
APPROVED BY: *[Signature]*
DATE: 31-MAR-99

TITLE: SERVICE DIAGRAM, COMBINED (schematic)
PRINCETON CHORUS DSP
MAIN PCB

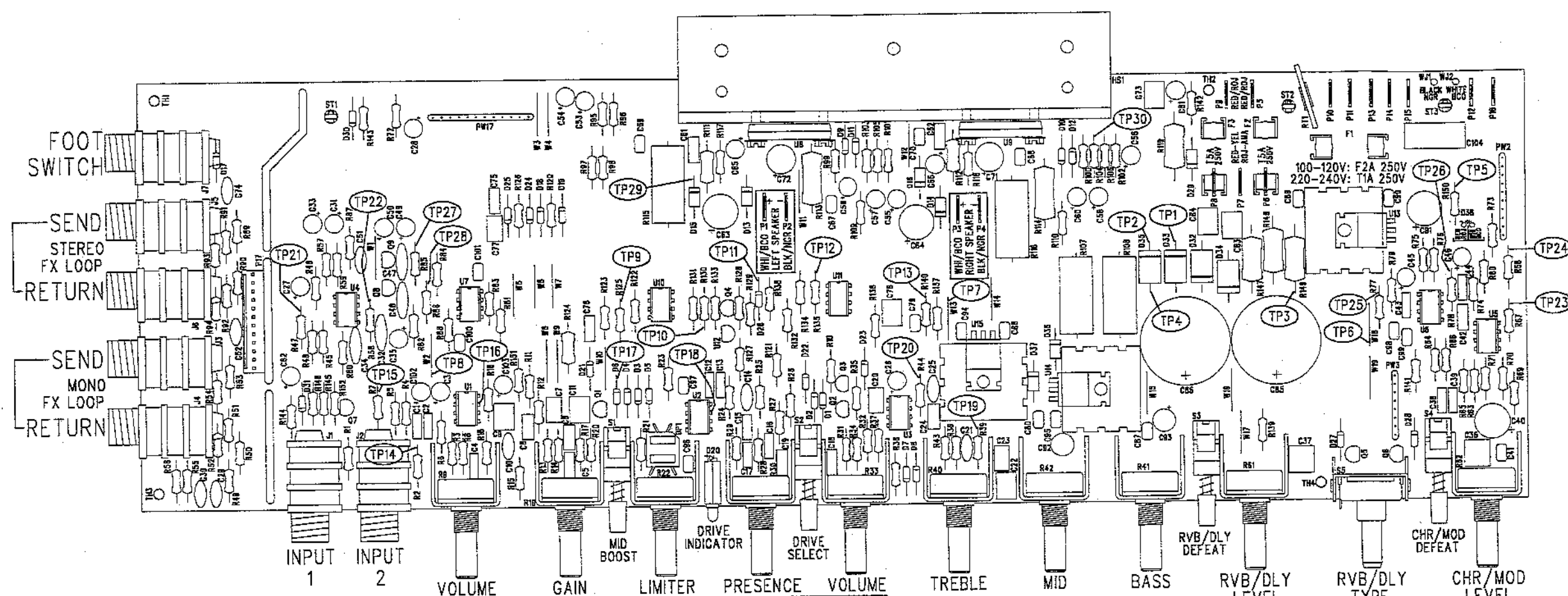
SIZE: D
DRAWING NUMBER: 0055578000
REV. A

DRAWN BY: ENR: B. DESI
DATABASE FILE: 2424S.SCH
RELEASE DATE: 31-MAR-99
SHEET: 1 OF 2



1. LAST REFERENCED DESIGNATORS: CH1, CH2, CH3, CH4, CH5, CH6, CH7, CH8, CH9, CH10, CH11, CH12, CH13, CH14, CH15, CH16, CH17, CH18, CH19, CH20, CH21, CH22, CH23, CH24, CH25, CH26, CH27, CH28, CH29, CH30, CH31, CH32, CH33, CH34, CH35, CH36, CH37, CH38, CH39, CH40, CH41, CH42, CH43, CH44, CH45, CH46, CH47, CH48, CH49, CH50, CH51, CH52, CH53, CH54, CH55, CH56, CH57, CH58, CH59, CH60, CH61, CH62, CH63, CH64, CH65, CH66, CH67, CH68, CH69, CH70, CH71, CH72, CH73, CH74, CH75, CH76, CH77, CH78, CH79, CH80, CH81, CH82, CH83, CH84, CH85, CH86, CH87, CH88, CH89, CH90, CH91, CH92, CH93, CH94, CH95, CH96, CH97, CH98, CH99, CH100, CH101, CH102, CH103, CH104, CH105, CH106, CH107, CH108, CH109, CH110, CH111, CH112, CH113, CH114, CH115, CH116, CH117, CH118, CH119, CH120, CH121, CH122, CH123, CH124, CH125, CH126, CH127, CH128, CH129, CH130, CH131, CH132, CH133, CH134, CH135, CH136, CH137, CH138, CH139, CH140, CH141, CH142, CH143, CH144, CH145, CH146, CH147, CH148, CH149, CH150, CH151, CH152, CH153, CH154, CH155, CH156, CH157, CH158, CH159, CH160, CH161, CH162, CH163, CH164, CH165, CH166, CH167, CH168, CH169, CH170, CH171, CH172, CH173, CH174, CH175, CH176, CH177, CH178, CH179, CH180, CH181, CH182, CH183, CH184, CH185, CH186, CH187, CH188, CH189, CH190, CH191, CH192, CH193, CH194, CH195, CH196, CH197, CH198, CH199, CH200, CH201, CH202, CH203, CH204, CH205, CH206, CH207, CH208, CH209, CH210, CH211, CH212, CH213, CH214, CH215, CH216, CH217, CH218, CH219, CH220, CH221, CH222, CH223, CH224, CH225, CH226, CH227, CH228, CH229, CH230, CH231, CH232, CH233, CH234, CH235, CH236, CH237, CH238, CH239, CH240, CH241, CH242, CH243, CH244, CH245, CH246, CH247, CH248, CH249, CH250, CH251, CH252, CH253, CH254, CH255, CH256, CH257, CH258, CH259, CH260, CH261, CH262, CH263, CH264, CH265, CH266, CH267, CH268, CH269, CH270, CH271, CH272, CH273, CH274, CH275, CH276, CH277, CH278, CH279, CH280, CH281, CH282, CH283, CH284, CH285, CH286, CH287, CH288, CH289, CH290, CH291, CH292, CH293, CH294, CH295, CH296, CH297, CH298, CH299, CH300, CH301, CH302, CH303, CH304, CH305, CH306, CH307, CH308, CH309, CH310, CH311, CH312, CH313, CH314, CH315, CH316, CH317, CH318, CH319, CH320, CH321, CH322, CH323, CH324, CH325, CH326, CH327, CH328, CH329, CH330, CH331, CH332, CH333, CH334, CH335, CH336, CH337, CH338, CH339, CH340, CH341, CH342, CH343, CH344, CH345, CH346, CH347, CH348, CH349, CH350, CH351, CH352, CH353, CH354, CH355, CH356, CH357, CH358, CH359, CH360, CH361, CH362, CH363, CH364, CH365, CH366, CH367, CH368, CH369, CH370, CH371, CH372, CH373, CH374, CH375, CH376, CH377, CH378, CH379, CH380, CH381, CH382, CH383, CH384, CH385, CH386, CH387, CH388, CH389, CH390, CH391, CH392, CH393, CH394, CH395, CH396, CH397, CH398, CH399, CH400, CH401, CH402, CH403, CH404, CH405, CH406, CH407, CH408, CH409, CH410, CH411, CH412, CH413, CH414, CH415, CH416, CH417, CH418, CH419, CH420, CH421, CH422, CH423, CH424, CH425, CH426, CH427, CH428, CH429, CH430, CH431, CH432, CH433, CH434, CH435, CH436, CH437, CH438, CH439, CH440, CH441, CH442, CH443, CH444, CH445, CH446, CH447, CH448, CH449, CH450, CH451, CH452, CH453, CH454, CH455, CH456, CH457, CH458, CH459, CH460, CH461, CH462, CH463, CH464, CH465, CH466, CH467, CH468, CH469, CH470, CH471, CH472, CH473, CH474, CH475, CH476, CH477, CH478, CH479, CH480, CH481, CH482, CH483, CH484, CH485, CH486, CH487, CH488, CH489, CH490, CH491, CH492, CH493, CH494, CH495, CH496, CH497, CH498, CH499, CH500, CH501, CH502, CH503, CH504, CH505, CH506, CH507, CH508, CH509, CH510, CH511, CH512, CH513, CH514, CH515, CH516, CH517, CH518, CH519, CH520, CH521, CH522, CH523, CH524, CH525, CH526, CH527, CH528, CH529, CH530, CH531, CH532, CH533, CH534, CH535, CH536, CH537, CH538, CH539, CH540, CH541, CH542, CH543, CH544, CH545, CH546, CH547, CH548, CH549, CH550, CH551, CH552, CH553, CH554, CH555, CH556, CH557, CH558, CH559, CH560, CH561, CH562, CH563, CH564, CH565, CH566, CH567, CH568, CH569, CH570, CH571, CH572, CH573, CH574, CH575, CH576, CH577, CH578, CH579, CH580, CH581, CH582, CH583, CH584, CH585, CH586, CH587, CH588, CH589, CH590, CH591, CH592, CH593, CH594, CH595, CH596, CH597, CH598, CH599, CH600, CH601, CH602, CH603, CH604, CH605, CH606, CH607, CH608, CH609, CH610, CH611, CH612, CH613, CH614, CH615, CH616, CH617, CH618, CH619, CH620, CH621, CH622, CH623, CH624, CH625, CH626, CH627, CH628, CH629, CH630, CH631, CH632, CH633, CH634, CH635, CH636, CH637, CH638, CH639, CH640, CH641, CH642, CH643, CH644, CH645, CH646, CH647, CH648, CH649, CH650, CH651, CH652, CH653, CH654, CH655, CH656, CH657, CH658, CH659, CH660, CH661, CH662, CH663, CH664, CH665, CH666, CH667, CH668, CH669, CH670, CH671, CH672, CH673, CH674, CH675, CH676, CH677, CH678, CH679, CH680, CH681, CH682, CH683, CH684, CH685, CH686, CH687, CH688, CH689, CH690, CH691, CH692, CH693, CH694, CH695, CH696, CH697, CH698, CH699, CH700, CH701, CH702, CH703, CH704, CH705, CH706, CH707, CH708, CH709, CH710, CH711, CH712, CH713, CH714, CH715, CH716, CH717, CH718, CH719, CH720, CH721, CH722, CH723, CH724, CH725, CH726, CH727, CH728, CH729, CH730, CH731, CH732, CH733, CH734, CH735, CH736, CH737, CH738, CH739, CH740, CH741, CH742, CH743, CH744, CH745, CH746, CH747, CH748, CH749, CH750, CH751, CH752, CH753, CH754, CH755, CH756, CH757, CH758, CH759, CH760, CH761, CH762, CH763, CH764, CH765, CH766, CH767, CH768, CH769, CH770, CH771, CH772, CH773, CH774, CH775, CH776, CH777, CH778, CH779, CH780, CH781, CH782, CH783, CH784, CH785, CH786, CH787, CH788, CH789, CH790, CH791, CH792, CH793, CH794, CH795, CH796, CH797, CH798, CH799, CH800, CH801, CH802, CH803, CH804, CH805, CH806, CH807, CH808, CH809, CH810, CH811, CH812, CH813, CH814, CH815, CH816, CH817, CH818, CH819, CH820, CH821, CH822, CH823, CH824, CH825, CH826, CH827, CH828, CH829, CH830, CH831, CH832, CH833, CH834, CH835, CH836, CH837, CH838, CH839, CH840, CH841, CH842, CH843, CH844, CH845, CH846, CH847, CH848, CH849, CH850, CH851, CH852, CH853, CH854, CH855, CH856, CH857, CH858, CH859, CH860, CH861, CH862, CH863, CH864, CH865, CH866, CH867, CH868, CH869, CH870, CH871, CH872, CH873, CH874, CH875, CH876, CH877, CH878, CH879, CH880, CH881, CH882, CH883, CH884, CH885, CH886, CH887, CH888, CH889, CH890, CH891, CH892, CH893, CH894, CH895, CH896, CH897, CH898, CH899, CH900, CH901, CH902, CH903, CH904, CH905, CH906, CH907, CH908, CH909, CH910, CH911, CH912, CH913, CH914, CH915, CH916, CH917, CH918, CH919, CH920, CH921, CH922, CH923, CH924, CH925, CH926, CH927, CH928, CH929, CH930, CH931, CH932, CH933, CH934, CH935, CH936, CH937, CH938, CH939, CH940, CH941, CH942, CH943, CH944, CH945, CH946, CH947, CH948, CH949, CH950, CH951, CH952, CH953, CH954, CH955, CH956, CH957, CH958, CH959, CH960, CH961, CH962, CH963, CH964, CH965, CH966, CH967, CH968, CH969, CH970, CH971, CH972, CH973, CH974, CH975, CH976, CH977, CH978, CH979, CH980, CH981, CH982, CH983, CH984, CH985, CH986, CH987, CH988, CH989, CH990, CH991, CH992, CH993, CH994, CH995, CH996, CH997, CH998, CH999, CH1000.

REVISIONS			
REV.	DESCRIPTION	DATE	APPROVED
A	PR424	31-MAR-99	R J D



FLM/DWG: SERVICE DIAGRAM
 DATABASE: Z424P.PCB DATE: 31-MAR-99

- 2. DSP ASSEMBLY P/N 0055590000 MUST BE CONNECTED TO PW2 FOR SIGNAL TO APPEAR AT TP25 AND TP26.
- 1. SEE SHEET 1 FOR PRIMARY WIRING, TEST CONDITIONS AND TESTPOINT VALUES.

NOTES: (UNLESS OTHERWISE NOTED)

THIS DOCUMENT CONTAINS INFORMATION OF A PROPRIETARY NATURE TO FENDER MUSICAL INSTRUMENTS AND IS SUBMITTED TO YOU IN CONFERENCE AND SHALL NOT BE DISCLOSED OR TRANSMITTED TO OTHERS WITHOUT AUTHORIZATION FROM FENDER MUSICAL INSTRUMENTS.		MUSICAL INSTRUMENTS 2621 Research Drive Corona, CA 91720 USA	
CHECKED BY: <u>B. Desi</u> DATE: <u>31-MAR-99</u>		TITLE: SERVICE DIAGRAM, COMBINED (PCB assy) PRINCETON CHORUS DSP MAIN PCB	
APPROVED BY: <u>[Signature]</u> DATE: <u>31-MAR-99</u>		SIZE: <u>C</u>	DRAWING NUMBER: <u>0055578000</u>
DRAWN: B. DESI	ENGR: B. DESI	RELEASE DATE: 31-MAR-99	REV. <u>A</u> SHEET 2 OF 2
DATABASE FILE: Z424P.PCB			