

FENDER MODEL

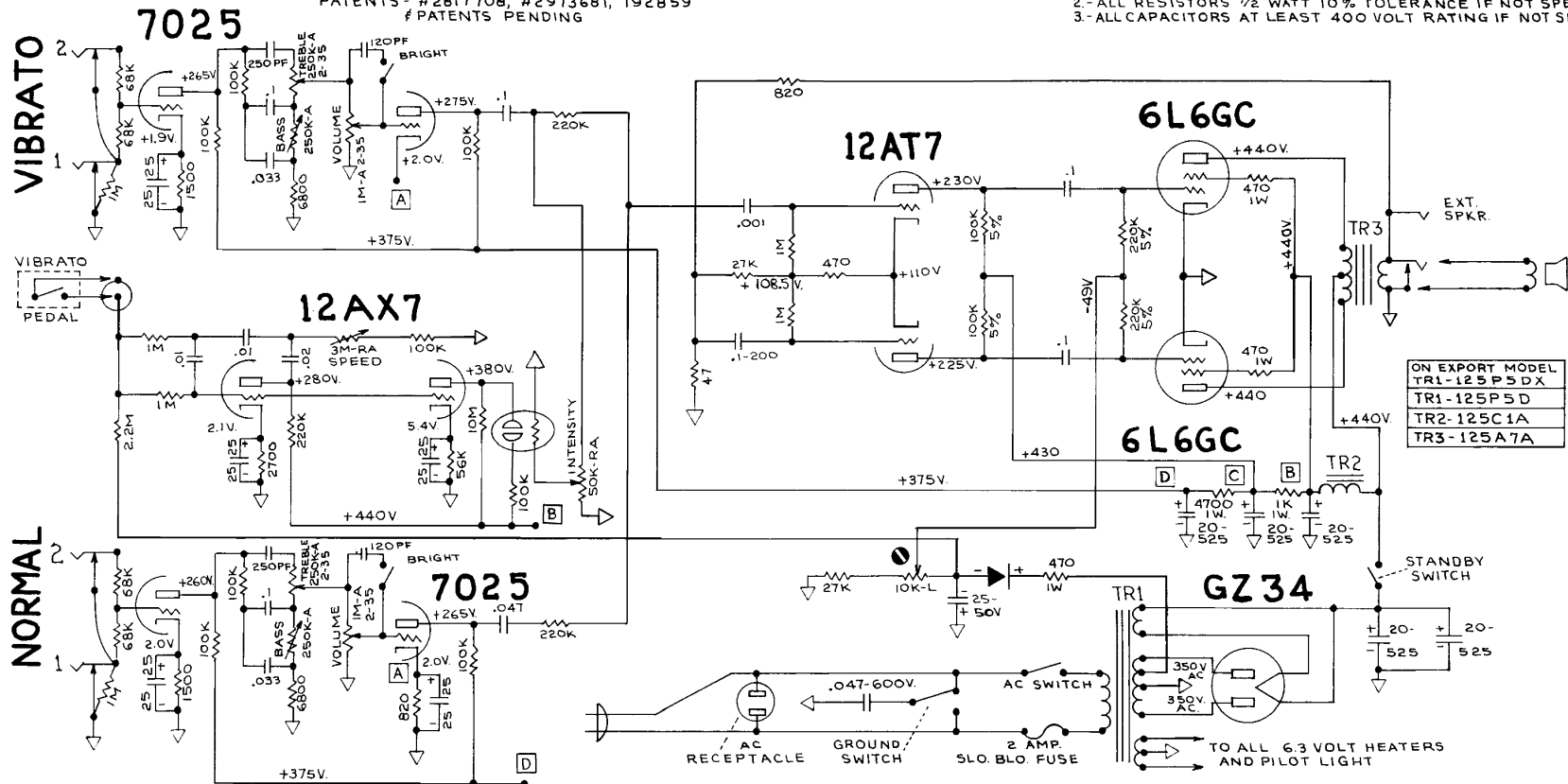
"PRO-AMP AA763" SCHEMATIC

NOTICE

THIS PRODUCT MANUFACTURED UNDER ONE OR MORE OF THE FOLLOWING U.S. PATENTS - #2817708, #2973681, 192859 & PATENTS PENDING

L-F-C

- 1.-VOLTAGES READ TO GROUND WITH ELECTRONIC VOLTMETER. VALUES SHOWN + OR - 20%.
- 2.-ALL RESISTORS 1/2 WATT 10% TOLERANCE IF NOT SPECIFIED.
- 3.-ALL CAPACITORS AT LEAST 400 VOLT RATING IF NOT SPECIFIED.



ON EXPORT MODEL
TR1-125P5DX
TR1-125P5D
TR2-125C1A
TR3-125A7A

FENDER ELECTRIC INSTRUMENT COMPANY
FULLERTON, CALIFORNIA