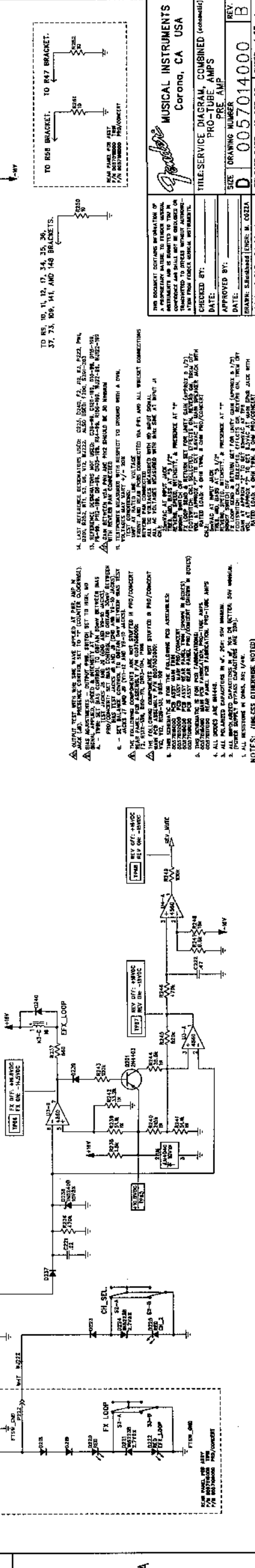
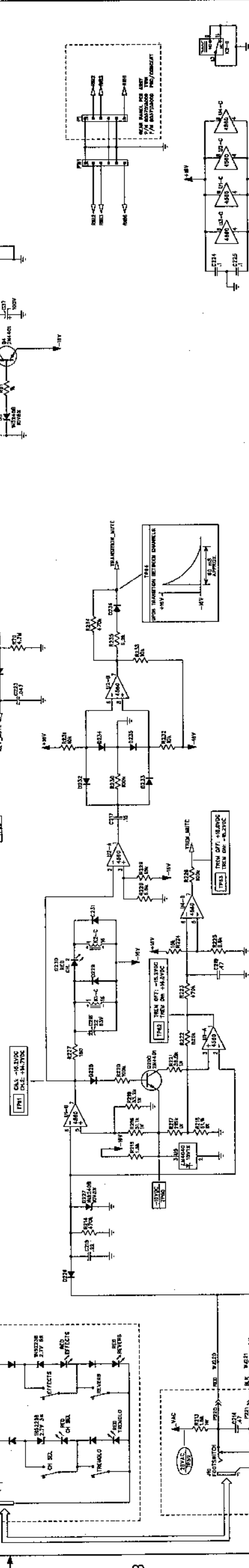
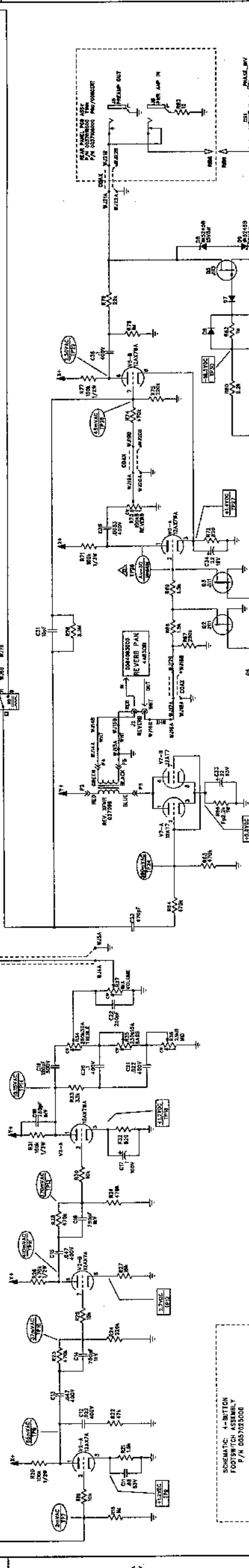
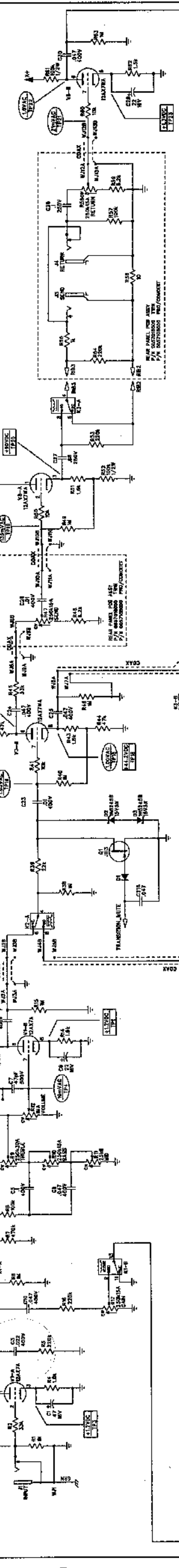


REV.	DESCRIPTION	DATE	APPROVED
A	PR448	16-OCT-00	S.M.B.
B	EC 2606	23-FEB-01	S.M.B.

REVISIONS			
REV.	DESCRIPTION	DATE	APPROVED
A	PR448	16-OCT-00	S.M.B.
B	EC 2606	23-FEB-01	S.M.B.

1 2 3 4 5 6 7 8



1. OUTPUT TEST WITH WAVE SHAPES APPLIED AT PRE-AMP JACK (SEE FIG. 1). PHASE CONTROL SET TO 0 (QUANTER COUNTER).
2. ALL ADJUSTMENTS SHOULD BE MADE WITH SET TO 0 (QUANTER COUNTER).
3. PHASE CONTROL SET TO 0 (QUANTER COUNTER).
4. PHASE CONTROL SET TO 0 (QUANTER COUNTER).
5. PHASE CONTROL SET TO 0 (QUANTER COUNTER).
6. PHASE CONTROL SET TO 0 (QUANTER COUNTER).
7. PHASE CONTROL SET TO 0 (QUANTER COUNTER).
8. PHASE CONTROL SET TO 0 (QUANTER COUNTER).
9. PHASE CONTROL SET TO 0 (QUANTER COUNTER).
10. PHASE CONTROL SET TO 0 (QUANTER COUNTER).
11. PHASE CONTROL SET TO 0 (QUANTER COUNTER).
12. PHASE CONTROL SET TO 0 (QUANTER COUNTER).
13. PHASE CONTROL SET TO 0 (QUANTER COUNTER).
14. PHASE CONTROL SET TO 0 (QUANTER COUNTER).
15. PHASE CONTROL SET TO 0 (QUANTER COUNTER).
16. PHASE CONTROL SET TO 0 (QUANTER COUNTER).
17. PHASE CONTROL SET TO 0 (QUANTER COUNTER).
18. PHASE CONTROL SET TO 0 (QUANTER COUNTER).
19. PHASE CONTROL SET TO 0 (QUANTER COUNTER).
20. PHASE CONTROL SET TO 0 (QUANTER COUNTER).

MUSICAL INSTRUMENTS
Corona, CA USA

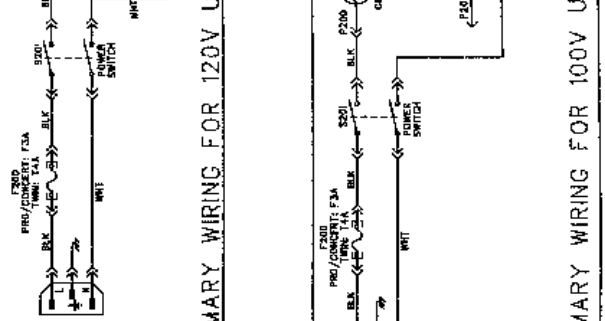
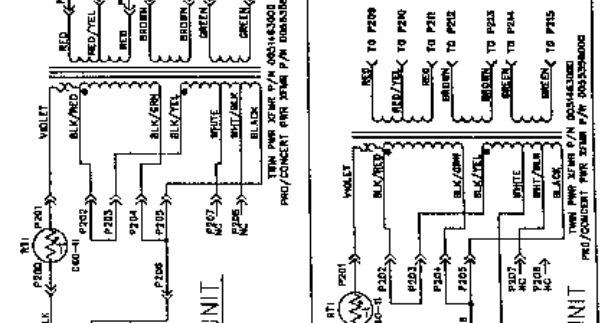
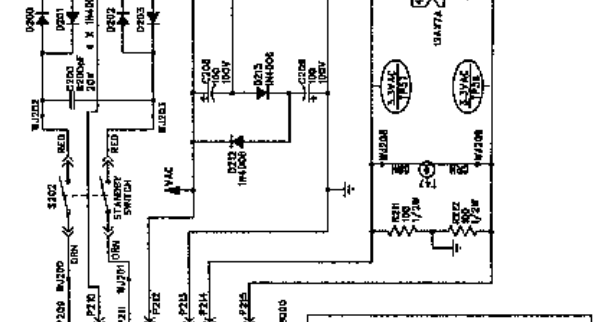
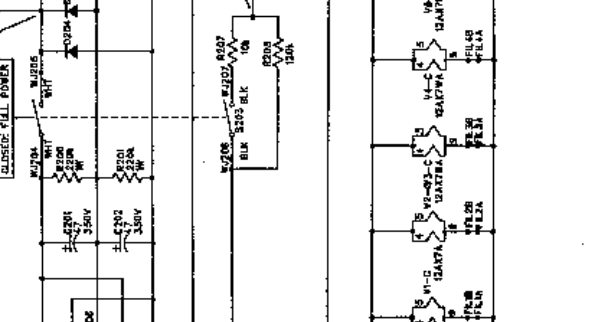
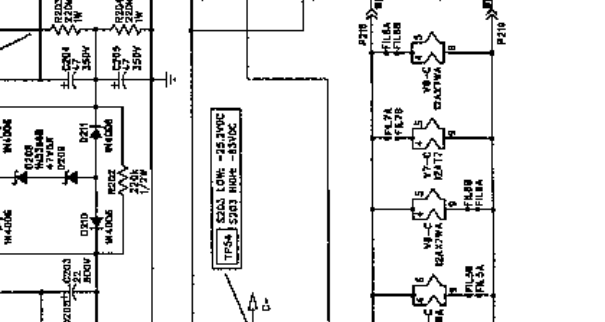
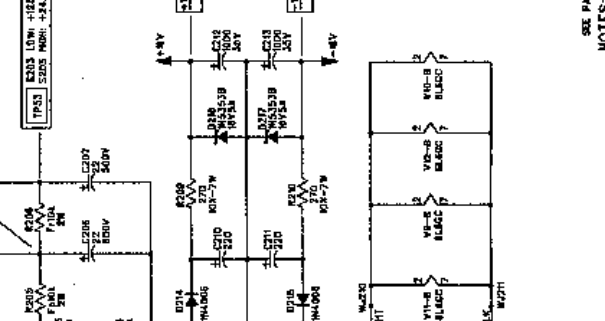
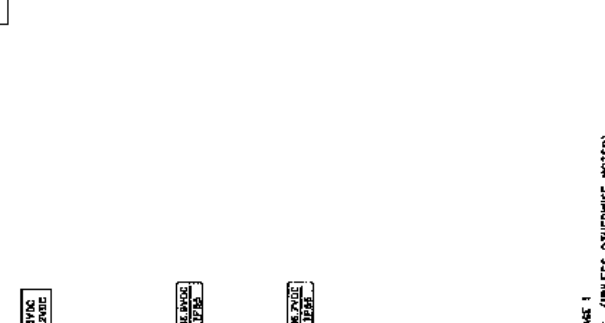
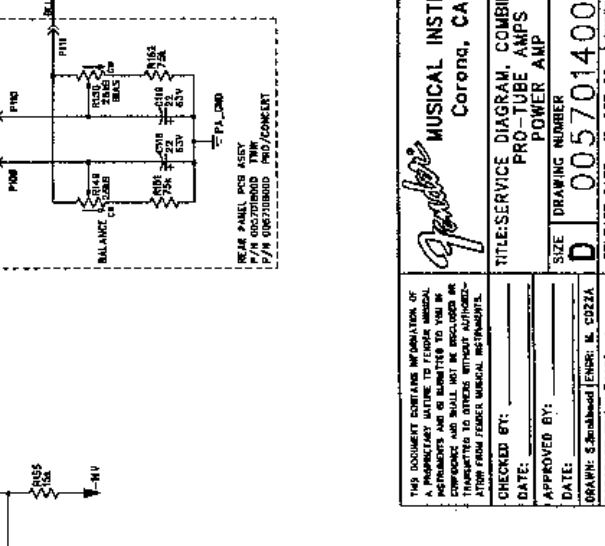
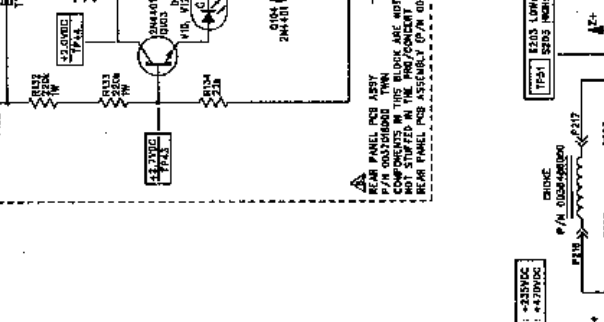
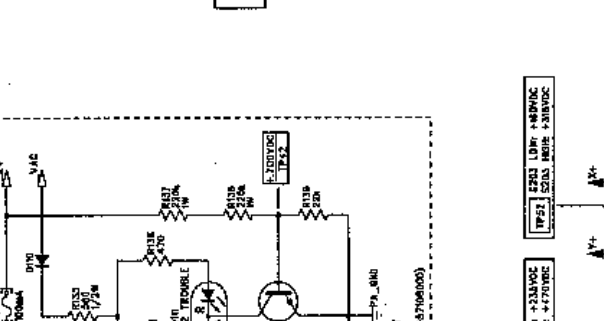
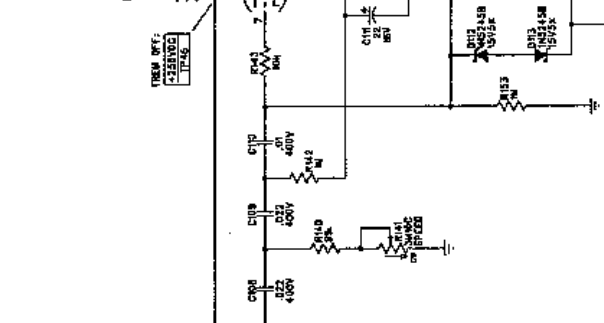
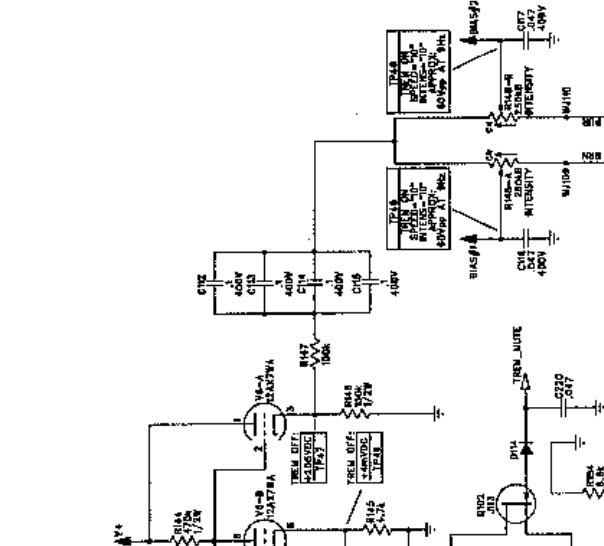
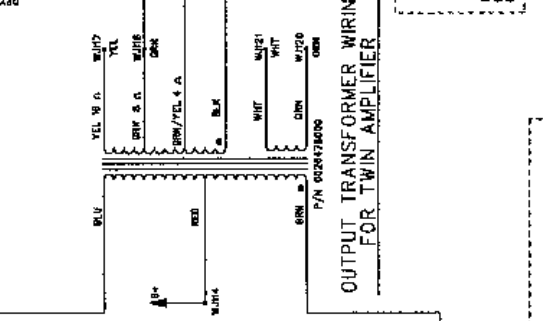
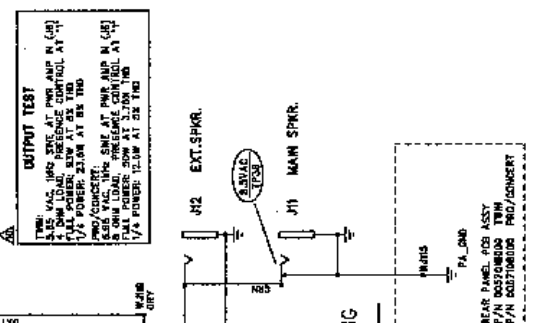
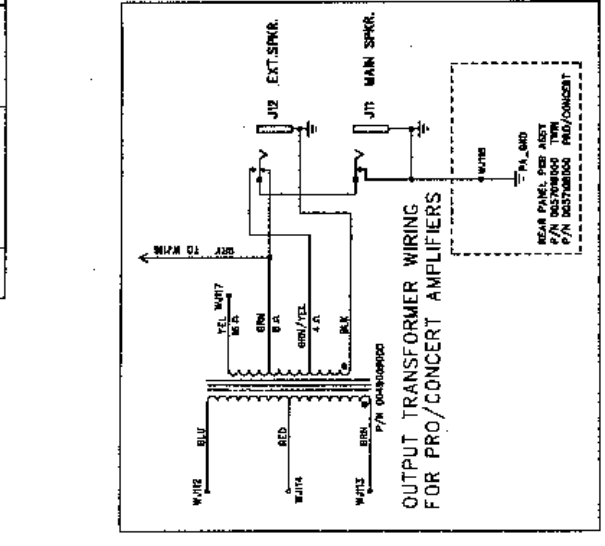
TITLE-SERVICE DIAGRAM, COMBINED (CONTINUED)
PRO-TUBE AMPS
PRE-AMP

DATE: _____
APPROVED BY: _____
DRAWN: S.M.B. (S.M.B.)
CHECKED BY: _____
DATE: _____

SIZE: D
DRAWING NUMBER: 0057014000
RELEASE DATE: 16-OCT-00 | SHEET: 1 OF 4

REV.	DESCRIPTION	DATE	APPROVED
A	PR448	16-OCT-00	S.M.B.
B	EC 2606	23-FEB-01	S.M.B.

1 2 3 4 5 6 7 8



MUSICAL INSTRUMENTS
Corona, CA USA

TITLE: SERVICE DIAGRAM, COMBINED (continued)
PRO-TUBE AMPS
POWER AMP

CHECKED BY: _____
DATE: _____

APPROVED BY: _____
DATE: _____

DRAWN: S. Stubbins (ENGR. N. 00224)
DATE: 16-OCT-00

SIZE: DRAWING NUMBER
D 005701400

REV. B

RELEASE DATE: 16-OCT-00 SHEET: 2 OF 4

NOTES: (UNLESS OTHERWISE NOTED)

1 2 3 4 5 6 7 8

REVISIONS			
REV.	DESCRIPTION	DATE	APPROVED
A	PR448	16-OCT-00	S.M.B.
B	EC 2606	23-FEB-01	S.M.B.

PART NUMBER		DESCRIPTION	
0057014000	PCB ASSY PRO/CONCERT REVERSE MAIN		
0057014000	PCB ASSY 17MM-AMP MAIN		

MUSICAL INSTRUMENTS
Corona, CA USA

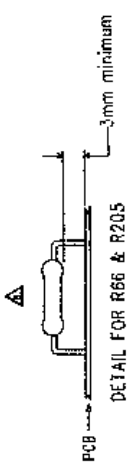
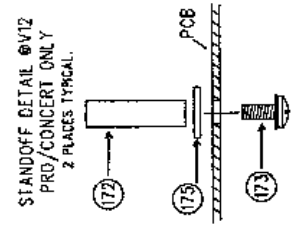
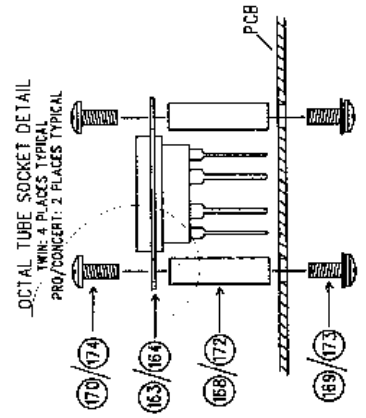
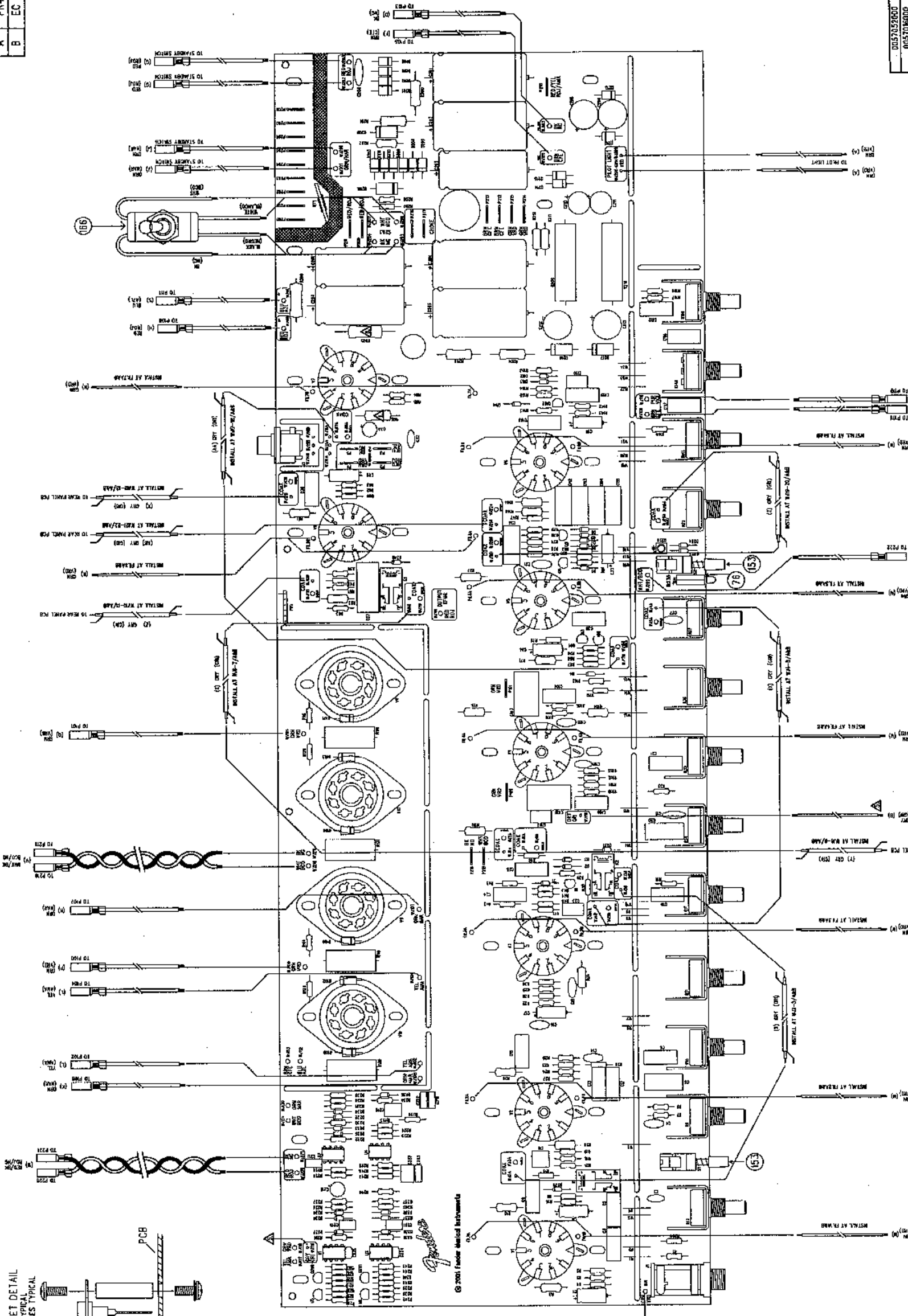
TITLE SERVICE DIAGRAM COMBINED (PCBassy)
PRO-TUBE AMPS
MAIN PCB

CHECKED BY: [Signature]
DATE: [Blank]
APPROVED BY: [Blank]
DATE: [Blank]
DRAWN BY: [Blank]
DATE: [Blank]
DATE/ISSUE FILE: 23-FEB-01

SIZE: D
DRAWING NUMBER: 0057014000
RELEASE DATE: 23-FEB-01
SHEET: 3 OF 4

THIS DOCUMENT CONTAINS INFORMATION OF A PROPRIETARY NATURE TO THE INSTRUMENT MANUFACTURER AND IS NOT TO BE REPRODUCED OR TRANSMITTED IN ANY FORM OR BY ANY MEANS, ELECTRONIC OR MECHANICAL, INCLUDING PHOTOCOPYING, RECORDING, OR BY ANY INFORMATION STORAGE AND RETRIEVAL SYSTEM, WITHOUT THE WRITTEN PERMISSION OF MUSICAL INSTRUMENTS.

NOTES: (UNLESS OTHERWISE NOTED)
1. USE ONLY THE NUMBERING SYSTEM TO IDENTIFY PARTS.
2. ALL DIMENSIONS ARE IN MILLIMETERS UNLESS OTHERWISE SPECIFIED.
3. DIMENSIONS ARE TO CENTER UNLESS OTHERWISE SPECIFIED.
4. THE FOLLOWING DIMENSIONS ARE NOT SHOWN IN THIS DRAWING:
a. ALL DIMENSIONS ARE TO CENTER UNLESS OTHERWISE SPECIFIED.
b. ALL DIMENSIONS ARE TO CENTER UNLESS OTHERWISE SPECIFIED.
c. ALL DIMENSIONS ARE TO CENTER UNLESS OTHERWISE SPECIFIED.
d. ALL DIMENSIONS ARE TO CENTER UNLESS OTHERWISE SPECIFIED.

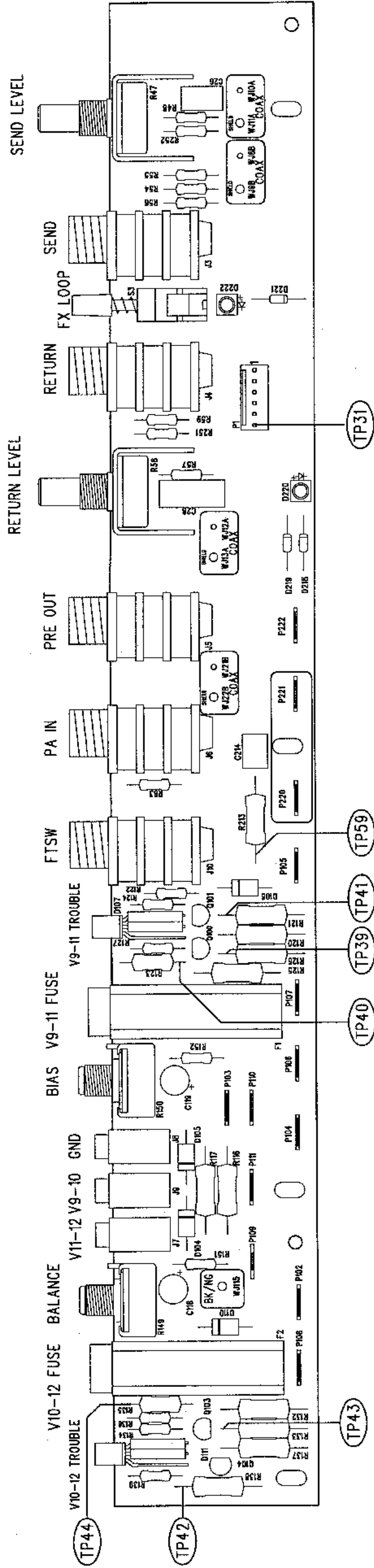


1 2 3 4 5 6 7 8

A B C D

REVISIONS

REV.	DESCRIPTION	DATE	APPROVED
A	PR 448	16-OCT-00	S.M.B.
B	EC 2606	23-FEB-01	S.M.B.



FILM/DWG: SERVICE DIAGRAM
 DATABASE: Z448P2.PCB DATE: 16-OCT-00

THIS DOCUMENT CONTAINS INFORMATION OF A PROPRIETARY NATURE TO FENDER MUSICAL INSTRUMENTS AND IS SUBMITTED TO YOU IN CONFIDENCE AND SHALL NOT BE DISCLOSED OR TRANSMITTED TO OTHERS WITHOUT AUTHORIZATION FROM FENDER MUSICAL INSTRUMENTS.

CHECKED BY: _____
 DATE: _____
 APPROVED BY: _____
 DATE: _____
 DRAWN: S.Bankhead ENGR: S.Bankhead
 DATABASE FILE: Z448P2.PCB

Fender
 MUSICAL INSTRUMENTS
 Corona, CA U.S.A.

TITLE: SERVICE DIAGRAM, COMBINED (PCB assy)
 PRO-TUBE AMPS
 REAR PANEL PCB

SIZE: B DRAWING NUMBER: 0057014000 REV. B
 RELEASE DATE: 16-OCT-00 SHEET 4 OF 4

2. SEE PAGE 1 FOR NOTES AND TEST CONDITIONS
 1. WIRES NOT SHOWN FOR CLARITY
 NOTES: (UNLESS OTHERWISE NOTED)