

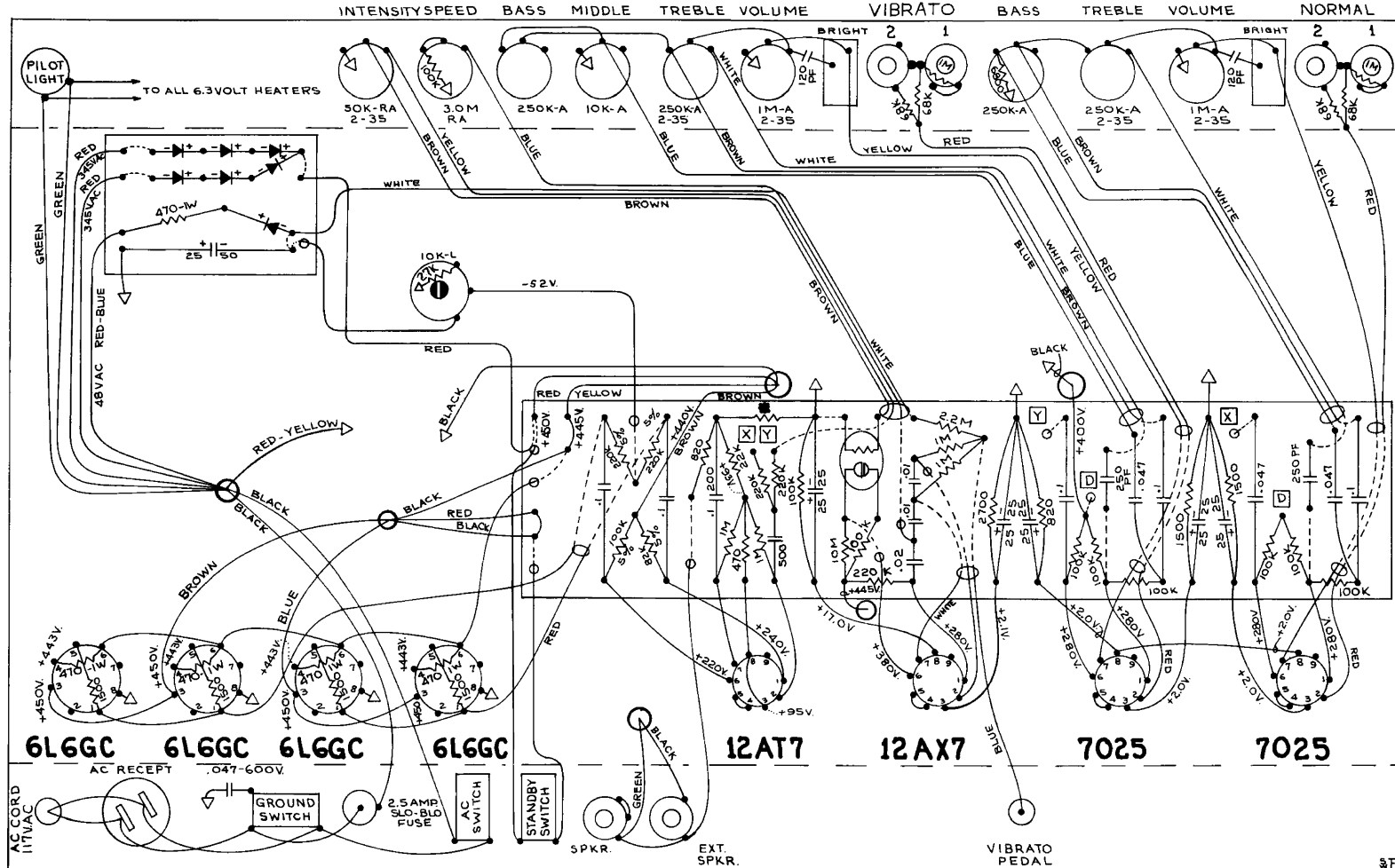
FENDER "SHOWMAN-AMP AB763" LAYOUT

P/B

C-FD

NOTICE

VOLTAGES READ TO GROUND WITH ELECTRONIC VOLTMETER VALUES SHOWN +OR -20%.



NOTE: ALL RESISTORS 1/2 WATT 10% TOLERANCE IF NOT SPECIFIED. NOTE: ALL CAPACITORS AT LEAST 400 VOLT RATING IF NOT SPECIFIED.

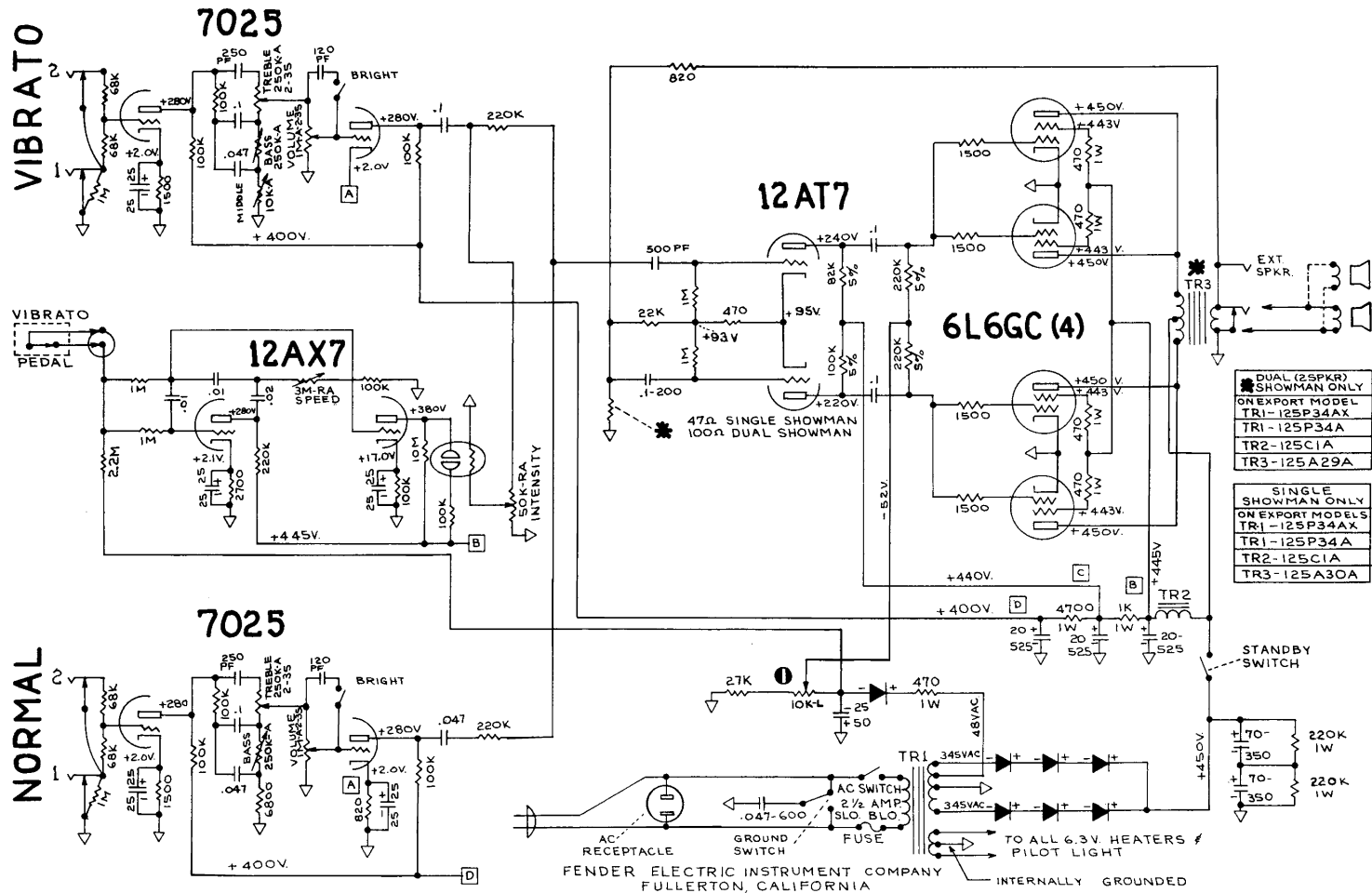
FENDER ELECTRIC INSTRUMENT COMPANY
FULLERTON, CALIFORNIA

FENDER MODEL "SHOWMAN-AMP AB763" SCHEMATIC $\frac{P}{B}$ NOTICE

THIS PRODUCT MANUFACTURED UNDER ONE OR MORE OF THE FOLLOWING U.S. PATENTS: #2817708, #2973681, 192859 PATENTS PENDING

- 1.-VOLTAGES READ TO GROUND WITH ELECTRONIC VOLTMEETER. VALUES SHOWN + OR - 2.0%.
- 2.-ALL RESISTORS 1/2 WATT 10% TOLERANCE IF NOT SPECIFIED.
- 3.-ALL CAPACITORS AT LEAST 400 VOLT RATING IF NOT SPECIFIED.

C-FD



<ul style="list-style-type: none"> ■ DUAL (25PKR) ■ SHOWMAN ONLY ON EXPORT MODEL TR1-125P34AX TR1-125P34A TR2-125C1A TR3-125A29A

<ul style="list-style-type: none"> ■ SINGLE SHOWMAN ONLY ON EXPORT MODELS TR1-125P34AX TR1-125P34A TR2-125C1A TR3-125A30A

FENDER ELECTRIC INSTRUMENT COMPANY
FULLERTON, CALIFORNIA

INTERNALLY GROUNDING