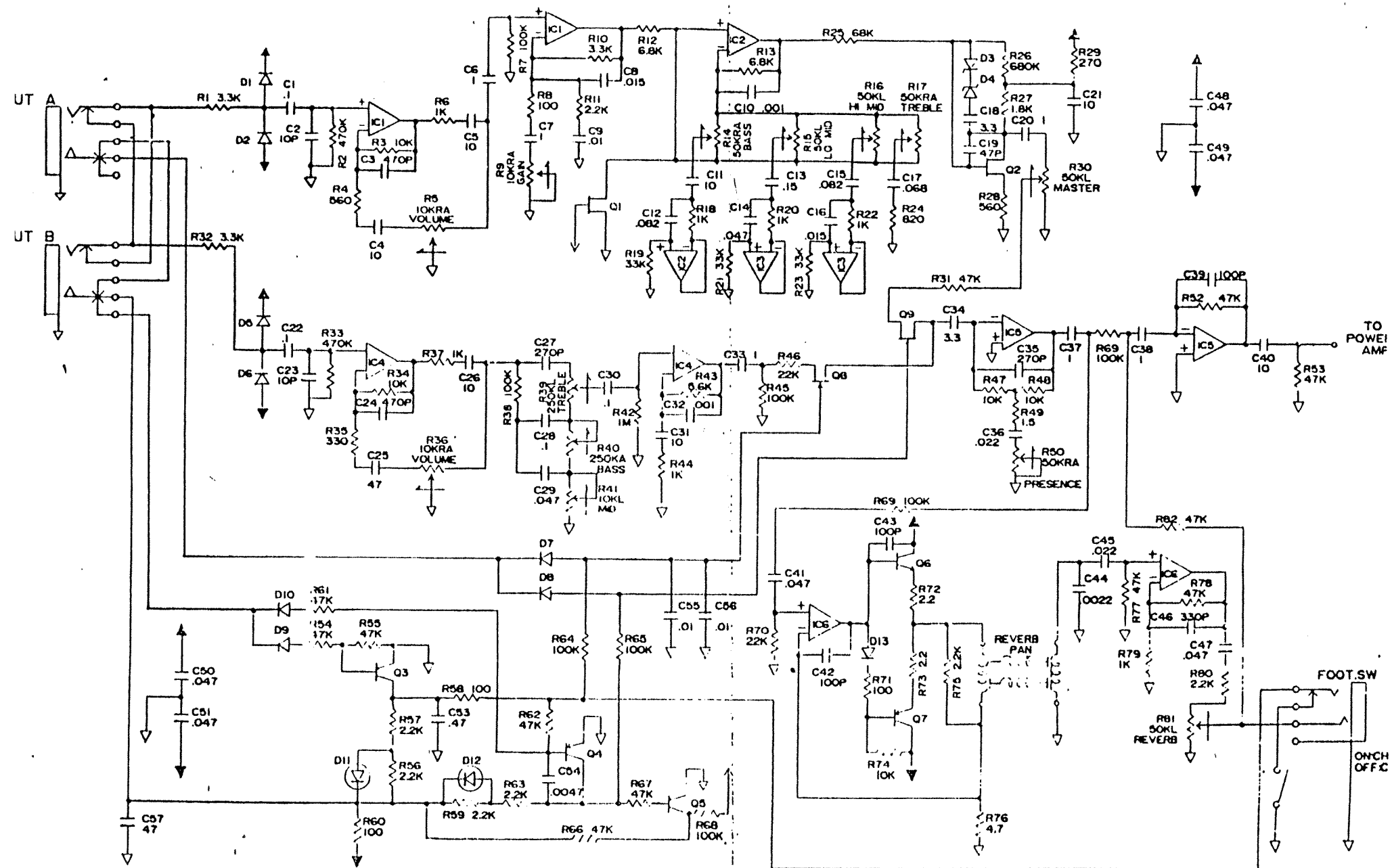
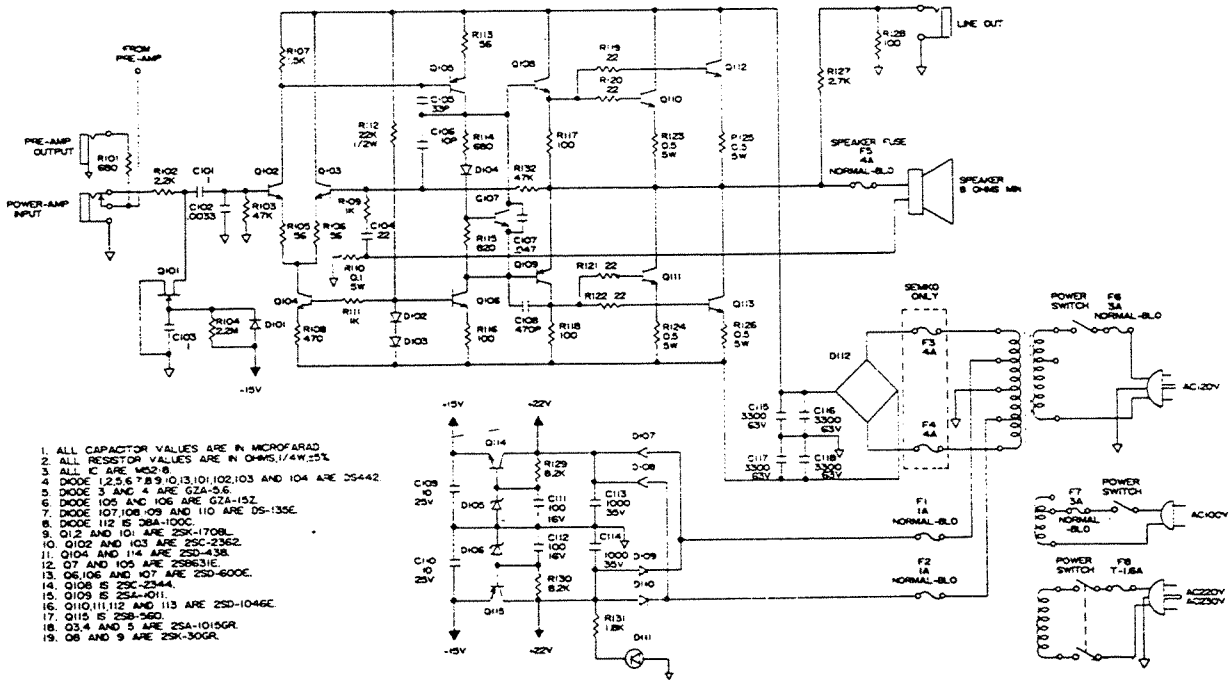
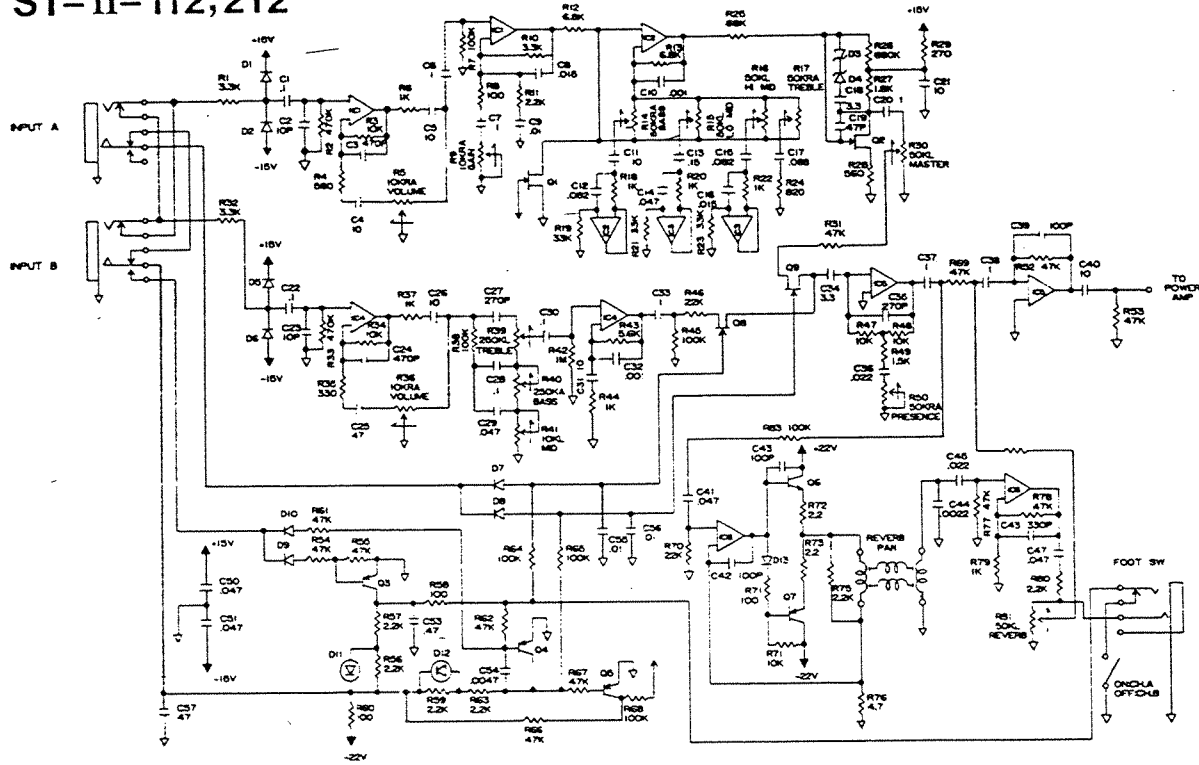


SCHMATIC-STAGE LEAD II-PRE



ST-II-112,212



1. ALL CAPACITOR VALUES ARE IN MICROFARAD
2. ALL RESISTOR VALUES ARE IN OHMS, 1/4W, 5%
3. ALL IC ARE MC32-B
4. DIODE 1,2,5,6,7,8,9,10,11,102,103 AND 104 ARE 2S442
5. DIODE 3 AND 4 ARE G2A-0.6
6. DIODE 105 AND 106 ARE G2A-152
7. DIODE 107,108,09 AND 110 ARE DS-135E
8. DIODE 112 IS 2BA-100C
9. Q12 AND 101 ARE 2SK-1708L
10. Q102 AND 103 ARE 25C-236Z
11. Q104 AND 114 ARE 25D-43B
12. Q7 AND 105 ARE 25B631C
13. Q6,106 AND 107 ARE 25D-600C
14. Q108 IS 25C-234A
15. Q109 IS 25A-011
16. Q110,111,112 AND 113 ARE 25D-1046C
17. Q115 IS 25B-56D
18. Q3,4 AND 5 ARE 25A-1015GR
19. Q6 AND 9 ARE 25K-30GR