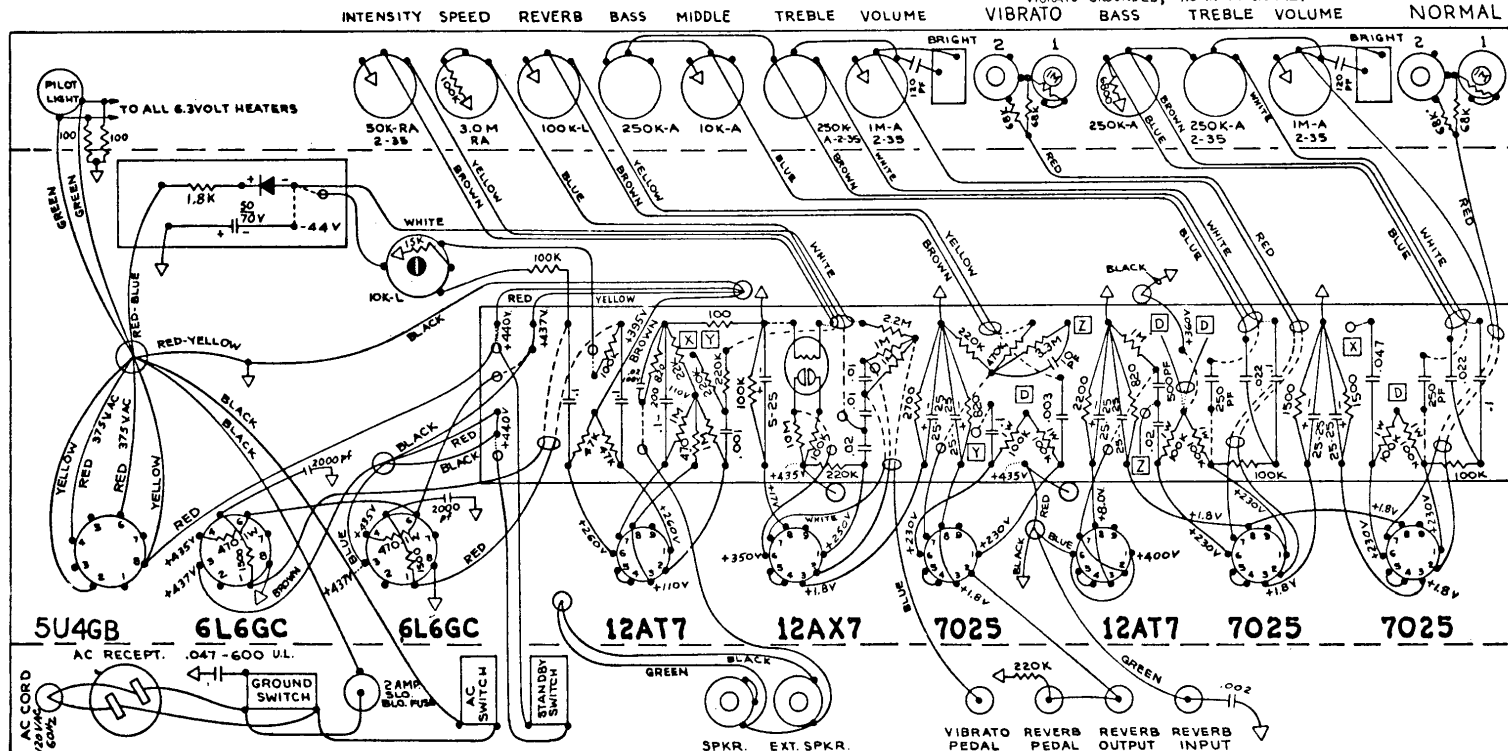


FENDER MODEL "SUPER REVERB-AMP AA1069" LAYOUT

NOTICE

VOLTAGES READ TO GROUND WITH ELECTRONIC VOLTMETER WITH VIBRATO-GROUNDED, NO INPUT SIGNAL.



NOTE: ALL RESISTORS 1/2 WATT 10% TOLERANCE, IF NOT SPECIFIED.

NOTE: ALL CAPACITORS AT LEAST 600 VOLT RATING IF NOT SPECIFIED.

FENDER MUSICAL INSTRUMENTS
 CBS MUSICAL INSTRUMENTS
 A DIVISION OF COLUMBIA BROADCASTING SYSTEMS INC.
 FULLERTON, CALIFORNIA
 U.S.A.

DRAWN F 10-13-69 DWG. TITLE
 APPROVED [Signature] 11-14-69 SCHEMATIC & WIRING DIAGRAM
 SUPER REVERB-AMP

D INCORPORATED ECO 1089	SIZE D	DWG. NO. 047746	REV D
C INCORPORATED ECO 1128	SCALE NONE	MODEL TUBE TYPE SUPER REVERB AMP	SHEET 2 OF 2
B INCORPORATED ECO 1048	AMPLIFIER T T		

SUPER REVERB AA1069

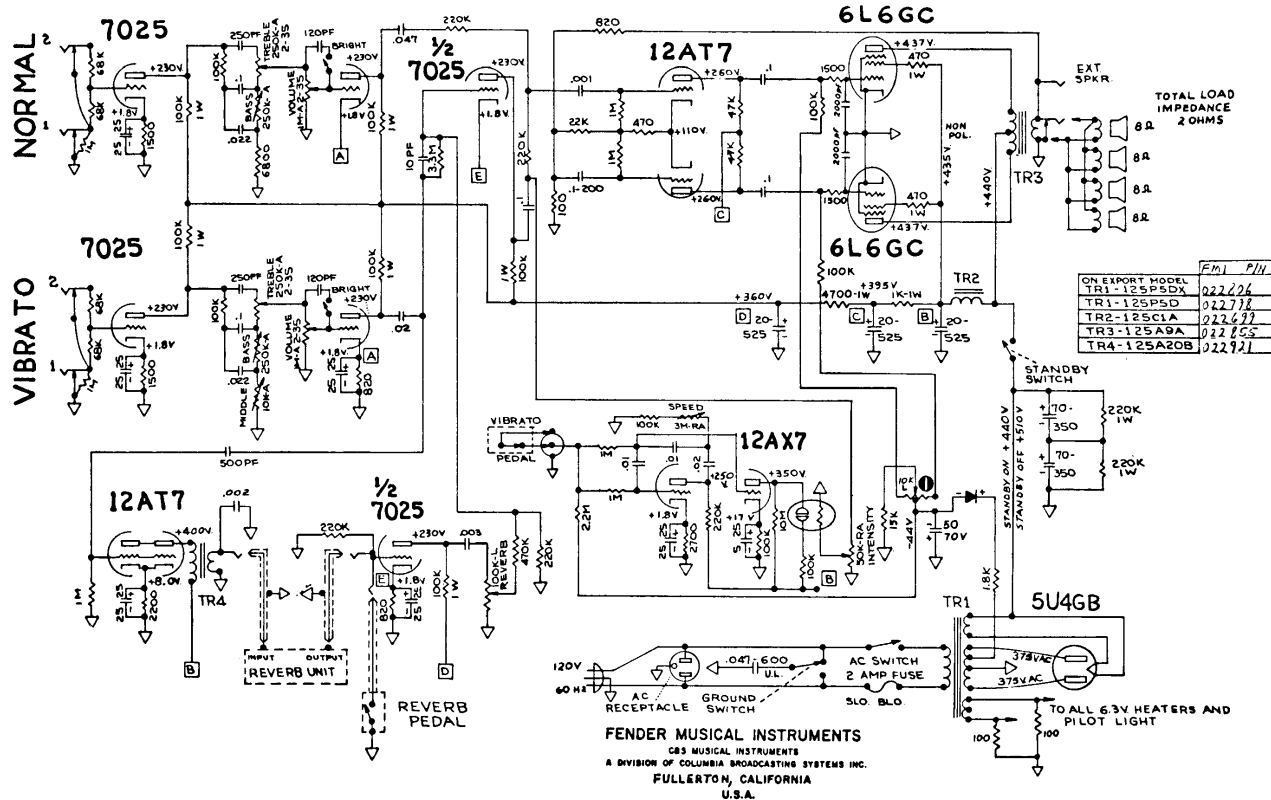
Fender

FENDER "SUPER-REVERB-AMP AA1069" SCHEMATIC MODEL

THIS PRODUCT MANUFACTURED UNDER ONE OR MORE OF THE FOLLOWING U.S. PATENTS -
 CIRCUIT PATENT # 2817108, # 2973681
 DESIGN PATENT # 192859
 PATENTS PENDING

NOTICE

- 1 - VOLTAGES READ TO GROUND WITH ELECTRONIC VOLTMETER.
- 2 - ALL RESISTORS 1/2 WATT 10% TOLERANCE IF NOT SPECIFIED.
- 3 - ALL CAPACITORS AT LEAST 400 VOLT RATING IF NOT SPECIFIED.
- 4 - ALL VOLTAGES READ WITH VIBRATO PEDAL GROUND AND NO INPUT SIGNAL.



TOTAL LOAD IMPEDANCE 2 OHMS

ON EXPORT MODEL	FINI	P/N
TR1 - 125P5DX		022776
TR1 - 125P5D		022778
TR2 - 125C1A		022677
TR3 - 125A9A		022855
TR4 - 125A20B		022721

FENDER MUSICAL INSTRUMENTS
 CBS MUSICAL INSTRUMENTS
 A DIVISION OF COLUMBIA BROADCASTING SYSTEMS INC.
 FULLERTON, CALIFORNIA
 U.S.A.

DRAWN R. T. 10-13-69	DWG TITLE SCHEMATIC & WIRING DIAGRAM SUPER REVERB-AMP																		
<table border="1"> <tr> <td>D</td> <td>INCORPORATED ECO 1629</td> <td>10/13/69</td> <td></td> </tr> <tr> <td>C</td> <td>INCORPORATED ECO 1721</td> <td>11/18/69</td> <td></td> </tr> <tr> <td>B</td> <td>INCORPORATED ECO 1808</td> <td>1/24/70</td> <td></td> </tr> </table>	D	INCORPORATED ECO 1629	10/13/69		C	INCORPORATED ECO 1721	11/18/69		B	INCORPORATED ECO 1808	1/24/70		<table border="1"> <tr> <td>SIZE</td> <td>DWG NO.</td> <td>REV.</td> </tr> <tr> <td>D</td> <td>047746</td> <td>D</td> </tr> </table>	SIZE	DWG NO.	REV.	D	047746	D
D	INCORPORATED ECO 1629	10/13/69																	
C	INCORPORATED ECO 1721	11/18/69																	
B	INCORPORATED ECO 1808	1/24/70																	
SIZE	DWG NO.	REV.																	
D	047746	D																	
SCALE: NONE	MODEL: TUBE TYPE SUPER REVERB AMP	SHEET 1 OF 2																	

AMPLIFIER TT