

TREMOLUX 6G9-A

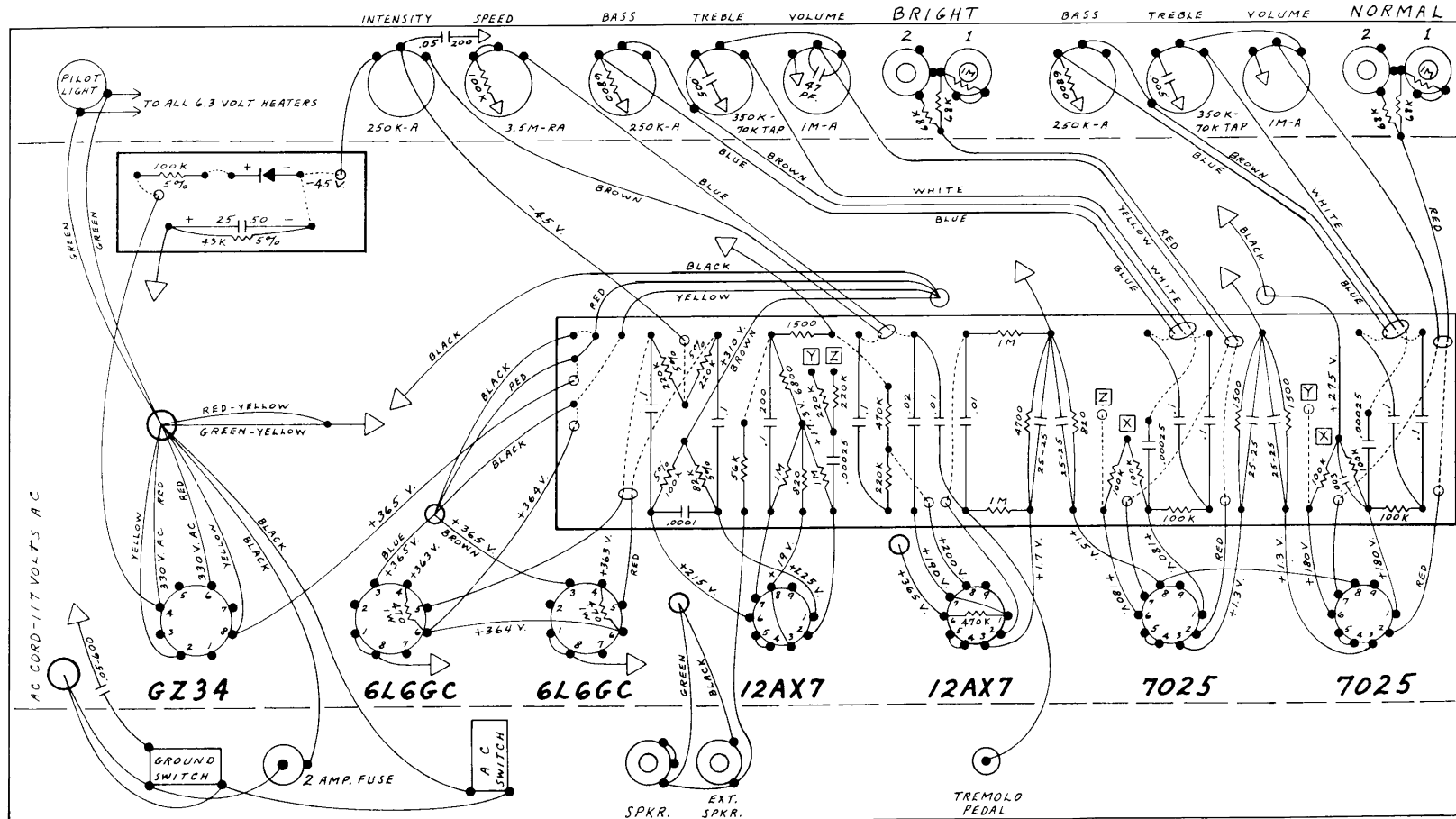
Fender

FENDER "TREMOLUX" LAYOUT MODEL 6G9-A

H-FA

NOTICE

VOLTAGES READ TO GROUND WITH ELECTRONIC
VOLTMETER. VALUES SHOWN + OR - 20%.



NOTE - ALL RESISTORS 1/2 WATT, 10% TOLERANCE IF NOT SPECIFIED.

NOTE - ALL CAPACITORS AT LEAST 400 VOLT RATING IF NOT SPECIFIED.

FENDER MUSICAL INSTRUMENTS

A DIVISION OF COLUMBIA RECORDS DISTRIBUTION CORP.

SANTA ANA, CALIFORNIA

U.S.A.

FENDER "TREMOLUX" SCHEMATIC MODEL 6G9-A

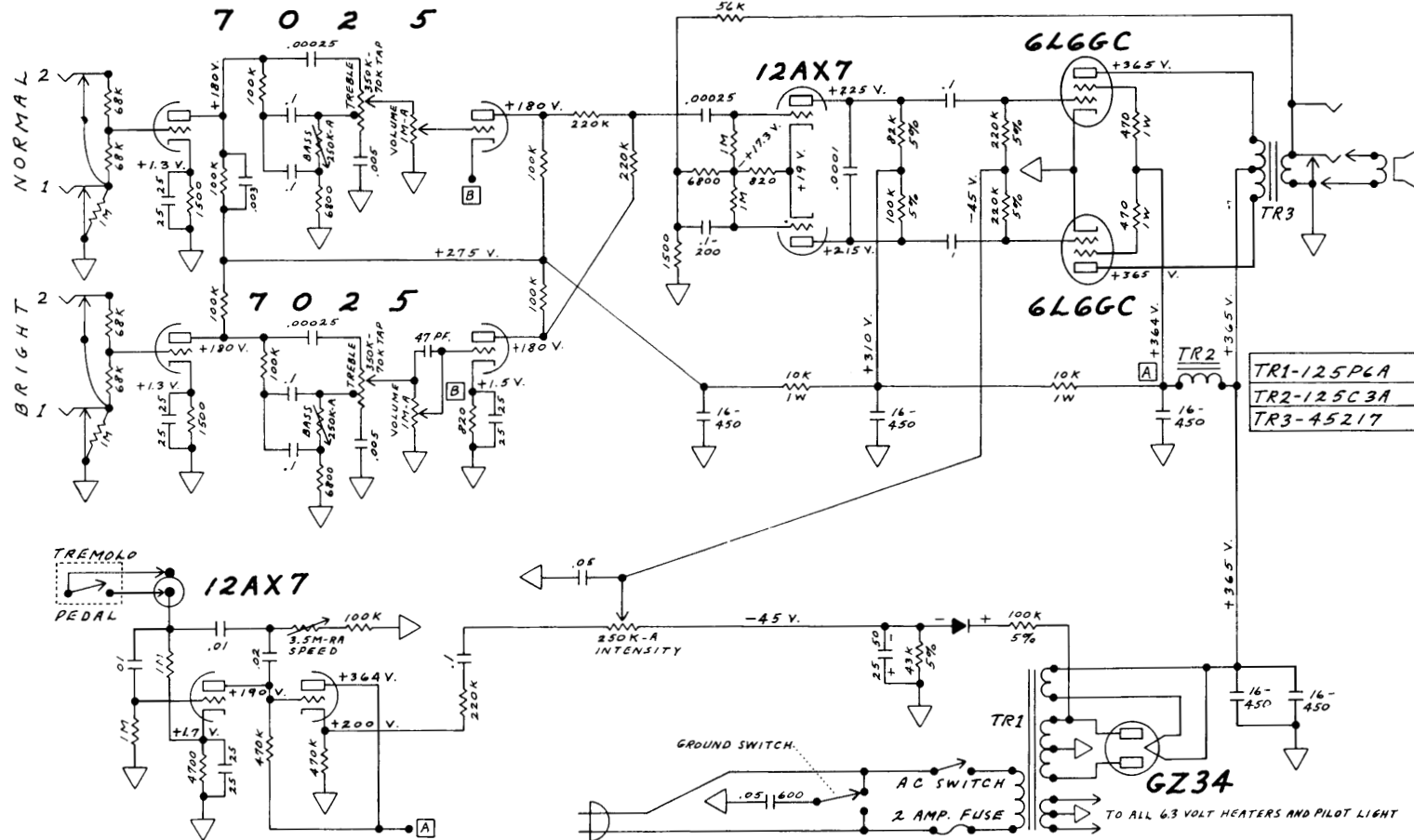
P/B

H-FA

CIRCUIT PATENT #2817708

NOTICE

- 1- VOLTAGES READ TO GROUND WITH ELECTRONIC VOLTMETER. VALUES SHOWN + OR - 20%.
- 2- ALL RESISTORS 1/2 WATT, 10% TOLERANCE IF NOT SPECIFIED.
- 3- ALL CAPACITORS AT LEAST 400 VOLT RATING IF NOT SPECIFIED.



TR1-125P6A
TR2-125C3A
TR3-45217

FENDER MUSICAL INSTRUMENTS
 A DIVISION OF COLUMBIA RECORDS DISTRIBUTION CORP.
 SANTA ANA, CALIFORNIA
 U.S.A.