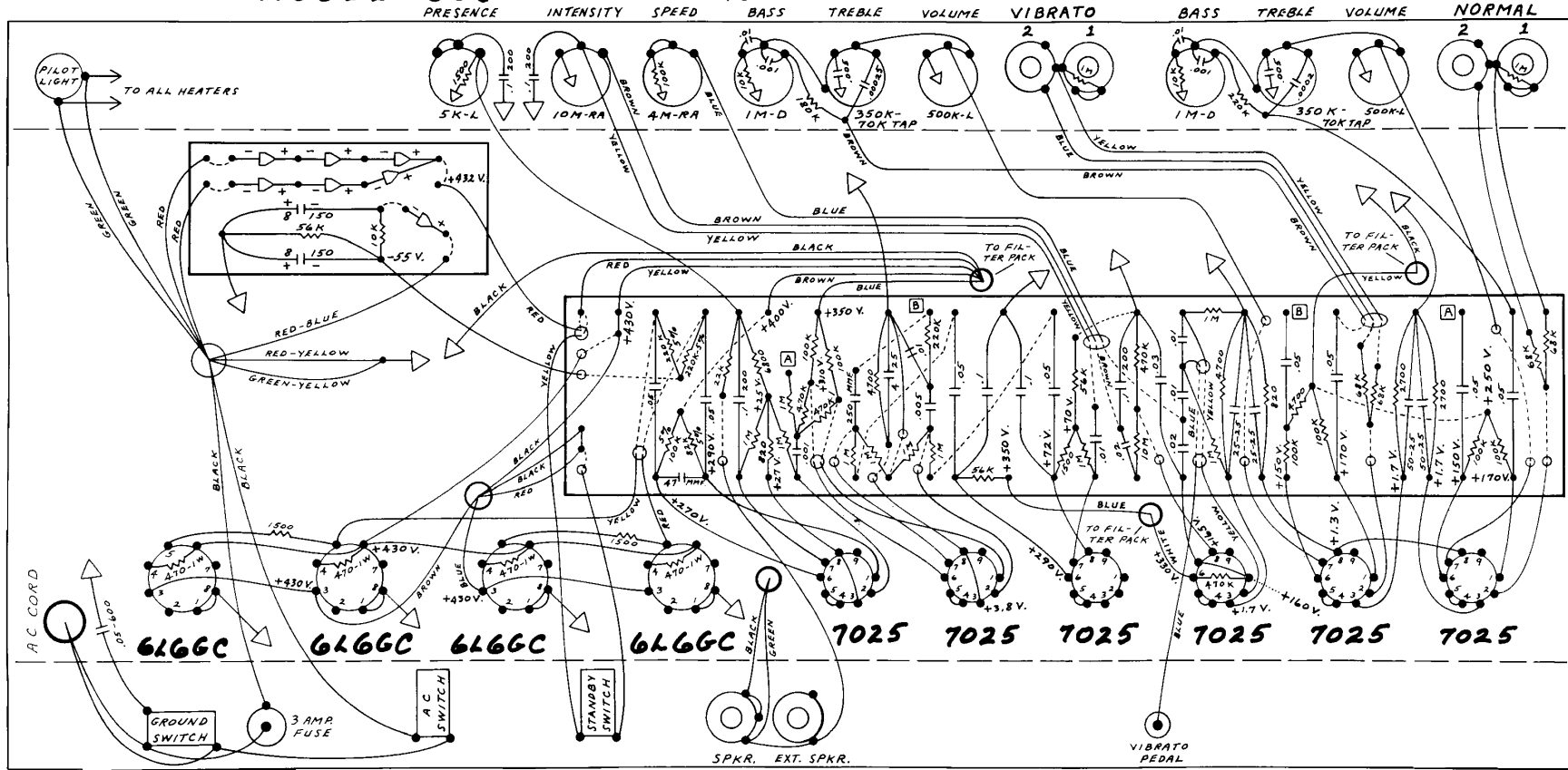


FENDER "TWIN-AMP" LAYOUT

MODEL 6G8

NOTICE
VOLTAGES READ TO GROUND WITH ELECTRONIC
VOLTMETER. VALUES SHOWN + OR - 20%



NOTE-ALL RESISTORS 1/2 WATT, 10% TOLERANCE, UNLESS SPECIFIED

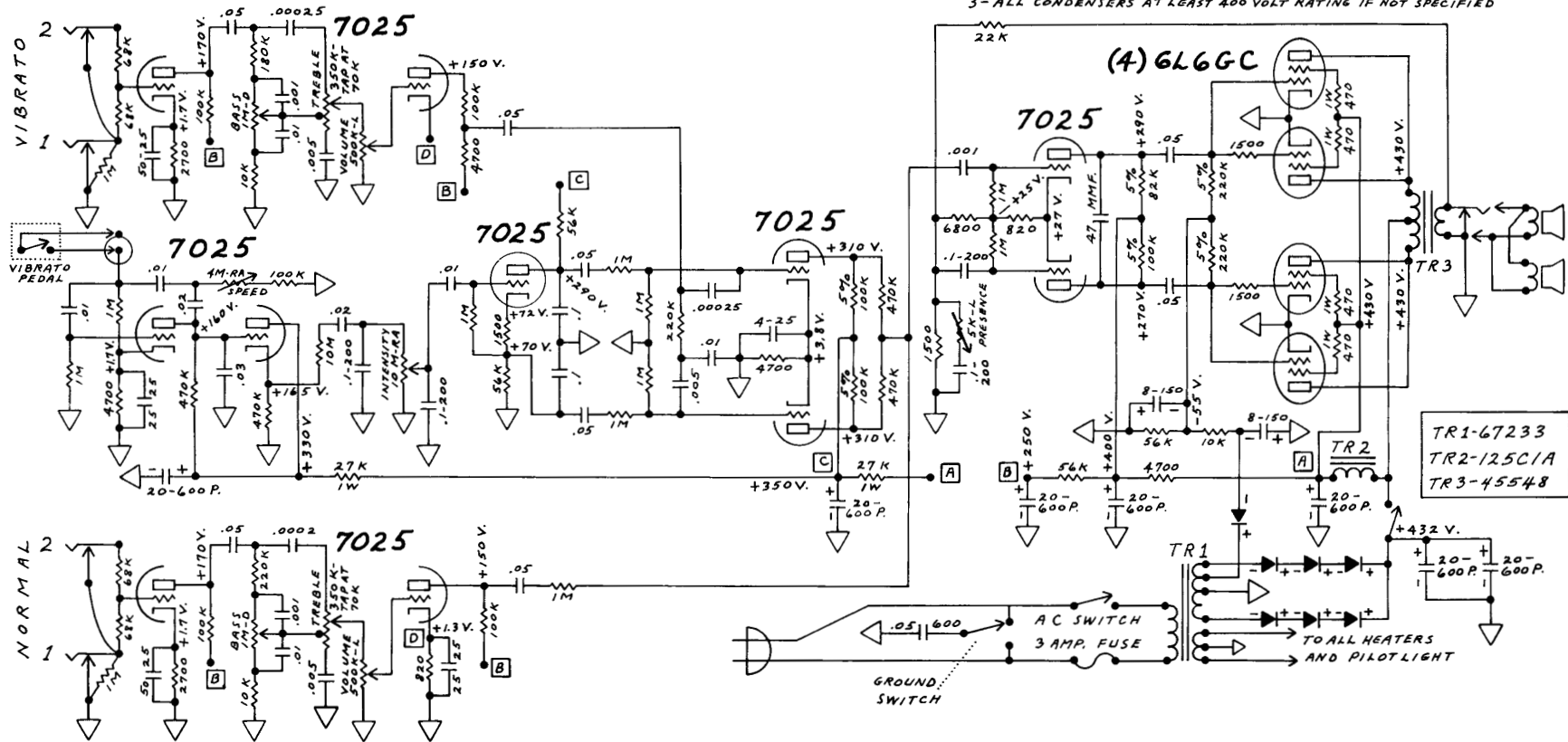
NOTE-ALL CAPACITORS AT LEAST 400 VOLT RATING UNLESS SPECIFIED

FENDER "TWIN-AMP" SCHEMATIC MODEL 6G8

F-FJ

NOTICE

- 1- VOLTAGES READ TO GROUND WITH ELECTRONIC VOLTMETER. VALUES SHOWN \pm OR $- 20\%$
- 2- ALL RESISTORS $\frac{1}{2}$ WATT, 10% TOLERANCE IF NOT SPECIFIED
- 3- ALL CONDENSERS AT LEAST 400 VOLT RATING IF NOT SPECIFIED



TR1-67233
TR2-125C1A
TR3-45548