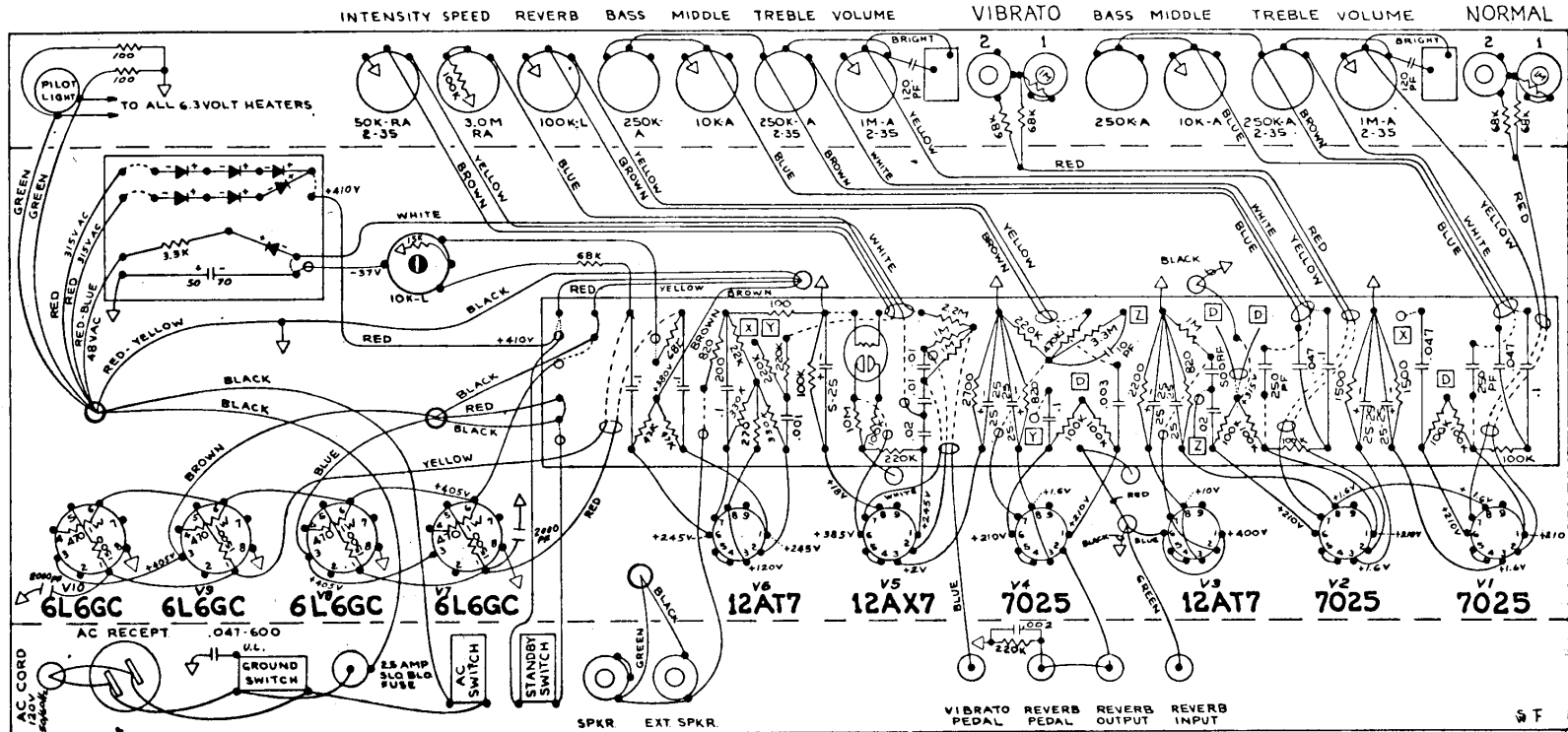


TWIN REVERB AA769

Fender

FENDER "TWIN REVERB-AMP AA769" LAYOUT MODEL

NOTICE
VOLTAGES READ TO GROUND WITH V.T.V.M.



NOTE: ALL RESISTORS 1/2 WATT 10% TOLERANCE, IF NOT SPECIFIED

NOTE: ALL CAPACITORS AT LEAST 400 VOLT RATING IF NOT SPECIFIED.

FENDER MUSICAL INSTRUMENTS
CBS MUSICAL INSTRUMENTS
A DIVISION OF COLUMBIA BROADCASTING SYSTEMS INC.
FULLERTON, CALIFORNIA
U.S.A.

DWN.	F.T.	DATE	MUSICAL INSTRUMENTS SANTA ANA, CALIFORNIA
CHK.		DATE	
APPD.		DATE	
APPD.		DATE	
APPD.		DATE	DWG. TITLE SCHEMATIC & WIRING DIAGRAM-TWIN REVERB, TUBE TYPE
APPROVAL-	REL. NO.	SIZE	DWG. NO. 045377
			REV. D
D INCORPORATED ECO #1187 10-1-61 C INCORPORATED ECO #1183 5-29-61	APPROVAL-	SCALE AS SHOWN	MODEL TWIN REVERB- AMP TUBE TYPE

APPROVAL-
8-28-61

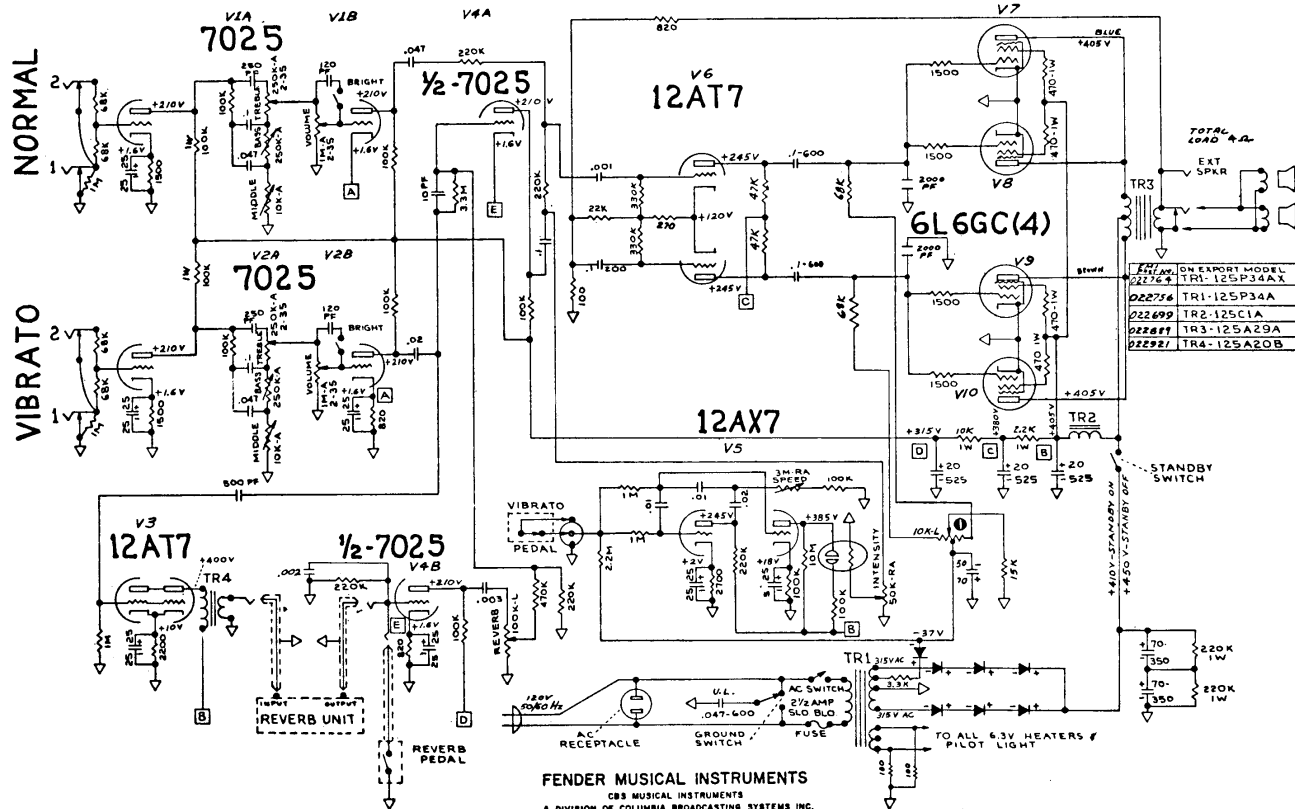
SHEET 2 OF 2

"TWIN REVERB-AMP AA769" SCHEMATIC NOTICE

THIS PRODUCT MANUFACTURED UNDER ONE OR MORE OF THE FOLLOWING U.S. PATENTS:
 # 2,611,708, #2,973,681, 192,859 / PATENTS PENDING.

1 - VOLTAGES READ TO GROUND WITH V.T.V.M.

2 - ALL RESISTORS 1/2 WATT 10% TOLERANCE IF NOT SPECIFIED
 3 - ALL CAPACITORS AT LEAST 400 VOLT RATING IF NOT SPECIFIED
 4 - VOLTAGES MEASURED WITH VIBRATO PEDAL GROUNDING TO CHASSIS.



FENDER MUSICAL INSTRUMENTS
 CBS MUSICAL INSTRUMENTS
 A DIVISION OF COLUMBIA BROADCASTING SYSTEMS INC.
 FULLERTON, CALIFORNIA
 U.S.A.

DWN	F.T.	REV	730-69	MUSICAL INSTRUMENTS SANTA ANA, CALIFORNIA
CHK		REV		
APPD		REV		
APPD		REV		
APPD		REV		DWG. TITLE SCHEMATIC & WIRING DIAGRAM - TWIN REVERB TUBE TYPE
APPROVAL		REL. NO.		DWG. NO. D 045377
APPROVAL		SCALE		REV. D

D 11-20-67 2-1 EGO MSL 10/11 10/12
 C INCORPORATED EGO #1063 5-2-68

APPROVAL 8-28-67
 SCALE MODEL TWIN REVERB-AMP SHEET 1 OF 2