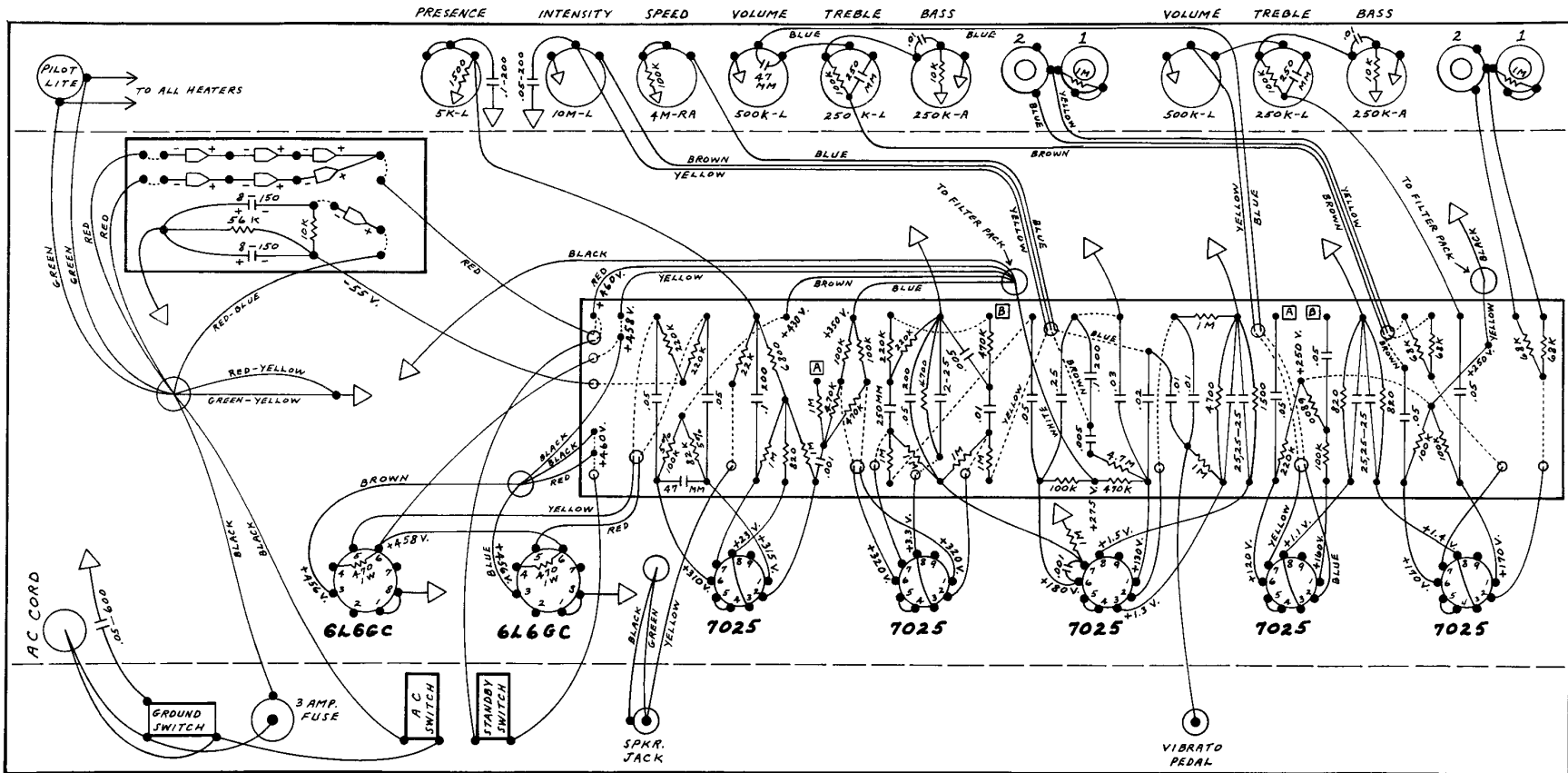


FENDER "VIBRASONIC" LAYOUT MODEL 5G13

A-FJ

NOTICE

VOLTAGES READ TO GROUND WITH ELECTRONIC
VOLTMETER. VALUES SHOWN + OR - 20%



NOTE - ALL RESISTORS 1/2 WATT, 10% TOLERANCE UNLESS SPECIFIED

NOTE - ALL CAPACITORS AT LEAST 400 VOLT RATING UNLESS SPECIFIED

FENDER "VIBRASONIC" SCHEMATIC

MODEL 5G13

A-FJ

NOTICE

- 1- VOLTAGES READ TO GROUND WITH ELECTRONIC VOLTMETER. VALUES SHOWN + OR -
- 2- ALL RESISTORS 1/2 WATT IF NOT SPECIFIED
- 3- ALL CONDENSERS AT LEAST 400 VOLTS IF NOT SPECIFIED

