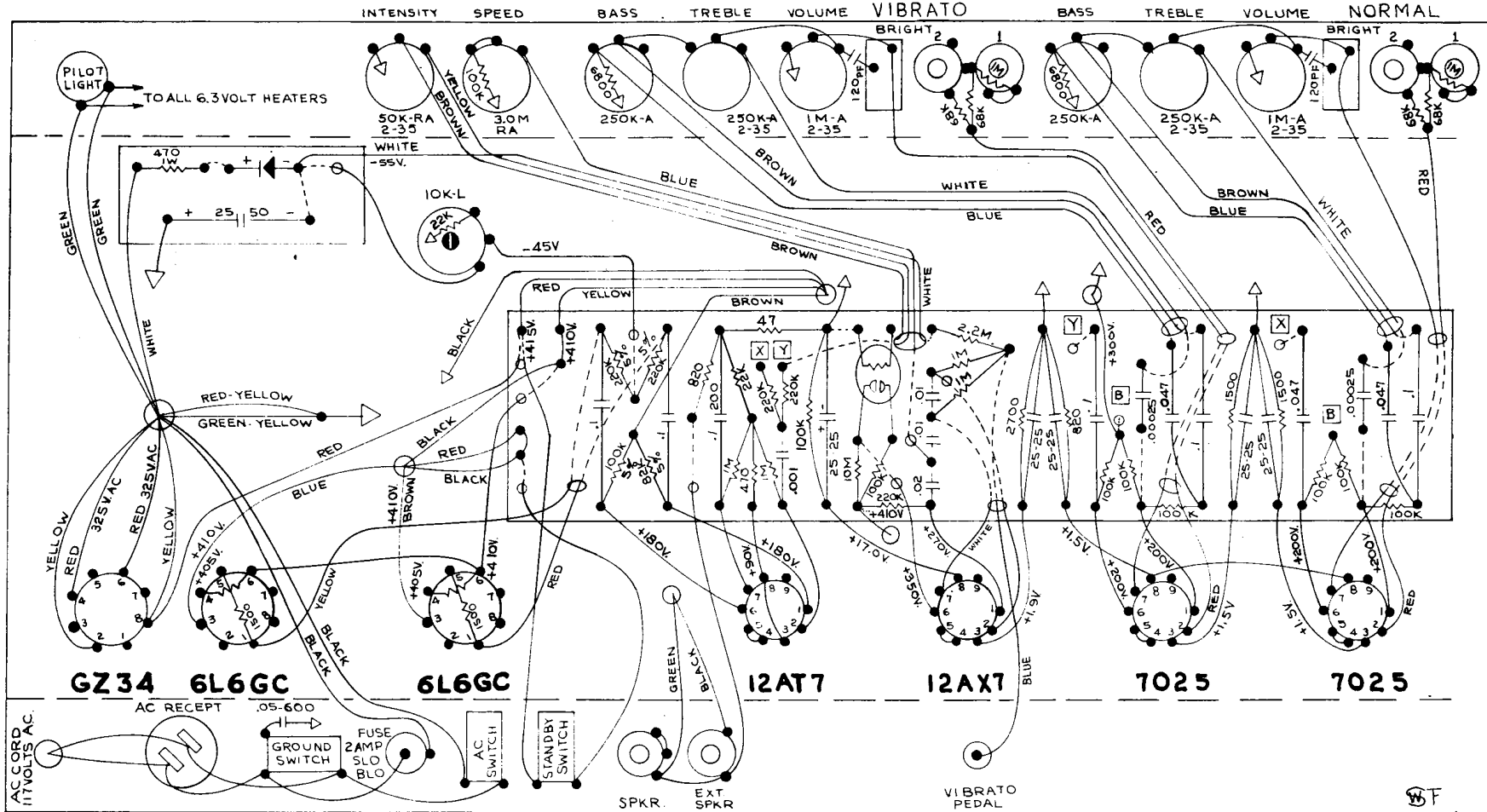


FENDER "VIBROLUX-AMP AB763" LAYOUT C-FD

NOTICE
VOLTAGES READ TO GROUND WITH ELECTRONIC
VOLTMETER VALUES SHOWN + OR - 20 %



NOTE: ALL RESISTORS 1/2 WATT, 10% TOLERANCE IF NOT SPECIFIED

NOTE: ALL CAPACITORS AT LEAST 400 VOLT RATING IF NOT SPECIFIED

FENDER
ELECTRIC INSTRUMENT COMPANY
FULLERTON, CALIFORNIA
U.S.A.

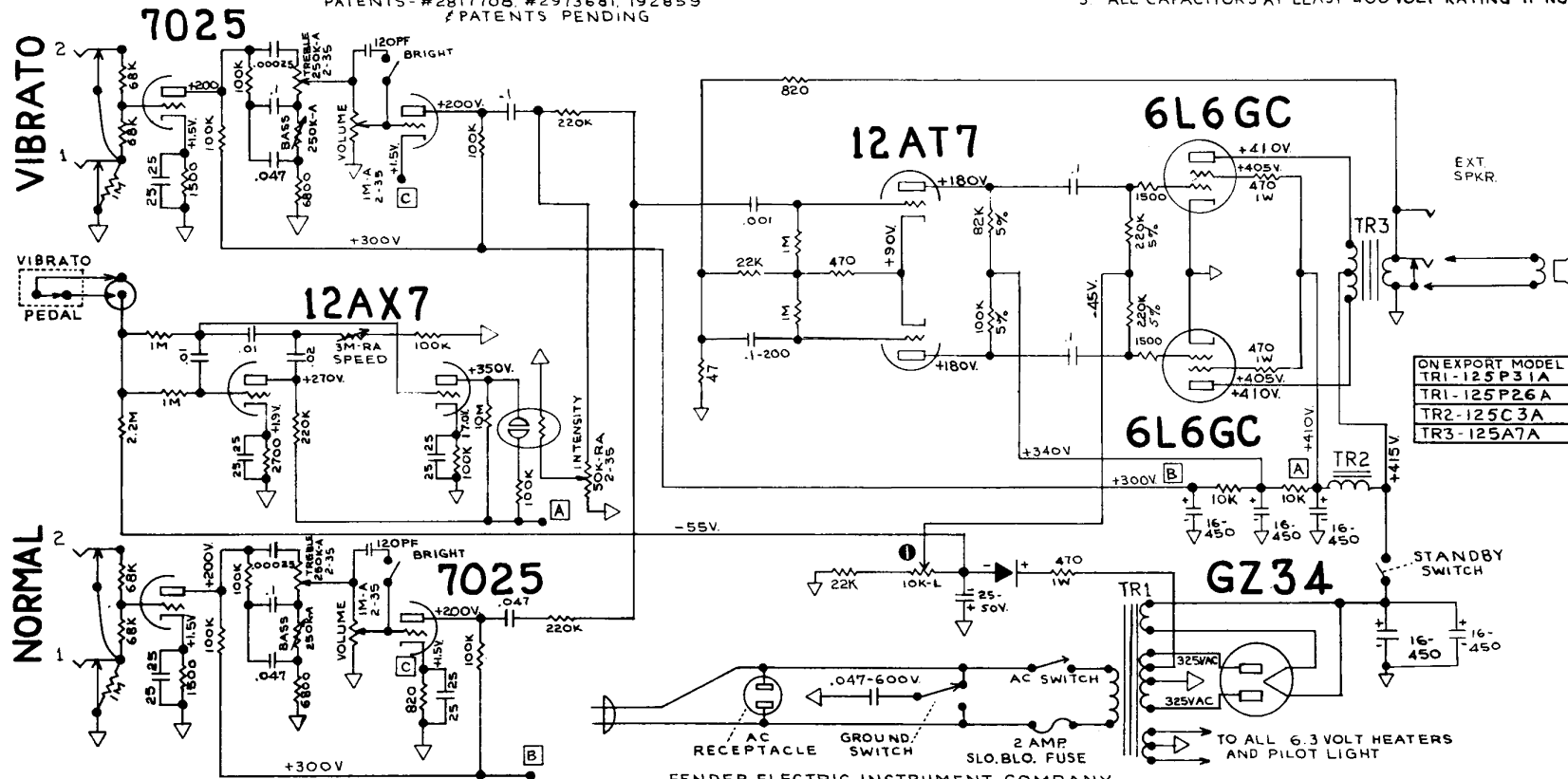
FENDER "VIBROLUX-AMP AB763" SCHEMATIC
MODEL

NOTICE

THIS PRODUCT MANUFACTURED UNDER
ONE OR MORE OF THE FOLLOWING U.S.
PATENTS - #2817708, #2973681, 192859
PATENTS PENDING

C-FD

- 1 - VOLTAGES READ TO GROUND WITH ELECTRONIC
VOLTMETER VALUES SHOWN + OR - 20%
- 2 - ALL RESISTORS 1/2 WATT, 10% TOLERANCE IF NOT SPECIFIED
- 3 - ALL CAPACITORS AT LEAST 400 VOLT RATING IF NOT SPECIFIED



ON EXPORT MODEL
TR1-125P31A
TR2-125C3A
TR3-125A7A

FENDER ELECTRIC INSTRUMENT COMPANY
FULLERTON, CALIFORNIA
U.S.A.