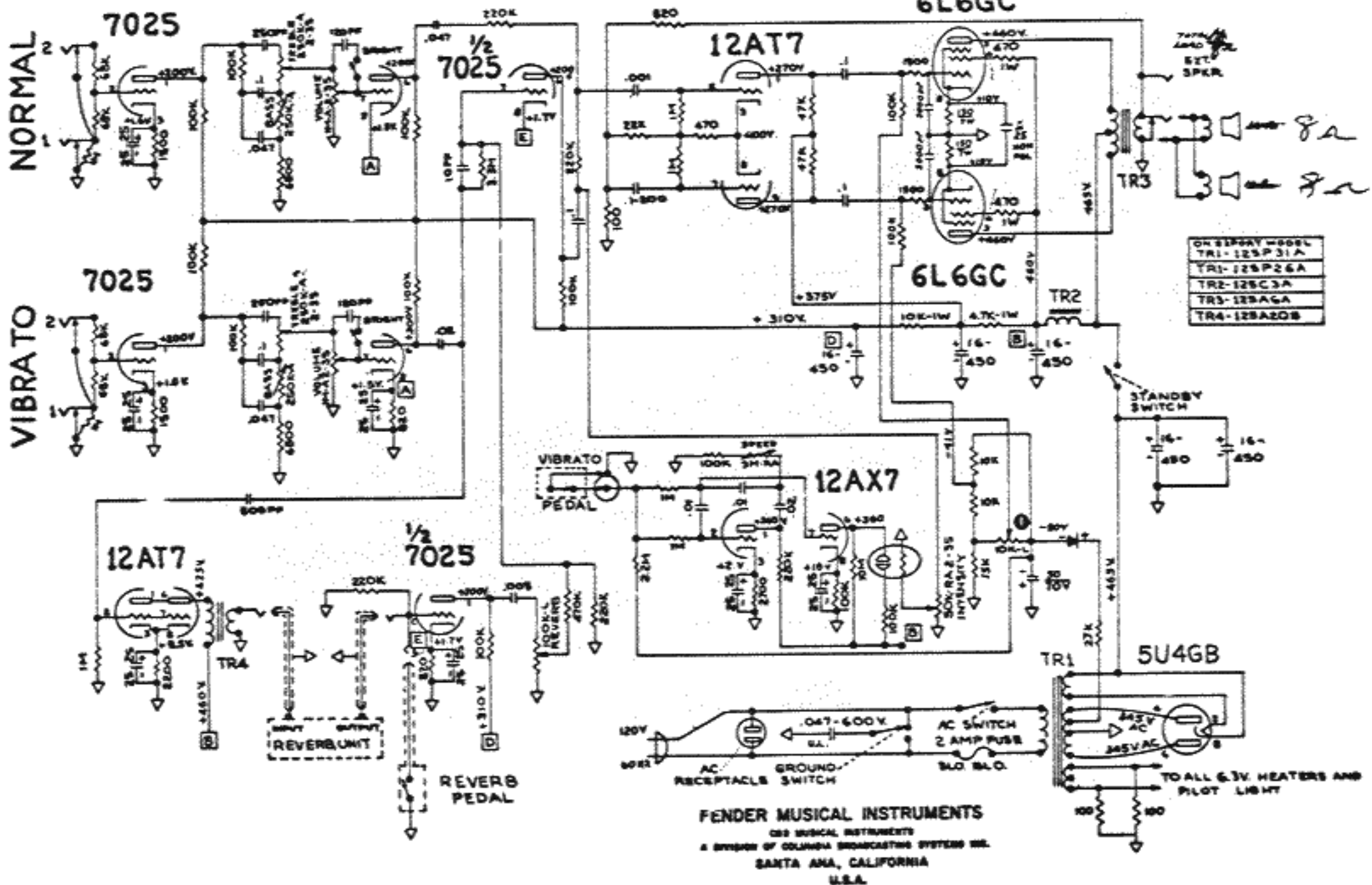


# FENDER "VIBROLUX REVERB-AMP AB 568" SCHEMATIC

NOTICE

THIS PRODUCT MANUFACTURED UNDER ONE OR MORE OF THE FOLLOWING U.S. PATENTS: #2817708, #2978481, 192839 / PATENTS PENDING.

- 1- VOLTAGES READ TO GROUND WITH ELECTRONIC VOLTMETER. VALUES SHOWN + OR - 20%.
- 2- ALL RESISTORS 1/2 WATT 10% TOLERANCE IF NOT SPECIFIED.
- 3- ALL CAPACITORS AT LEAST 400 VOLT RATING IF NOT SPECIFIED.
- 4- VIBRATO GROUNDING



FENDER MUSICAL INSTRUMENTS  
 CBS MUSICAL INSTRUMENTS  
 A DIVISION OF COLUMBIA BROADCASTING SYSTEMS INC.  
 SANTA ANA, CALIFORNIA  
 U.S.A.

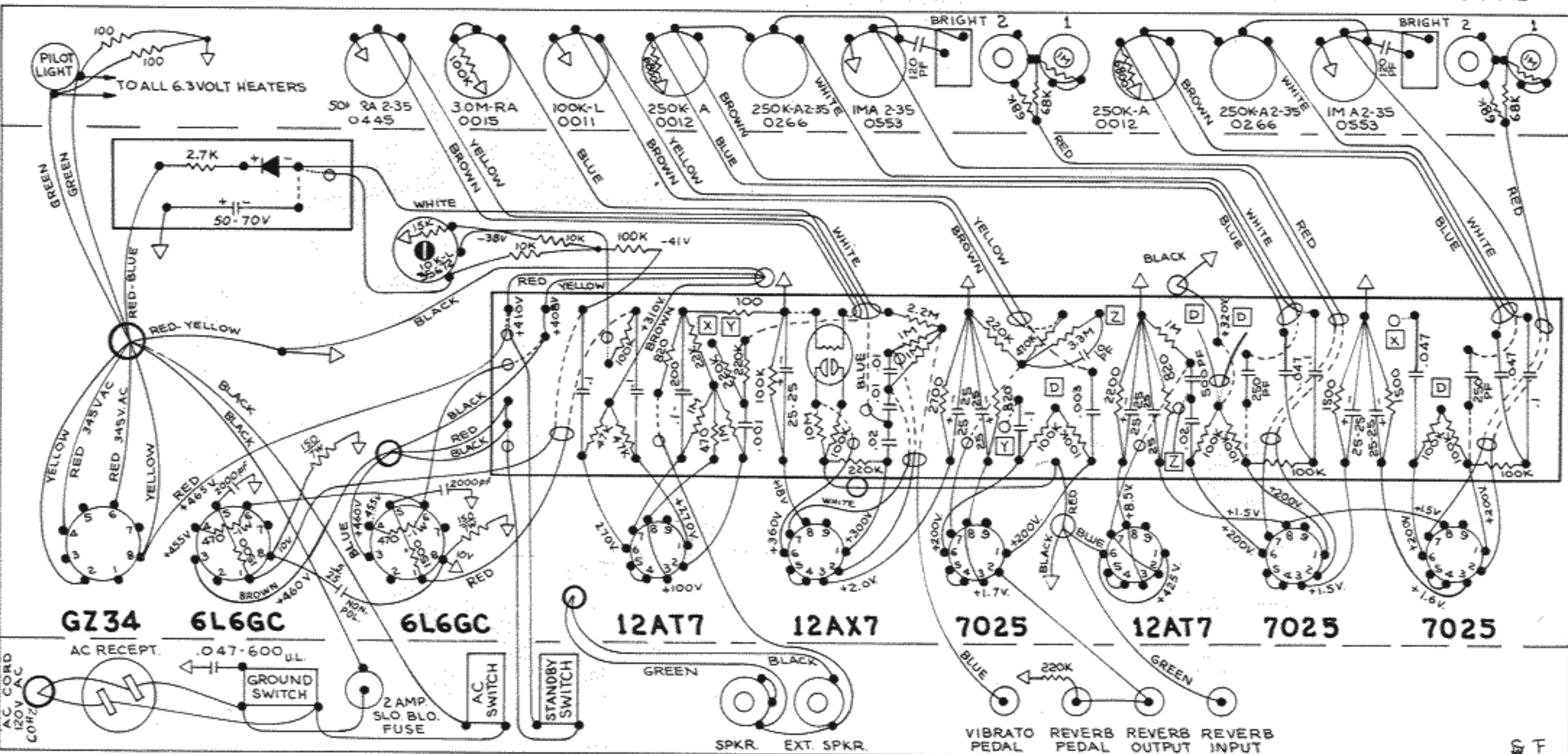
# FENDER MODEL

# "VIBROLUX REVERB-AMP AB 568" LAYOUT

## NOTICE

VOLTAGES READ TO GROUND WITH ELECTRONIC VOLTMETER. VALUES SHOWN + OR - 20%. VOLTAGES MEASURED WITH VIBRATO PEDAL GROUNDING

INTENSITY SPEED REVERB BASS TREBLE VOLUME VIBRATO BASS TREBLE VOLUME NORMAL



NOTE: ALL RESISTORS 1/2 WATT 10% TOLERANCE, IF NOT SPECIFIED.

NOTE: ALL CAPACITORS AT LEAST 400 VOLT RATING IF NOT SPECIFIED.

FENDER MUSICAL INSTRUMENTS

CBS MUSICAL INSTRUMENTS  
A DIVISION OF COLUMBIA BROADCASTING SYSTEMS INC.  
SANTA ANA, CALIFORNIA  
U.S.A.

045443 REV B